

Features

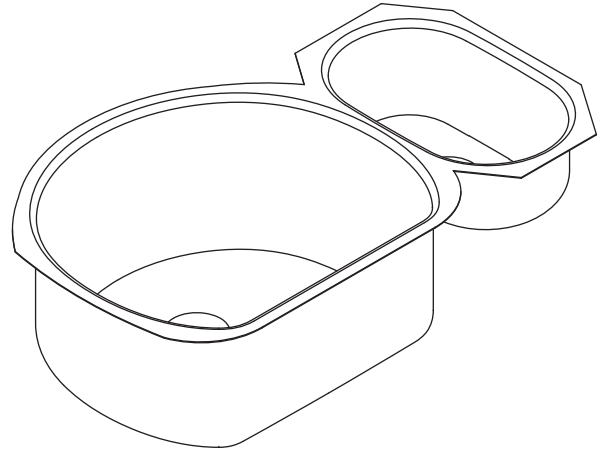
- 18-gauge stainless steel
- Under-mount
- Includes installation hardware
- 9-1/2" (241 mm) deep left bowl and 5-1/2" (140 mm) deep right bowl for K-3099 model
- 5-1/2" (140 mm) deep left bowl and 9-1/2" (241 mm) deep right bowl for K-3099-L model
- 32-1/2" (826 mm) x 19" (483 mm)

Codes/Standards Applicable

Specified model meets or exceeds the following:

- ASME A112.19.3/CSA B45.4

UNDER-MOUNT KITCHEN SINK K-3099 ALSO K-3099-L



Colors/Finishes

- NA: None applicable

Accessories

- CP: Polished Chrome
- Other: Refer to Price Book for additional colors/finishes
- NA: None applicable

Specified Model

Model	Description	Colors/Finishes
K-3099	Under-mount kitchen sink – deeper bowl on left (shown)	<input type="checkbox"/> NA
K-3099-L	Under-mount kitchen sink – deeper bowl on right	<input type="checkbox"/> NA

Optional Accessories				
K-3292	Hardwood cutting board (for small bowl)	<input type="checkbox"/> NA		
K-8801	Duostrainer® sink strainer		<input type="checkbox"/> CP	<input type="checkbox"/> Other_____

Product Specification

The under-mount kitchen sink shall be made of 18-gauge stainless steel. Sink shall be 32-1/2" (826 mm) in length, and 19" (483 mm) in width. Sink shall be double (high/low) compartment. K-3099 shall have 9-1/2" (241 mm) deep left bowl and 5-1/2" (140 mm) deep right bowl. K-3099-L shall have 5-1/2" (140 mm) deep left bowl and 9-1/2" (241 mm) deep right bowl. Sink shall include installation hardware. Sink shall be Kohler Model K-3099-_____.

UNDERTONE®

Technical Information

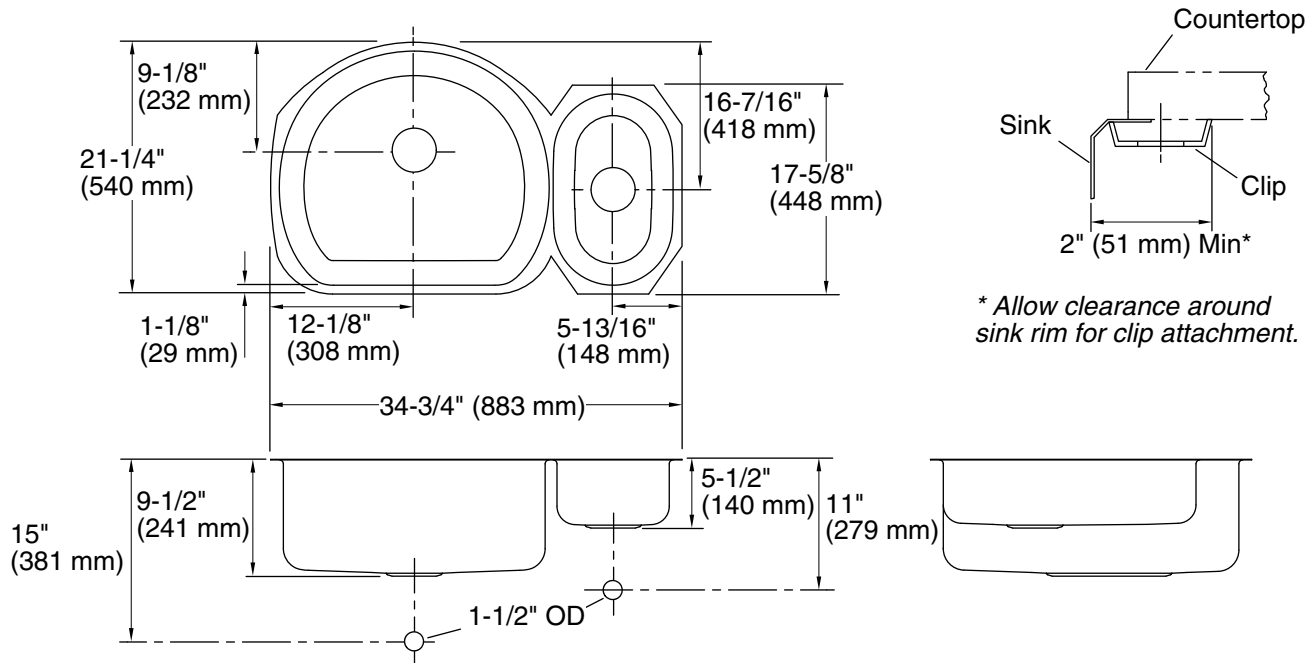
Fixture:*	Bowl area	Water depth
Sink, left	19" (483 mm) x 22" (560 mm)	9-1/2" (203 mm)
Sink, right	9" (229 mm) x 15" (481 mm)	5-1/2" (140 mm)
Drain holes	Ø 3-5/8" (92 mm)	
* Approximate measurements for comparison only.		

Included components:	
Hardware kit (4 required)	91915
Cut-out template (K-3099)	1040323-7
Cut-out template (K-3099-L)	1040324-7

Installation Notes

Install this product according to the installation guide.

Dimensions for K-3099 model are shown. Location of each bowl is reversed with K-3099-L model.



Product Diagram