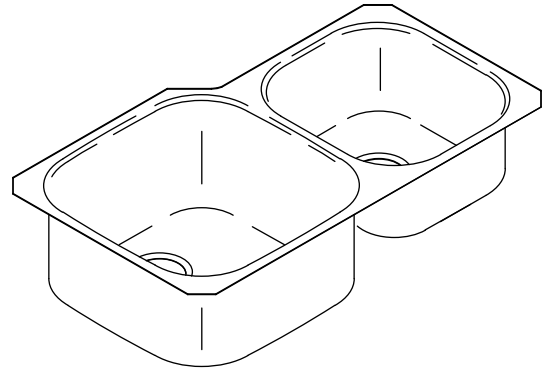


UNDER-MOUNT KITCHEN SINK K-3356

Features

- 18-gauge stainless steel
- Under-mount
- Double (extra large/medium) bowl
- Includes installation hardware
- Rounded bowl(s)
- 9-1/2" (241 mm) deep left bowl and 7-1/2" (191 mm) deep right bowl (K-3356)
- 7-1/2" (191 mm) deep left bowl and 9-1/2" (241 mm) deep right bowl (K-3356-L)
- 32-7/8" (835 mm) x 17-7/8" (454 mm)



Codes/Standards Applicable

Specified model meets or exceeds the following:

- ASME A112.19.3/CSA B45.4

Colors/Finishes

- NA: None applicable

Accessories

- CP: Polished Chrome
- 0: White
- NA: None applicable
- Other: Refer to Price Book for additional colors/finishes

Specified Model

Model	Description	Colors/Finishes
K-3356	Under-mount sink with 9-1/2" (241 mm) deep left bowl and 7-1/2" (191 mm) deep right bowl	<input type="checkbox"/> NA
K-3356-L	Under-mount sink with 7-1/2" (191 mm) deep left bowl and 9-1/2" (241 mm) deep right bowl	<input type="checkbox"/> NA

Optional Accessories			
K-3191	Bottom bowl rack (for extra large bowl)	<input type="checkbox"/> 0	<input type="checkbox"/> Other _____
K-3278	Hardwood cutting board (for medium bowl)	<input type="checkbox"/> NA	
K-3279	Wire basket (for extra large bowl)	<input type="checkbox"/> 0	<input type="checkbox"/> Other _____
K-3291	Colander (for medium bowl)	<input type="checkbox"/> 0	<input type="checkbox"/> Other _____
K-8801	Duostrainer® sink strainer	<input type="checkbox"/> CP	<input type="checkbox"/> Other _____

Product Specification

The under-mount kitchen sink shall be 32-7/8" (835 mm) in length and 17-7/8" (454 mm) in width. Sink shall be made of 18-gauge stainless steel. Sink shall feature a double (extra large/medium) rounded bowl. Kohler Model K-3356 sink shall have a 9-1/2" (241 mm) deep left bowl and a 7-1/2" (191 mm) deep right bowl. Kohler Model K-3356-L sink shall have a 7-1/2" (191 mm) deep left bowl and a 9-1/2" (241 mm) deep right bowl. Sink shall include installation hardware. Sink shall be Kohler Model K-3356-_____.

UNDERTONE®

Technical Information

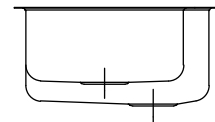
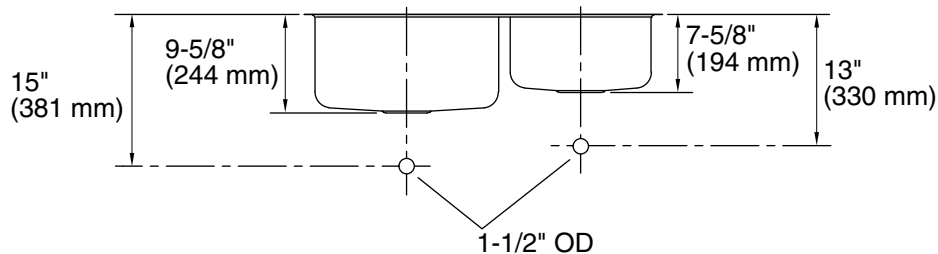
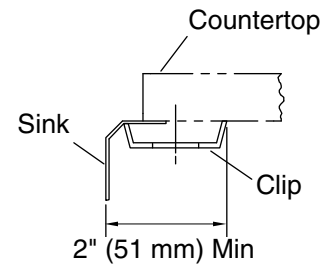
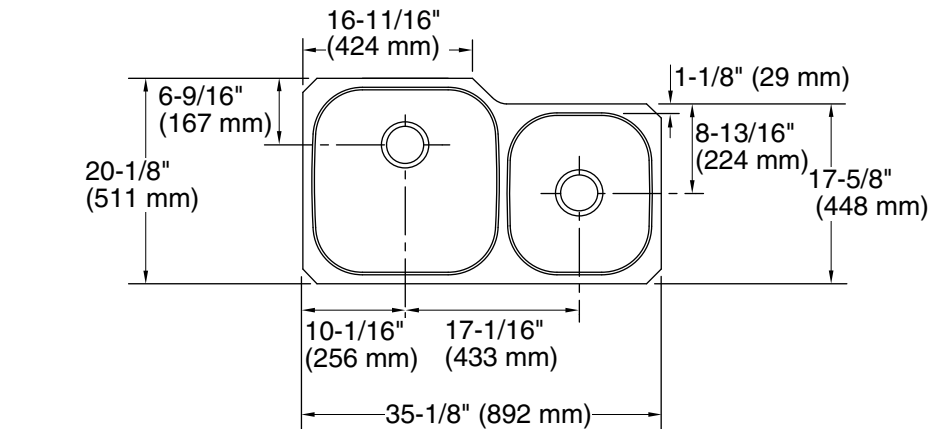
Dimensions shown for K-3356; sink dimensions are opposite for K-3356-L.		
Fixture*:	Bowl area	Water depth
Sink, left	18" (457 mm) x 18" (457 mm)	9-1/2" (241 mm)
Sink, right	14" (356 mm) x 15" (381 mm)	7-1/2" (191 mm)
Drain holes	Ø 3-5/8" (92 mm)	
* Approximate measurements for comparison only.		

Included components:	
Hardware kit (4 required)	91915
Cut-out template (K-3356)	1040560-7
Cut-out template (K-3356-L)	1024848-7

Installation Notes

Install this product according to the installation guide.

Allow a minimum of 2" (51 mm) clearance around the sink rim for clip attachment.



Product Diagram