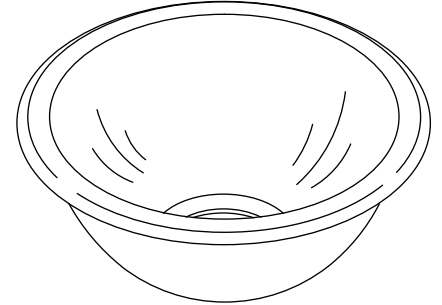


Features

- 18-gauge stainless steel
- Under-mount
- Single bowl
- Rounded bowl(s)
- Includes installation hardware
- 11-1/2" (292 mm) Diameter

UNDER-MOUNT SINK K-3339 ALSO K-14301



Codes/Standards Applicable

Specified model meets or exceeds the following:

- ASME A112.19.3/CSA B45.4

Colors/Finishes

- SBV: Satin Bronze
- NA: None applicable

Accessories

- CP: Polished Chrome
- NA: None applicable
- Other: Refer to Price Book for additional colors/finishes

Specified Model

Model	Description	Colors/Finishes	
K-3339	Under-mount kitchen sink	<input type="checkbox"/> NA	
K-14301	Under-mount bar sink	<input type="checkbox"/> SBV	
Optional Accessories			
K-2989	Countertop cutting board	<input type="checkbox"/> NA	
K-8801	Duostrainer® sink strainer	<input type="checkbox"/> CP	<input type="checkbox"/> Other_____

Product Specification

The under-mount sink shall be 11-1/2" (292 mm) in diameter. Sink shall be made of 18-gauge stainless steel. Sink shall be single rounded bowl. Sink shall include installation hardware. Sink shall be Kohler Model K-_____.

UNDERTONE™

Technical Information

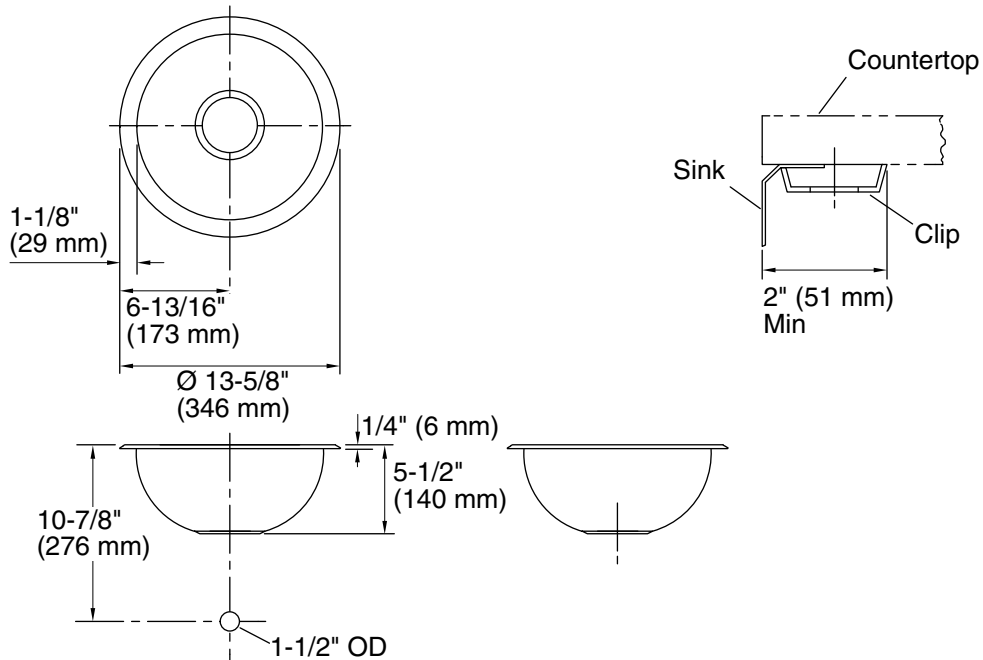
Fixture*:	
Bowl area	Ø 11-1/2" (292 mm)
Water depth	5-1/4" (133 mm)
Drain hole	Ø 3-5/8" (92 mm)
*Approximate measurements for comparison only.	

Included components:	
Hardware kit	91915
Cut-out template	111578-7

Installation Notes

Install this product according to the installation guide.

Allow a minimum of 2" (51 mm) clearance around sink rim for clip attachment.



Product Diagram