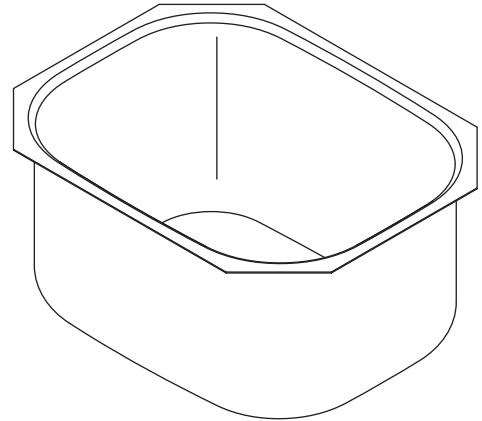


Features

- 18-gauge stainless steel
- Under-mount
- Single compartment
- Includes installation hardware
- Rounded bowl(s)
- 13-3/4" (349 mm) x 17-7/8" (454 mm)

UNDER-MOUNT KITCHEN SINK K-3164



Codes/Standards Applicable

Specified model meets or exceeds the following:

- ASME A112.19.3/CSA B45.4

Colors/Finishes

- NA: None applicable

Accessories

- CP: Polished Chrome
- 0: White
- Other: Refer to Price Book for additional colors/finishes
- NA: None applicable

Specified Model

Model	Description	Colors/Finishes
K-3164	Under-mount kitchen sink	<input type="checkbox"/> NA

Optional Accessories					
K-3278	Hardwood cutting board		<input type="checkbox"/> NA		
K-3280	Wire basket	<input type="checkbox"/> 0			<input type="checkbox"/> Other _____
K-3291	Colander	<input type="checkbox"/> 0			<input type="checkbox"/> Other _____
K-8801	Duostrainer® sink strainer			<input type="checkbox"/> CP	<input type="checkbox"/> Other _____

Product Specification

The under-mount kitchen sink shall be made of 18-gauge stainless steel. Sink shall be 13-3/4" (349 mm) in length and 17-7/8" (454 mm) in width. Sink shall be single compartment with rounded bowl. Sink shall include installation hardware. Sink shall be Kohler Model K-3164-_____.

UNDERTONE®

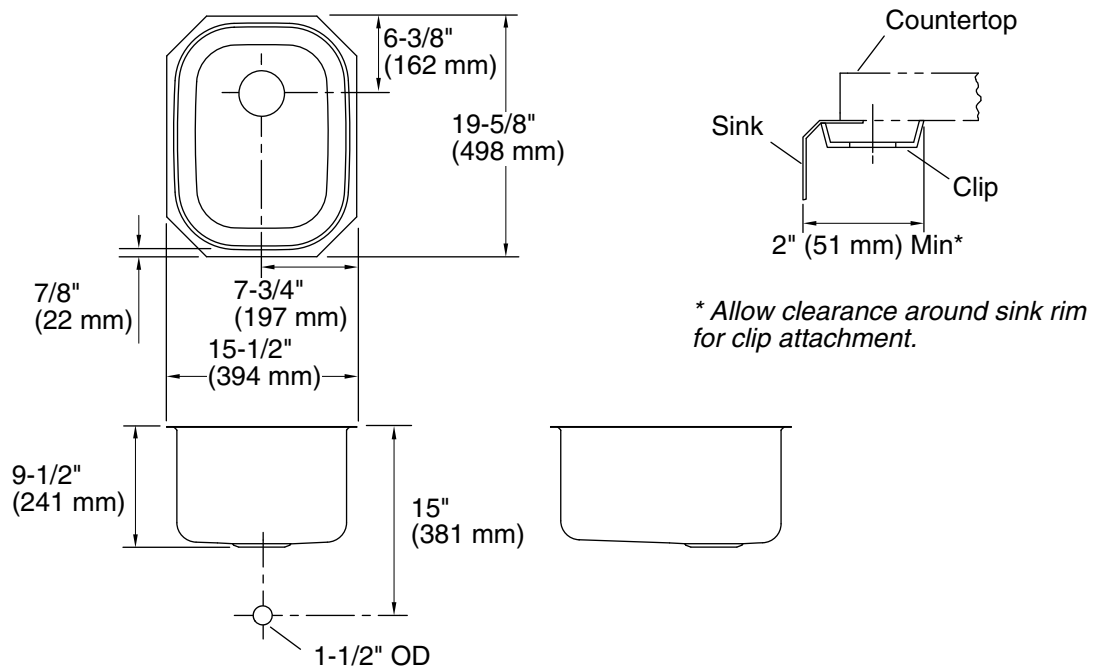
Technical Information

Fixture:*	
Bowl area	13-3/4" (349 mm) x 17-7/8" (454 mm)
Water depth	9-1/2" (241 mm)
Drain Hole	Ø 3-5/8" (92 mm)
* Approximate measurements for comparison only.	

Included components:	
Hardware kit	91915
Cut-out template	113198

Installation Notes

Install this product according to the installation guide.



Product Diagram