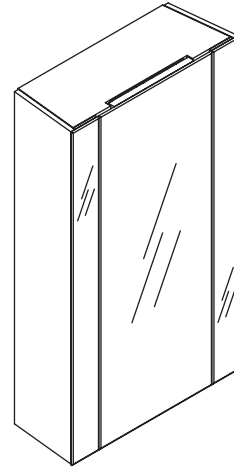


### WALL STORAGE K-2431

#### Features

- Catalyzed polyurethane finish
- Integrated lights
- Mirrored surface
- Storage for toiletries
- Includes hanger for wall-mount installation
- Complements the Fountainhead Suite
- 21" (53.3) x 36" (91.4 cm) x 8-3/4" (22.2 cm)



#### Codes/Standards Applicable

Specified model meets or exceeds the following:

- Underwriters Laboratories (UL, cUL)

#### Colors/Finishes

- F34: Blanche Maple
- F35: Truffle Ash

#### Accessories:

- F34: Blanche Maple
- F35: Truffle Ash

#### Specified Model

Model	Description	Colors/Finishes	
K-2431	Wall storage	<input type="checkbox"/> F34	<input type="checkbox"/> F35
<b>Recommended Accessories</b>			
K-2435	Fountainhead 21" (53.3 cm) vanity	<input type="checkbox"/> F34	<input type="checkbox"/> F35
K-2436	Fountainhead 69" (175.3 cm) vanity	<input type="checkbox"/> F34	<input type="checkbox"/> F35
K-2437	Fountainhead 60" (152.4 cm) double vanity	<input type="checkbox"/> F34	<input type="checkbox"/> F35

#### Product Specification

The wall storage shall be 21" (53.3) in width, 36" (91.4 cm) in height, and 8-3/4" (22.2 cm) in depth. Product shall include a hanger for wall-mount installation. Product shall feature integrated lights, mirrored surface, and storage for toiletries. Product shall complement the Fountainhead suite. Product shall be Kohler Model K-2431-\_\_\_\_\_.

# FOUNTAINHEAD™

## Technical Information

Included component:	
Hanger	1068822

## Required Electrical Service

One (1) electrical supply is required, protected with Class A Ground-Fault Circuit-Interrupter (GFCI) or Earth-Leakage Circuit-Breaker (ELCB):	
Supply:	120 V, 15 A, 60 Hz
Lighting:	
Two (2) puck lights	5 W
Two (2) 21" (53.3 cm) T-5 fluorescent light ballasts	13 W

## Installation Notes

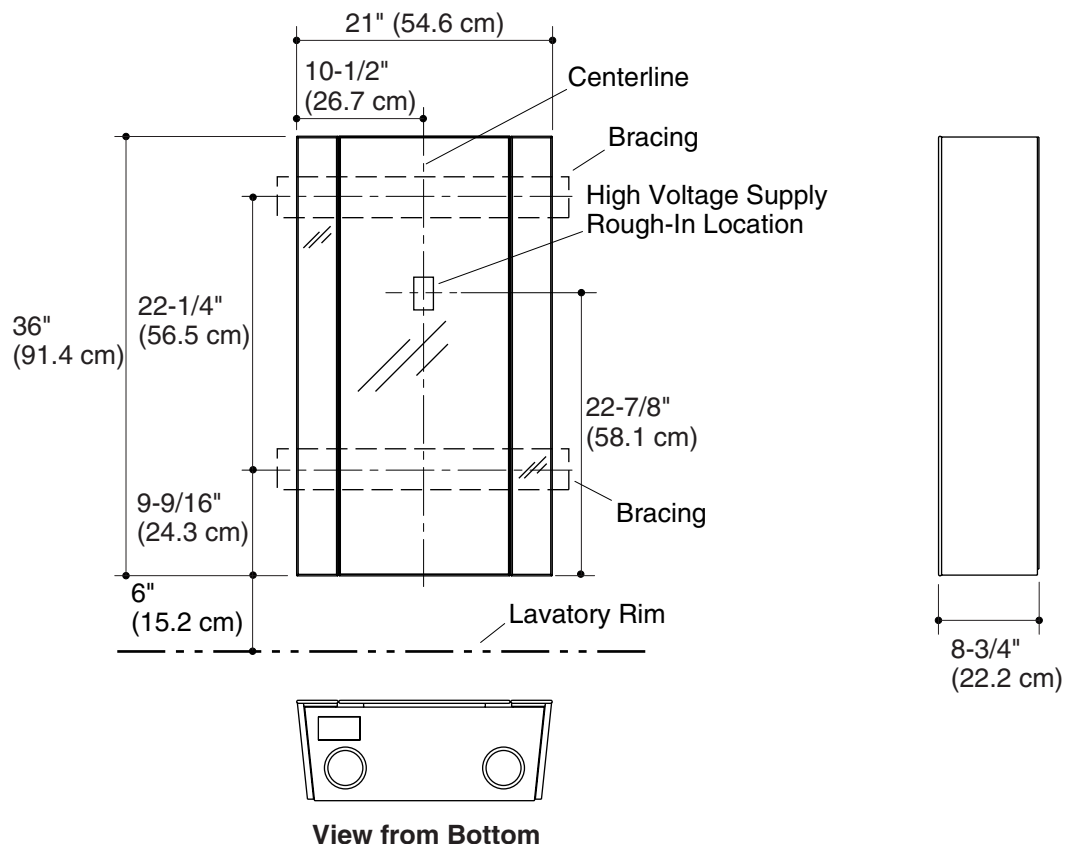
Install this product according to the installation guide.

Select the type of fastener based on the wall material. A minimum of 50 lbs (22.68 kg) load bearing fastener is recommended.

Install the fastener to a stud to avoid possible property and product damage.

One (1) electrical supply is required for this installation.

To allow the user to fully extend the drawers, a minimum of 6" (15.2 cm) of clearance is required on the each side of the wall storage and between bottom of wall storage and rim of lavatory.



## Product Diagram