

Features

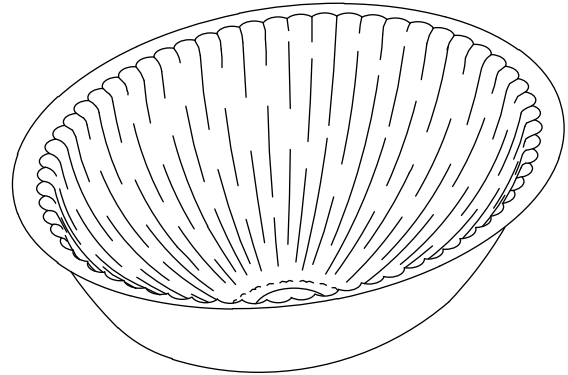
- Vitreous china
- Under-mount
- Includes 52047 clamp assembly
- 17" (432 mm) x 14" (356 mm)

UNDER-MOUNT BATHROOM SINK K-2219

Codes/Standards Applicable

Specified model meets or exceeds the following:

- ASME A112.19.2/CSA B45.1



Colors/Finishes

- 0: White
- Other: Refer to Price Book for additional colors/finishes

Accessories:

- CP: Polished Chrome
- Other: Refer to Price Book for additional colors/finishes

Specified Model

Model	Description	Colors/Finishes	
K-2219	Under-mount bathroom sink	<input type="checkbox"/> 0	<input type="checkbox"/> Other_____
K-2219-G	Under-mount bathroom sink with glazed underside	<input type="checkbox"/> 0	<input type="checkbox"/> Other_____
Recommended Accessory			
K-9018	P-Trap	<input type="checkbox"/> CP	<input type="checkbox"/> Other_____

Product Specification

The under-mount bathroom sink shall be 17" (432 mm) in length, and 14" (356 mm) in width. Bathroom sink shall be made of vitreous china. Bathroom sink shall include 52047 clamp assembly. Bathroom sink shall be Kohler Model K-2219-_____ or K-2219-G-_____.

Technical Information

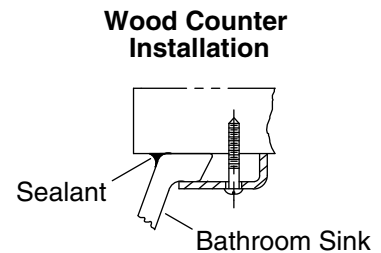
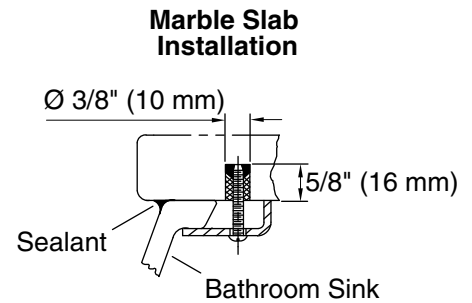
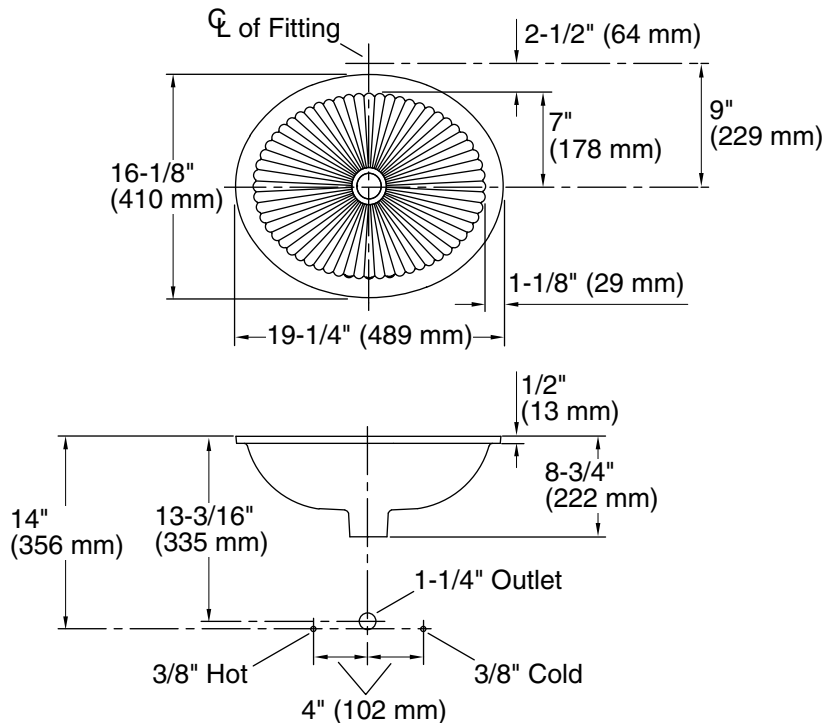
Fixture*:	
Bowl area	17" (432 mm) x 14" (356 mm)
Water depth	6-3/8" (162 mm)
Drain hole	Ø 1-3/4" (44 mm)
* Approximate measurements for comparison only.	
Cutout template	1151011-7
Included Components:	
Basin clamp assembly	52047
Adjustable linkage	40372

Installation Notes

Install this product according to the installation guide.

Supplied basin clamp assemblies require 1" (25 mm) minimum countertop thickness. Installer must supply anchors for thinner countertops.

NOTICE: Countertop manufacturer or cutter must use the current product template available at www.kohler.com, or by calling 1-800-4KOHLER. Kohler Co. is not responsible for cutout errors when the incorrect cutout template is used.



Product Diagram