



# Greenwich™

## Wall-Mount Bathroom Sink

### K-2031-N

#### Features

- Made from premium materials that withstand high-volume usage
- Constructed of vitreous china
- 20-3/4"L x 18-1/4"W
- Wall-mount installation
- Single-hole drilling
- Includes wall hanger
- Drilled for concealed arm carrier
- With sealed overflow for commercial hospitals jobs

#### Recommended Accessories

- K-8998 P-Trap
- K-1808-P Bathroom Sink Brackets

#### Components

Additional included component/s: Hanger (2 Required).



ADA

#### Codes/Standards

ASME A112.19.2/CSA B45.1  
ADA  
ICC/ANSI A117.1

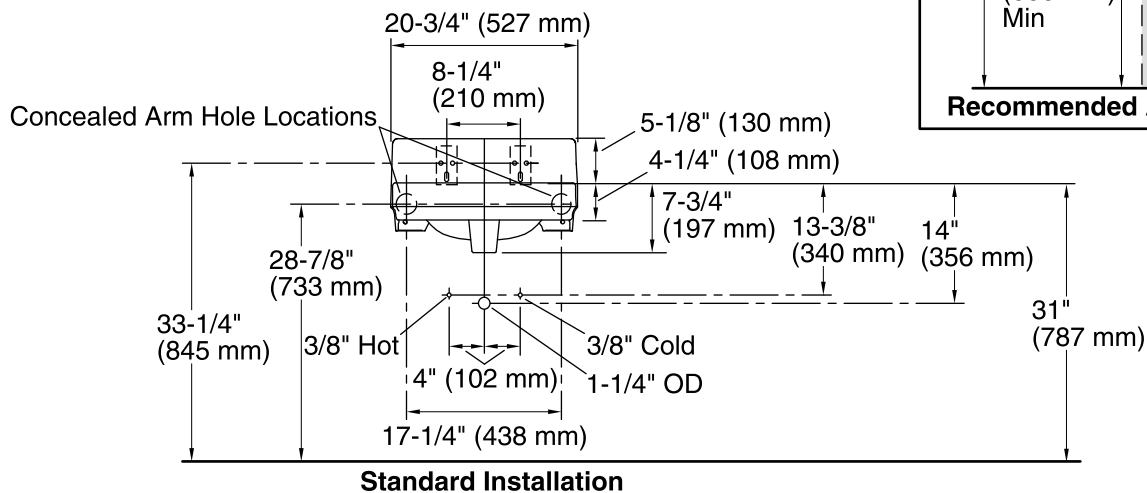
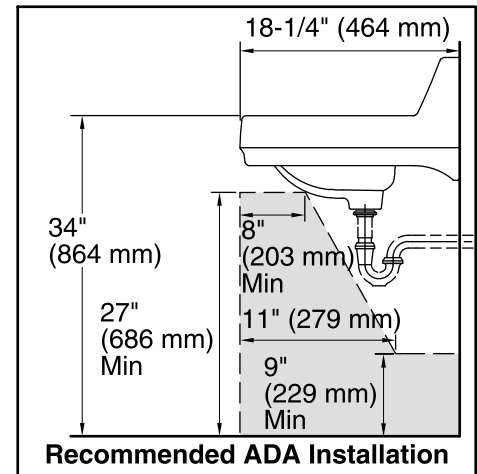
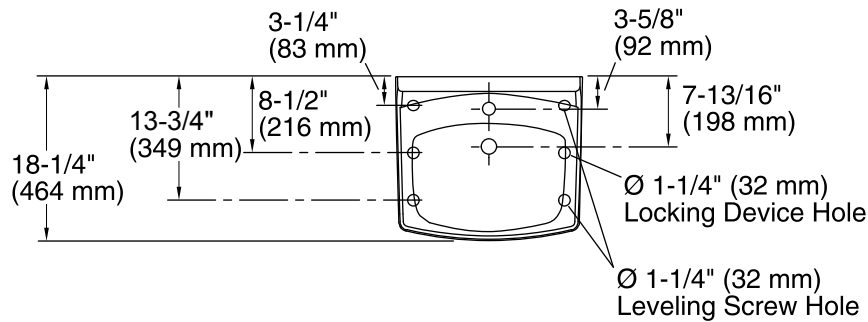
See website for detailed warranty information.

#### Available Color/Finishes

*Color tiles intended for reference only.*

Color	Code	Description
-------	------	-------------

	0	White
--	---	-------



### Technical Information

All product dimensions are nominal.

Bowl configuration: Single  
 Installation: Wall-mount  
 Bowl area (Center) Length: 10" (254 mm)  
 Width: 15" (381 mm)  
 Water depth: 3-1/4" (83 mm)

Number of deck holes: 1  
 Faucet hole(s): 1-3/8" (35 mm)  
 Soap/Lotion hole: 1-1/4" (32 mm)  
 Drain hole: 1-3/4" (44 mm)

### Notes

Install this product according to the installation guide.

ADA compliant when installed to the specific requirements of these regulations.