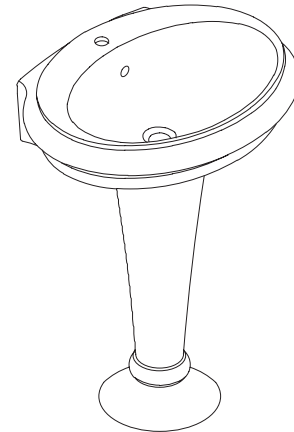


PEDESTAL LAVATORY

K-2011

FEATURES

- 23-7/8" (60.6cm) x 17-7/8" (45.4cm) x 34" (86.4cm)
- Vitreous China
- Lavatory with Transitional pedestal
- 8" (20.3cm) centers (-8), 4" (10.2cm) centers (-4), or single-hole (-1)
- With overflow



CODES/STANDARDS APPLICABLE

Specified model meets or exceeds the following:

- IAPMO/UPC
- ASME/ANSI A112.19.2M
- Canadian Standards Association (CSA)
- State of Massachusetts

COLORS/FINISHES

- 0 White
- Other Refer to Fixtures Price Book for additional colors

Accessories:

- CP Polished Chrome
- Other Refer to Faucets Price Book for additional finishes

SPECIFIED MODEL:

Model	Description	Colors/Finishes	
K-2011-8	8" (20.3cm) centers pedestal lavatory	<input type="checkbox"/> 0 White	<input type="checkbox"/> Other _____
K-2011-4	4" (10.2cm) centers pedestal lavatory	<input type="checkbox"/> 0 White	<input type="checkbox"/> Other _____
K-2011-1	Single-hole pedestal lavatory	<input type="checkbox"/> 0 White	<input type="checkbox"/> Other _____

Recommended Accessories			
K-7605-P	Lavatory supplies 3/8" (pair)	<input type="checkbox"/> CP	<input type="checkbox"/> Other _____
K-9018	Trap	<input type="checkbox"/> CP	<input type="checkbox"/> Other _____

PRODUCT SPECIFICATION:

The pedestal lavatory shall be 23-7/8" (60.6cm) in length, 17-7/8" (45.4cm) in width, and 34" (86.4cm) in height. Pedestal lavatory shall be made of vitreous china. Pedestal lavatory shall have transitional pedestal. Pedestal lavatory shall have 8" (20.3cm) centers (-8), 4" (10.2cm) centers (-4), or single-hole (-1) drilling. Pedestal lavatory shall have overflow. Pedestal lavatory shall be Kohler Model K-2011-_____-_____.

PRODUCT INFORMATION

Holes	K-2011-8	K-2011-4	K-2011-1
Spout	1-3/8" D. (3.5cm)	1-1/4" D. (3.2cm)	1-3/8" D. (3.5cm)
Faucet	1-3/8" D. (3.5cm)	1-1/4" D. (3.2cm)	

Included Components:	
Lavatory basin, 8" (20.3cm) centers	K-2008-8
Lavatory basin, 4" (10.2cm) centers	K-2008-4
Lavatory basin, single-hole	K-2008-1
Pedestal	K-2003
Rubber pads	63069
Lavatory accessory pack	84017

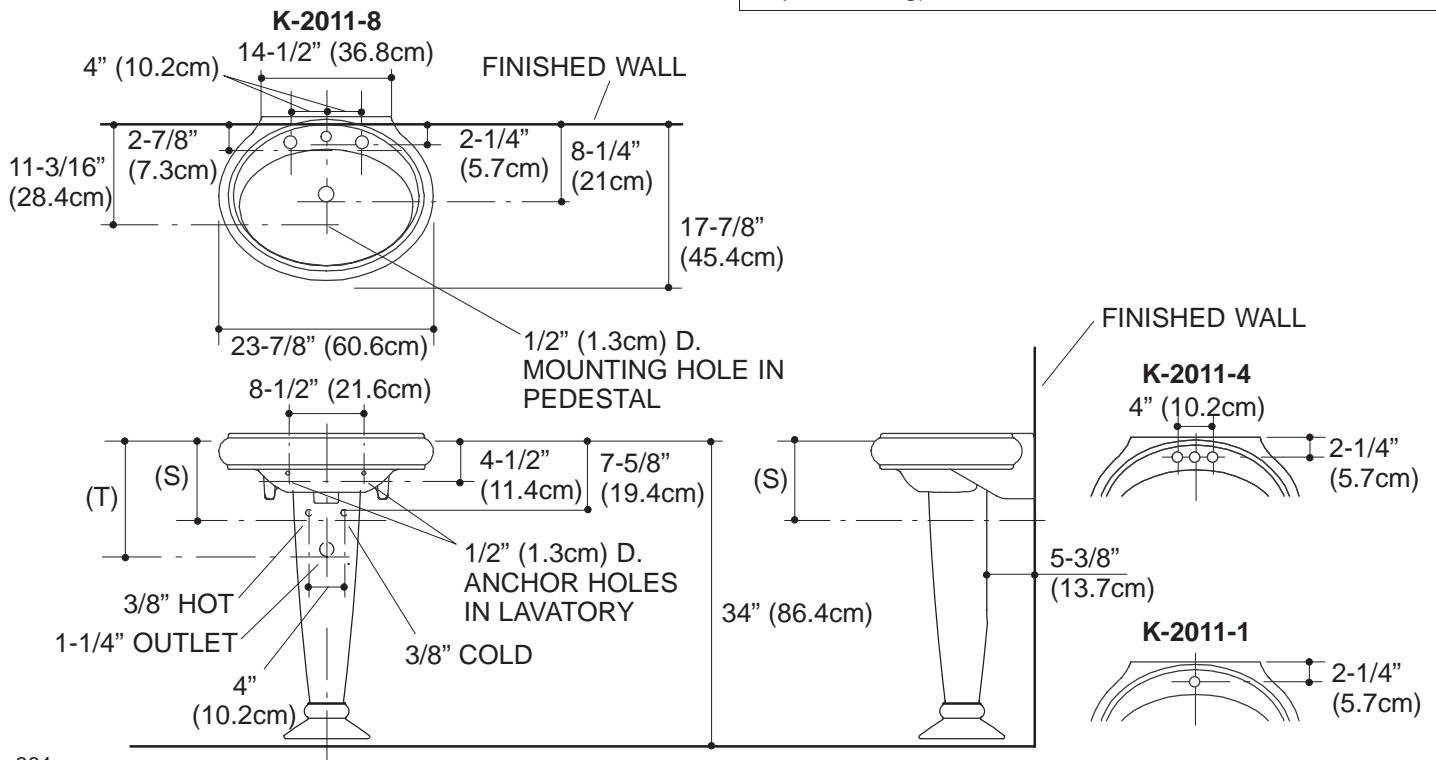
INSTALLATION NOTES

Install this product according to the installation guide.

Fixture dimensions are nominal and conform to tolerances in ASME Standard A112.19.2M.

(T) Pop-up drain 13-1/4". (33.7cm)

(S) 10" (25.4cm) (Based on 12" (30.5cm) riser which may require cutting).



364

PRODUCT DIAGRAM