

Features

- Italian marble
- Without overflow
- Countertop installation
- Without faucet holes
- Complements the Purist Suite
- 24" (61 cm) x 23-1/2" (59.7 cm)

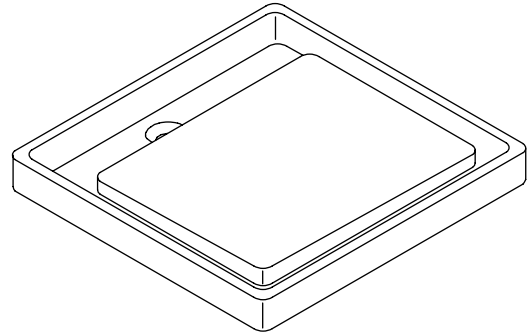
WADING POOL™ WET SURFACE LAVATORY K-2334

ADA

Codes/Standards Applicable

Specified model meets or exceeds the following:

- ADA



Colors/Finishes

- WH: White Carrera Marble
- B8: Biancone Marble

Accessories:

- CP: Polished Chrome
- F4: Black Walnut
- F5: White Oak
- B8: Biancone Marble
- NA: None applicable

Specified Model

Model	Description	Colors/Finishes	
K-2334	Wading Pool wet surface lavatory - without faucet holes	<input type="checkbox"/> WH	<input type="checkbox"/> B8
Recommended Accessories			
K-9583	Bracket kit - includes right and left-facing brackets for wall-mount installation		<input type="checkbox"/> NA
K-3081	Wall-mount vanity	<input type="checkbox"/> F4	<input type="checkbox"/> F5
K-9018	P-Trap	<input type="checkbox"/> CP	<input type="checkbox"/> B8
Refer to the Price Book for countertop and hand basin options.			

Product Specification:

The Italian marble lavatory shall be 24" (61 cm) in length and 23-1/2" (59.7 cm) in width. Product shall be for countertop installation. Product shall be without overflow and without faucet holes. Product shall complement the Purist Suite. Product shall be Kohler Model K-2334-_____.

Technical Information

Fixture*:	
Drain hole	1-3/4" (4.4 cm) D.
* Approximate measurements for comparison only.	
Included component:	
Cut-out template	1014137-7

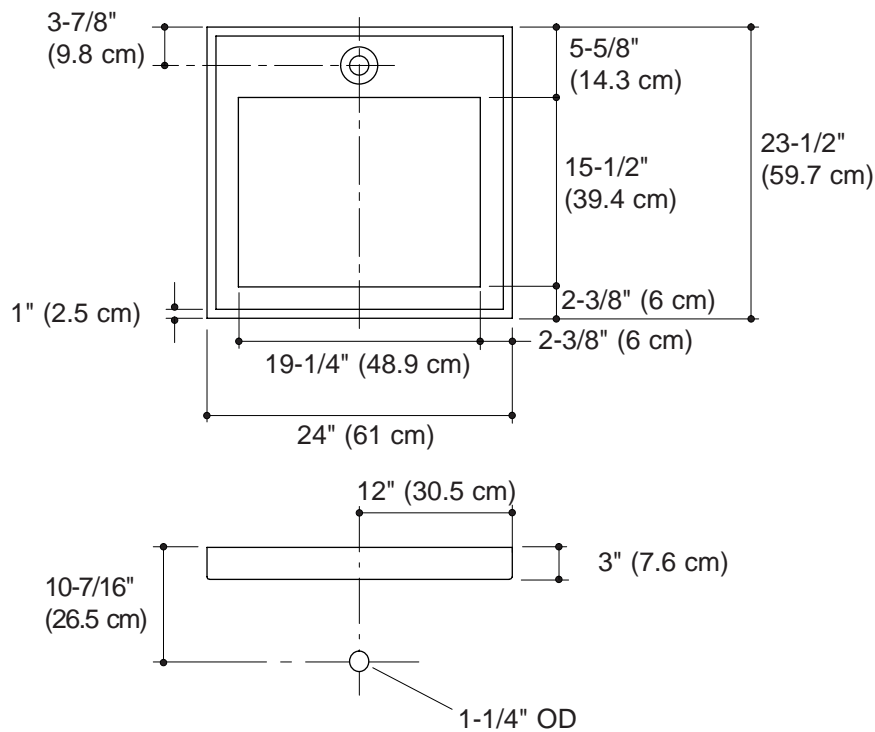
Installation Notes

Install this product according to the installation guide.

Product does not have an overflow.

Choose a faucet that will provide adequate clearance and will direct the water stream to the center of the lavatory.

NOTICE: Countertop manufacturer or cutter **must** use the cut-out template provided with the product, or a current cut-out template provided by Kohler Co. (call 1-800-4-KOHLER). Kohler Co. is not responsible for cutout errors when the incorrect template is used.



Product Diagram