

SHOWER RECEPTOR K-1974

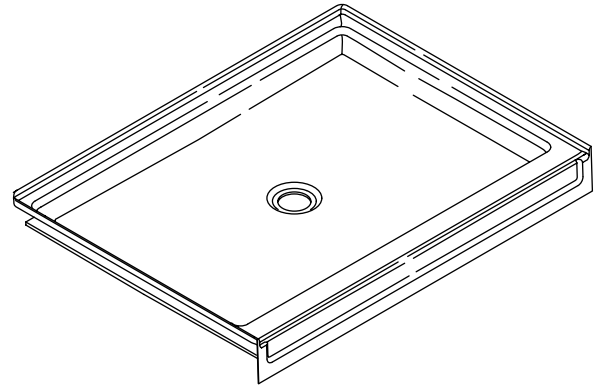
Features

- Acrylic
- Reinforced with fiberglass (FRP)
- Molded-in floor pattern
- 48" (121.9 cm) x 36" (91.4 cm) x 4-3/8" (11.1 cm)

Codes/Standards Applicable

Specified model meets or exceeds the following:

- ANSI Z124.1.2
- ASTM E162
- ASTM E662
- CSA B45.0
- CSA B45.5



Colors/Finishes

- 0: White
- Other: Refer to Price Book for additional colors/finishes

Accessories

- CP: Polished Chrome
- PB: Vibrant® Polished Brass
- NA: None applicable
- Other: Refer to Price Book for additional colors/finishes

Specified Model

Model	Description	Colors/Finishes		
K-1974	Shower receptor	<input type="checkbox"/> 0	<input type="checkbox"/> Other_____	
Required Accessories				
K-9132	Shower drain	<input type="checkbox"/> CP	<input type="checkbox"/> PB	<input type="checkbox"/> Other_____
Recommended Accessories				
K-1657	7 kW steam generator (for regular install with a standard 8' (2.4 m) ceiling or less*)	<input type="checkbox"/> NA		
K-1708	7 kW Fast-Response® steam generator (for install with DTV® II with a standard 8' (2.4 m) ceiling or less*)	<input type="checkbox"/> NA		
*If the ceiling is higher than 8' (2.4 m), we recommend going up one generator size per foot (30 cm) above 8' (2.4 m).				

Product Specification

The shower receptor shall be made of acrylic reinforced with fiberglass (FRP). The shower receptor shall be 48" (121.9 cm) in length, 36" (91.4 cm) in width, and 4-3/8" (11.1 cm) in height. The receptor shall have molded-in floor pattern. The shower receptor shall be Kohler Model K-1974-_____.

TRESHAM™

Optional Accessories

Refer to Fixtures Price Book for shower door selections, glass options, and color information.

Technical Information

Fixture:	
Weight	52 lbs (23.6 kg)
Configuration	one-piece
Drain hole	3-3/8" (8.6 cm) D.

Installation Notes

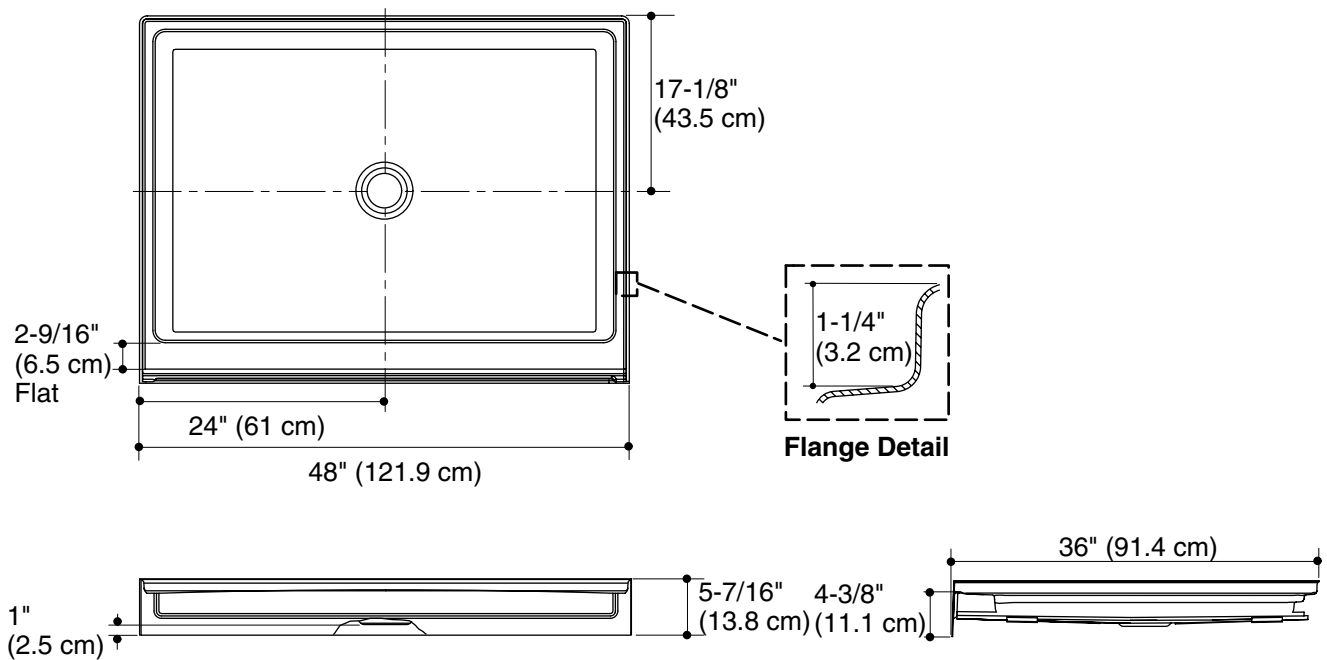
Install this product according to the installation guide.

Floor leveling compound may be required to level the fixture.

Shimming may be required between the stud frame and the fixture.

The stud opening tolerance is +1/4" (6 mm), -0" (0 mm).

When fire rated construction is specified, dimensions are to the inside of the fire-rated wall.



Product Diagram