

Features

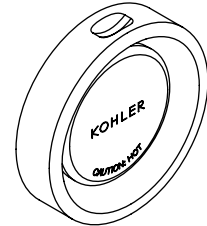
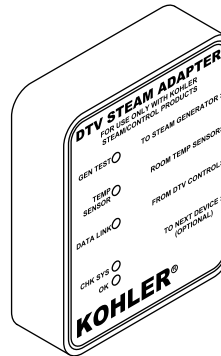
- Easy-to-install digital user interface control
- Quick connect cables
- Adjustable temperature settings via the menu driven user interface controller
- Adjustable session settings via the menu driven user interface controller
- Thermostatic steam head with aromatherapy reservoir
- 3 year warranty
- 20 minute safety shut-off
- Mounting arms and gasket

Codes/Standards Applicable

Specified model meets or exceeds the following:

- Underwriters Laboratories (UL)
- UL 499

STEAM ADAPTER KIT K-1737 ALSO K-1838



Colors/Finishes

- CP: Polished Chrome
- PB: Polished Brass
- Other: Refer to Price Book for additional colors/finishes

Accessories:

- NA: None applicable

Specified Model

Model	Description	Colors/Finishes		
K-1737	Steam adapter kit with steam head (shown)	<input type="checkbox"/> CP	<input type="checkbox"/> PB	<input type="checkbox"/> Other_____
K-1838	Steam adapter kit with dual steam head	<input type="checkbox"/> CP	<input type="checkbox"/> PB	<input type="checkbox"/> Other_____

Required Accessories		
K-638	Media module	<input type="checkbox"/> NA
K-694	Landscape digital interface OR	<input type="checkbox"/> Other_____
K-695	Portrait digital interface	<input type="checkbox"/> Other_____
For K-1737 adapter kit choose one of the following steam generators		
K-1695	Fast-Response™ 5 kW steam generator	<input type="checkbox"/> NA
K-1708	Fast-Response 7 kW steam generator	<input type="checkbox"/> NA
K-1733	Fast-Response 9 kW steam generator	<input type="checkbox"/> NA
K-1734	Fast-Response 11 kW steam generator	<input type="checkbox"/> NA

Continued on next page.

Product Specification

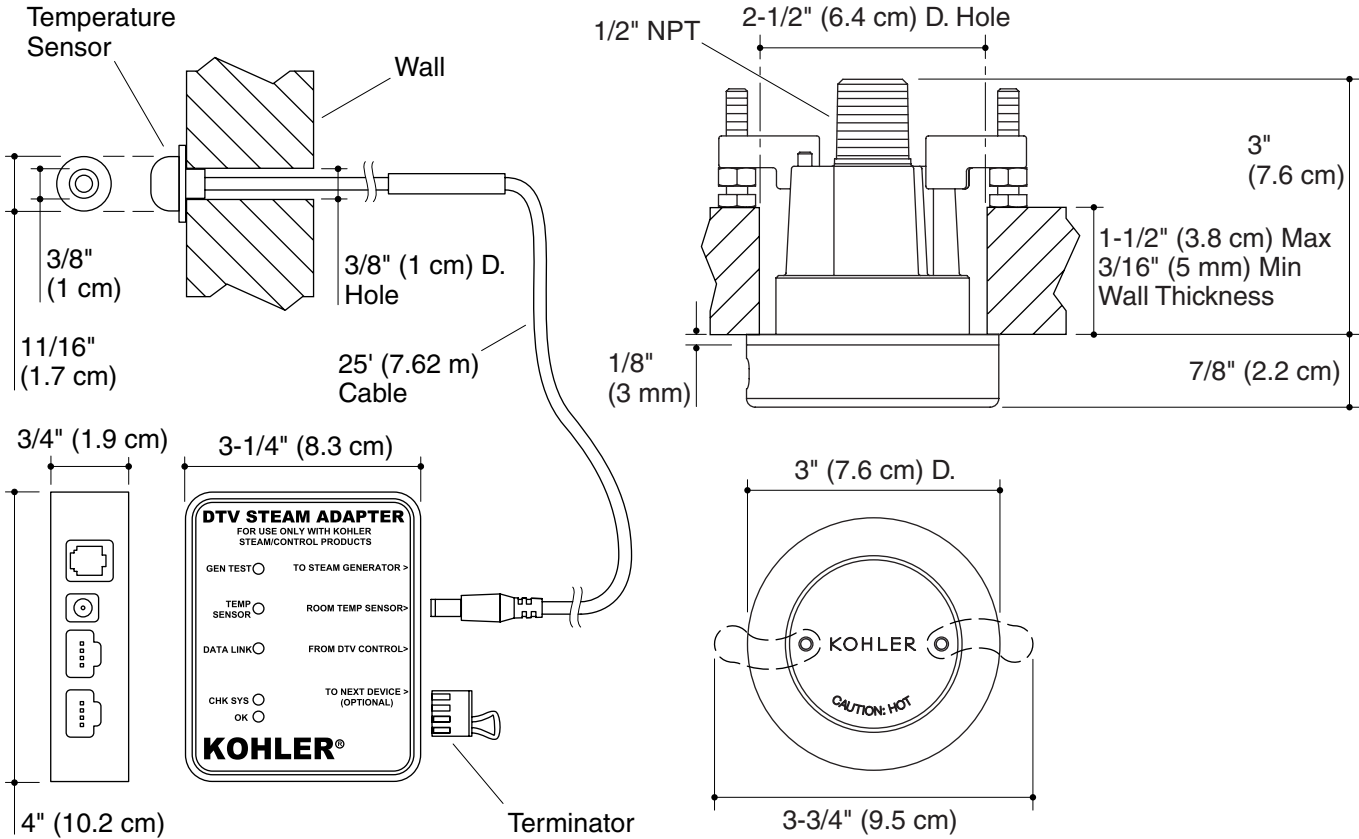
The steam adapter kit shall include an easy-to-install digital user interface control. Product shall feature adjustable temperature and session settings via the menu driven user interface controller. Product shall include a 20 minute safety shut-off, and thermostatic steam head with aromatherapy reservoir. Product shall have quick connect cables, mounting arms, and gasket. Product shall include a three year warranty. Steam adapter kit shall be Kohler Model K-_____-_____.



Required Accessories <i>Continued from previous page.</i>		
For K-1737 adapter kit choose one of the following steam generators <i>continued</i>		
K-1696	Fast-Response 13 kW steam generator	<input type="checkbox"/> NA
K-1713	Fast-Response 15 kW steam generator	<input type="checkbox"/> NA
For K-1838 adapter kit choose one of the following steam generators		
K-1714	Fast Response 18 kW steam generator	<input type="checkbox"/> NA
K-1715	Fast-Response 22 kW steam generator	<input type="checkbox"/> NA
K-1697	Fast-Response 26 kW steam generator	<input type="checkbox"/> NA
K-1716	Fast-Response 30 kW steam generator	<input type="checkbox"/> NA

Installation Notes

Install this product according to the installation guide.



Product Diagram