

Product Information

Applicable product:	
Bath	K-1821
Fixture*:	
Bathing well:	
Basin area, bottom	44-1/2" (113 cm) x 22-5/16" (56.7 cm)
Basin area, top	59-5/8" (151.4 cm) x 25-1/2" (64.8 cm)
Weight	86 lbs (39 kg)
To overflow:	
Water depth	18" (45.7 cm)
Capacity	85.8 gal (325 L)
* Approximate measurements for comparison only.	
Drop-in cut-out	64-1/2" (163.8 cm) x 30-1/2" (77.5 cm)
Required accessories:	
Clearflo slotted overflow brass bath drain OR	K-7271
Clearflo slotted overflow bath drain – PVC pipe	K-7272

Optional accessories:

Undermount kit	K-550
Pillow	K-1491
Footstop	K-1601

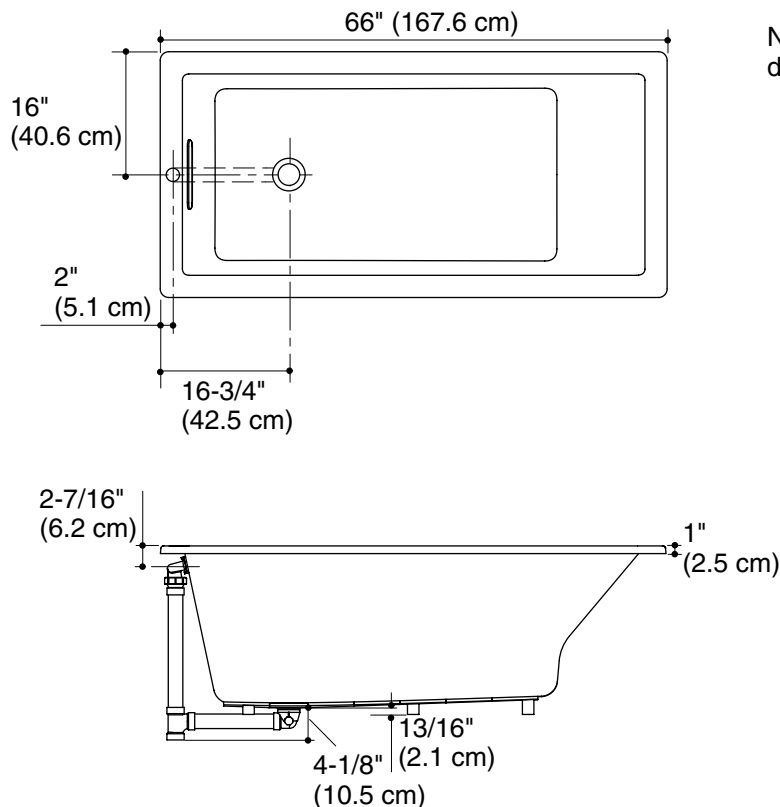
Installation Notes

Install this product according to the installation guide.

Floor support under bath must provide for a minimum of 50 lbs/square foot (242 kg/square meter) loading.

Hot water supply should be 70% of capacity or greater. Installations will vary.

Fixture conforms to ANSI Standards Z124.1.2. All dimensions are nominal.



No change in measurement if connected with drain illustrated. (K-7272)

