

**LAVATORY FAUCET
K-18140**

ADA



Features

- Brass construction
- Single-hole mounting
- One-piece self-contained ceramic disc valve allows both volume and temperature control
- Temperature memory allowing faucet to be turned on and off at any temperature setting
- 2.0 gallons (7.5 L) per minute
- Pop-up drain with lift rod and tailpiece
- Lever handle(s)
- 4-3/8" (11.1 cm) spout

Codes/Standards Applicable

Specified model meets or exceeds the following:

- ASME A112.18.1
- Energy Policy Act of 1992 (EPACT)
- IAPMO/UPC
- Canadian Standards Association (CSA)

Colors/Finishes

- CP: Polished Chrome

Specified Model:

Model	Description	Colors/Finishes
K-18140	Panache Single-Control Lavatory Faucet	<input type="checkbox"/> CP

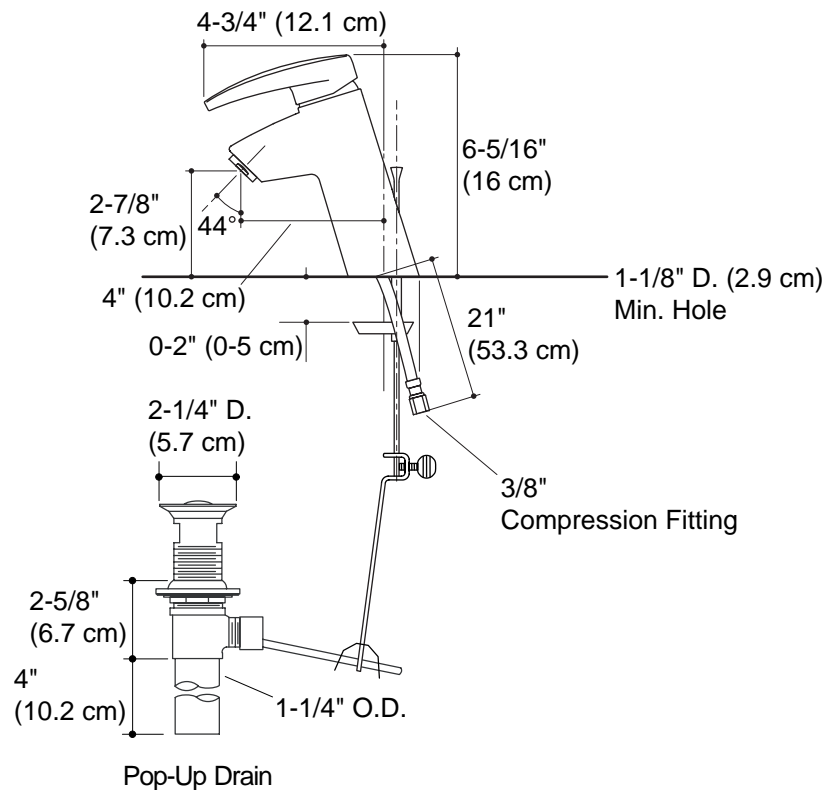
PRODUCT SPECIFICATION

Single-control lavatory faucet shall be of brass construction. The valve shall be a one-piece and self-contained. Product shall include single-hole mounting, 4-3/8" (11.1 cm) spout, pop-up drain with lift rod and tailpiece, and lever handle. Faucet shall be Kohler Model K-18140-CP.

PANACHE™

Installation Notes

Install this product according to the installation guide.



Product Diagram