

FREESTANDING BATH K-1800

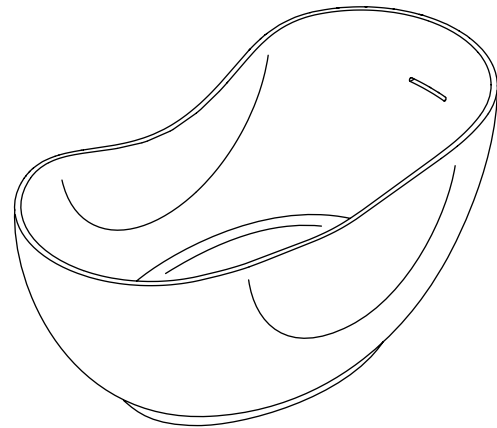
Features

- Cast acrylic
- Freestanding bath
- Cast integral overflow increases bathing depth
- Included drain and drain cover
- 66" (167.6 cm) x 31-1/2" (80 cm) x 28-1/2" (72.4 cm)

Codes/Standards Applicable

Specified model meets or exceeds the following:

- ANSI Z124.1.2
- CSA B45.0
- CSA B45.5
- ASME A112.18.2/CSA B125.2 [Drain]



Colors/Finishes

- HW1: Honed White

Accessories

- CP: Polished Chrome
- Other: Refer to Price Book for additional colors/finishes
- NA: None applicable

Specified Model

Model	Description	Colors/Finishes	
K-1800	Freestanding bath	<input type="checkbox"/> HW1	
Recommended Accessories			
K-923	Laminar wall or ceiling-mount bath filler	<input type="checkbox"/> CP	<input type="checkbox"/> Other _____
K-994-4	Floor-mount bath filler with handshower	<input type="checkbox"/> CP	
K-10129-4	Floor-mount bath filler with handshower	<input type="checkbox"/> CP	
Optional Accessories			
K-1039	Headrest	<input type="checkbox"/> NA	

Product Specification

The freestanding bath shall be made of cast acrylic. Bath shall be 66" (167.6 cm) in length, 31-1/2" (80 cm) in width, and 28-1/2" (72.4 cm) in height. Bath shall include drain and drain cover. Bath shall have cast integral overflow, which increases bathing depth. Bath shall be Kohler Model K-1800-_____.

ABRAZO™

Technical Information

Fixture*:	
Bathing well:	
Basin area, bottom	41-1/2" (105.4 cm) x 26" (66 cm)
Basin area, top	64-3/8" (163.5 cm) x 30" (76.2 cm); 27" (68.6 cm) center width
Weight	524 lbs (238 kg)
To overflow:	
Water depth	18" (45.7 cm)
Capacity	90 gal (340 L)
* Approximate measurements for comparison only.	

Installation Notes

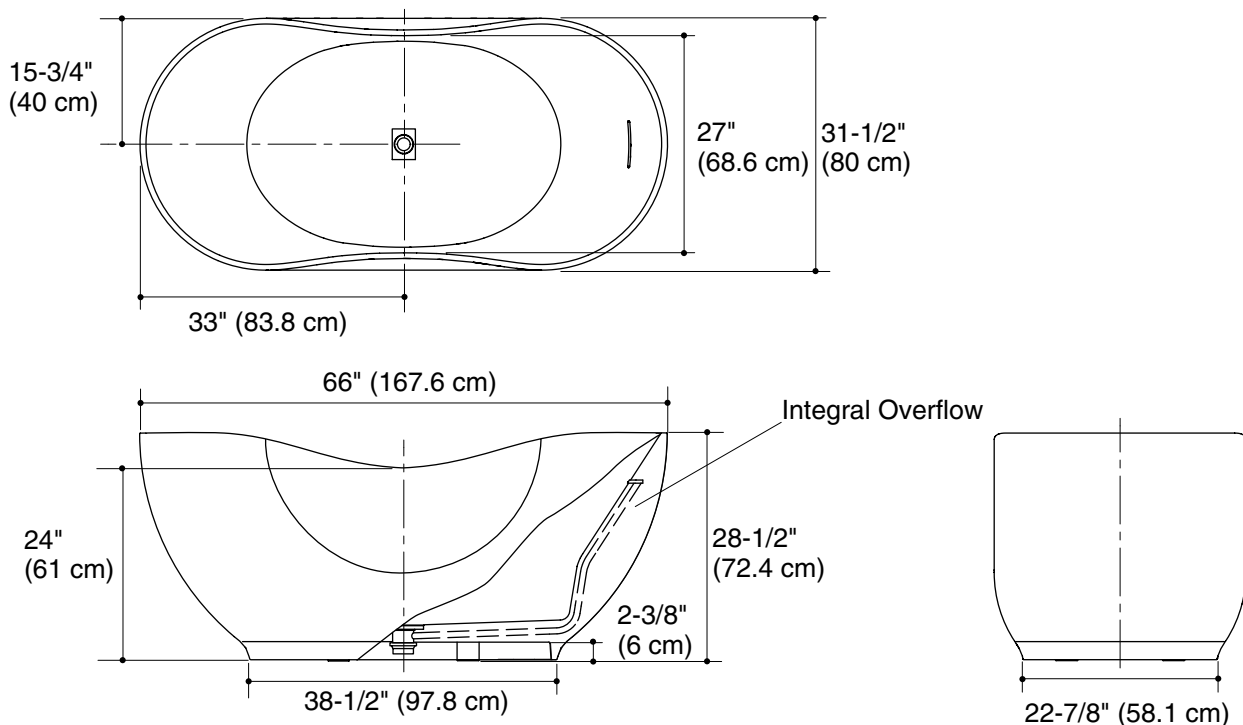
Install this product according to the installation guide.

Floor support under bath must provide for a minimum of 90 lbs/square foot (436 kg/square meter) loading.

Install a standard 1-1/2" bath drain pipe so that it extends 2-1/8" (5.4 cm) above the finished floor.

Cast acrylic baths are extremely heavy, making some installations difficult.

NOTE: Use lifting straps to lift or move the bath.



Product Diagram