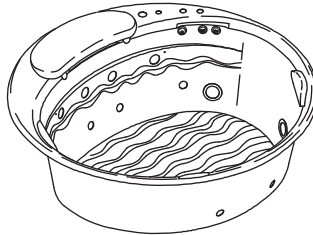


Installation Guide

Round Bath Whirlpool

K-1394, K-1397, K-1399



Retain serial number for reference:
Conserver le numéro de série pour référence:
Guarde el número de serie para
referencia: _____
Français, page "Français-1"
Español, página "Español-1"

THE BOLD LOOK
OF **KOHLER**®

Important Information



WARNING: When using electrical products, basic precautions should always be followed, including the following:



DANGER: Risk of electric shock. Connect only to a circuit protected by Ground-Fault Circuit-Interruption (GFCI's)*.

Building materials and wiring should be routed away from the pump body and other heat-producing components of the unit.

Install to permit access for servicing.

A pressure wire connector marked "Earth/Ground" is provided within the wiring compartment. To reduce the risk of electric shock, connect this connector to the grounding terminal of your electric service or supply panel with copper wire equivalent in size to the circuit conductor supplying this equipment.

Pressure wire connectors are provided on the exterior of the junction box or control within this unit to permit connection of a bonding conductor between this unit and all other exposed metal in the vicinity, as needed to comply with local requirements.

An equipment grounding terminal is provided in the field wiring compartment. To reduce the risk of electric shock, this terminal must be connected to the grounding means provided in the electric supply panel with a conductor equivalent in size to the circuit conductors supplying this equipment.

Grounding is required. The unit should be installed by a qualified service representative, and grounded.



WARNING: Risk of injury or property damage. Please read all instructions thoroughly before beginning installation, including the following requirements.



WARNING: Risk of electric shock. A qualified electrician should make all electrical connections.



WARNING: Risk of electric shock. Disconnect power before servicing.

NOTICE: Follow all local plumbing and electrical codes. In Canada, install this unit in accordance with the Canadian Electrical Code, Part 1.

*Outside North America, this device may be known as a Residual Current Device (RCD).

Product Information

Electrical Requirements

The installation must have two Class A Ground-Fault Circuit-Interruption (GFCI's). The GFCI's protect against line-to-ground shock hazard. **Use two 220-240 V, 20 A, 50/60 Hz dedicated services; one for each pump/control/heater system.**

Product Notices



WARNING: Unauthorized modification may cause unsafe operation and poor performance of the whirlpool. Do not relocate the whirlpool pumps, or make other modifications to the whirlpool system, as this could adversely affect the performance and safe operation of the whirlpool. Kohler Co. shall not be liable under its warranty or otherwise for personal injury or damage caused by any such unauthorized modification.

Features

Components include two pumps, two controls, a heater, Waterfall, Flexjets, Riverjets, chromatherapy lights (Model H2 only), integral fill valve (K-1397 only), and illuminated keypad with remote control.

Product Information (cont.)

Connections and Service Access

Before installation, ensure proper access to the final connections.

NOTICE: Provide generous, unrestricted service access to the pump. You must provide a minimum 48" (1220 mm) wide x 15" (381 mm) high access panel for servicing the pumps and controls. The access must be located immediately next to the pumps.

Table of Contents

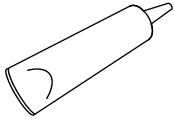
Important Information	2
Product Information	2
Electrical Requirements	2
Product Notices	2
Features	2
Connections and Service Access	3
Before You Begin	3
Tools and Materials	4
Prepare the Site	5
Prepare the Whirlpool	5
Secure the Whirlpool to the Subfloor	6
Cut the Pump Banding Straps	7
Install the Plumbing	7
Make Electrical Connections	8
Install the Whirlpool Trim Kit	10
Test Run the Whirlpool	10
Complete the Finished Wall/Deck	11
Clean-Up After Installation	11
Install the Removable Pillows	12
Confirm Proper Operation	13
Operating Sequence	14
Chromatherapy Operation	15
Remote Control Operation	15
Troubleshooting	15

Before You Begin

NOTICE: Do not lift the whirlpool by the piping or pump, or use the piping or pump for structural support of the whirlpool.

- We recommend this whirlpool for drop-in or flush installation.
- Inspect the whirlpool for damage before you begin installation.
- You must install this whirlpool to an adequately supported, level subfloor.
- Model K-1397 features an integral fill system using dual fill ports at both sides of the Waterfall, and preinstalled valving.
- Models K-1394 and K-1399 allow you to use the fill valving of your choice - you can use the pre-installed dual fill ports or a separate fill spout if you desire. Confirm adequate support for a rim-mounted faucet, if used; large faucets that may be inadvertently used as a means of support are not appropriate or safe for this installation.
- Consult local and national codes.

Tools and Materials



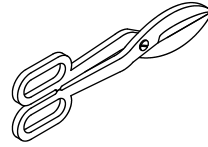
Silicone Sealant



Measuring Tape



Pencil



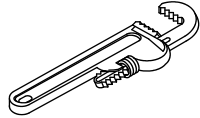
Tin Snips



Level



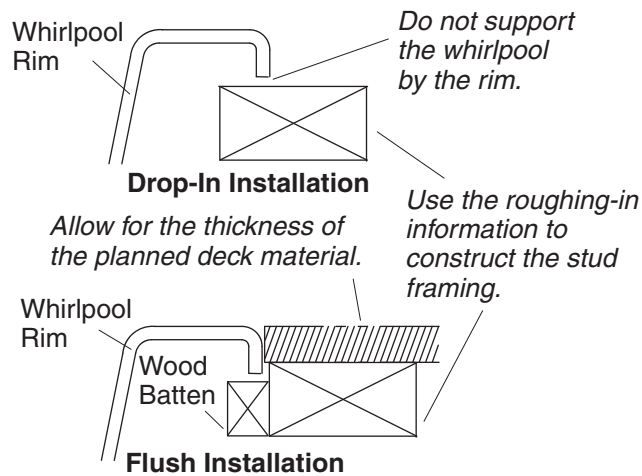
Safety Glasses



Pipe Wrench

Plus:

- Conventional woodworking tools and materials
- Drop Cloth
- Cement, mortar or construction adhesive
- 2x4s



1. Prepare the Site

NOTICE: Do not support the whirlpool by the rim.

NOTICE: Provide adequate floor support.

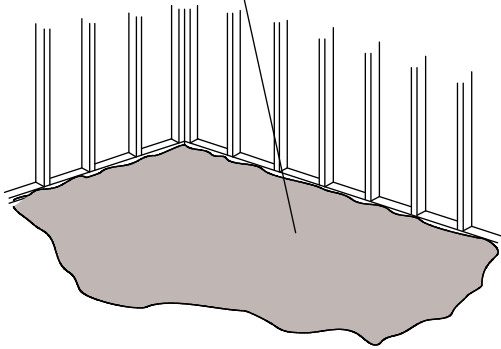
NOTICE: Measure your actual product for site preparation. Note the **model number** located on the whirlpool pump, then visit the product page at www.kohler.com for additional information.

- Make sure the flooring offers adequate support for your whirlpool, and verify that the subfloor is flat and level.
- The whirlpool should be installed in a drop-in or flush installation. Construct 2x4 stud framing or concrete or brick support designed for your particular installation. Frame the floor, or construct a frame or support for a raised installation.
- Use the template packed with the whirlpool to carefully lay out and cut the rough deck material. For flush-mount installation, allow for the thickness of the planned deck material.
- Position the plumbing. Cap the supplies, and check for leaks.

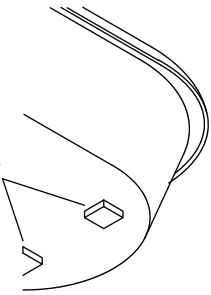
2. Prepare the Whirlpool

- Install the drain to the whirlpool according to the drain manufacturer's instructions. Do not connect the trap at this time.
- Position a clean drop cloth or similar material in the bottom of the whirlpool. Be careful not to scratch the surface of the whirlpool.

Spread a 2" (51 mm) layer of mortar cement.



Apply construction adhesive to the support blocks.



3. Secure the Whirlpool to the Subfloor

NOTICE: Do not lift the whirlpool by the piping or pumps, or use the piping or pumps for structural support of the whirlpool.

- Choose the installation option that best applies to your particular installation. Follow the appropriate instructions.
- If the subfloor is not level, shim the whirlpool support blocks as necessary.

Option for Using a Cement or Mortar Bed

NOTE: Do not use gypsum cement or drywall compound for this application, as they will not provide an acceptable, durable bond.

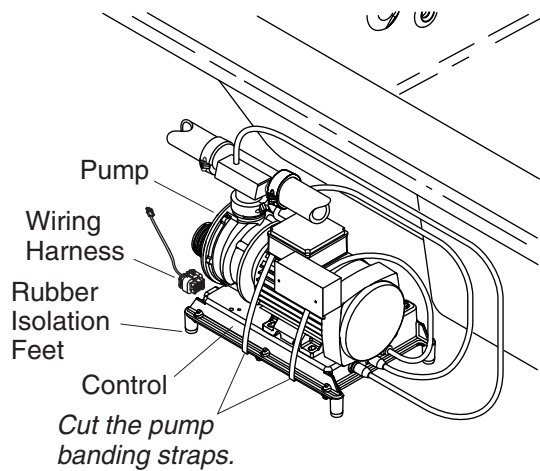
- Spread a 2" (51 mm) thick layer of cement or mortar on the subfloor where the whirlpool will be set. This will help secure, level, and support the unit. Clear all the material away from the pump control locations.

NOTE: The pump controls (when the pump banding straps are cut) must rest directly on the subfloor.

- With help, carefully lift the whirlpool into place, and make sure the pump controls do not rest in the bed material.
- Insert the drain tailpiece into the trap. Make sure the whirlpool is level and resting on all support blocks.

Option for Using Construction Adhesive

- Apply a generous amount of high-quality construction adhesive to the bottom of the support blocks. With help, carefully lift the whirlpool into position.
- Insert the drain tailpiece into the trap. Make sure the whirlpool is level and resting on all support blocks.



4. Cut the Pump Banding Straps

IMPORTANT! This step is necessary to make your KOHLER whirlpool operate more quietly.

- Use tin snips to cut the two pump banding straps from each whirlpool pump.

NOTE: Do not raise the pumps higher than they were before you cut the pump banding straps. If the pumps are raised too high, they will not prime properly. Make sure the rubber isolation feet are in place.

- To minimize whirlpool noise and vibration, be sure the pumps are not in direct contact with the whirlpool after the pump banding straps are cut. The pump controls contain rubber isolation feet to reduce pump noise.

5. Install the Plumbing

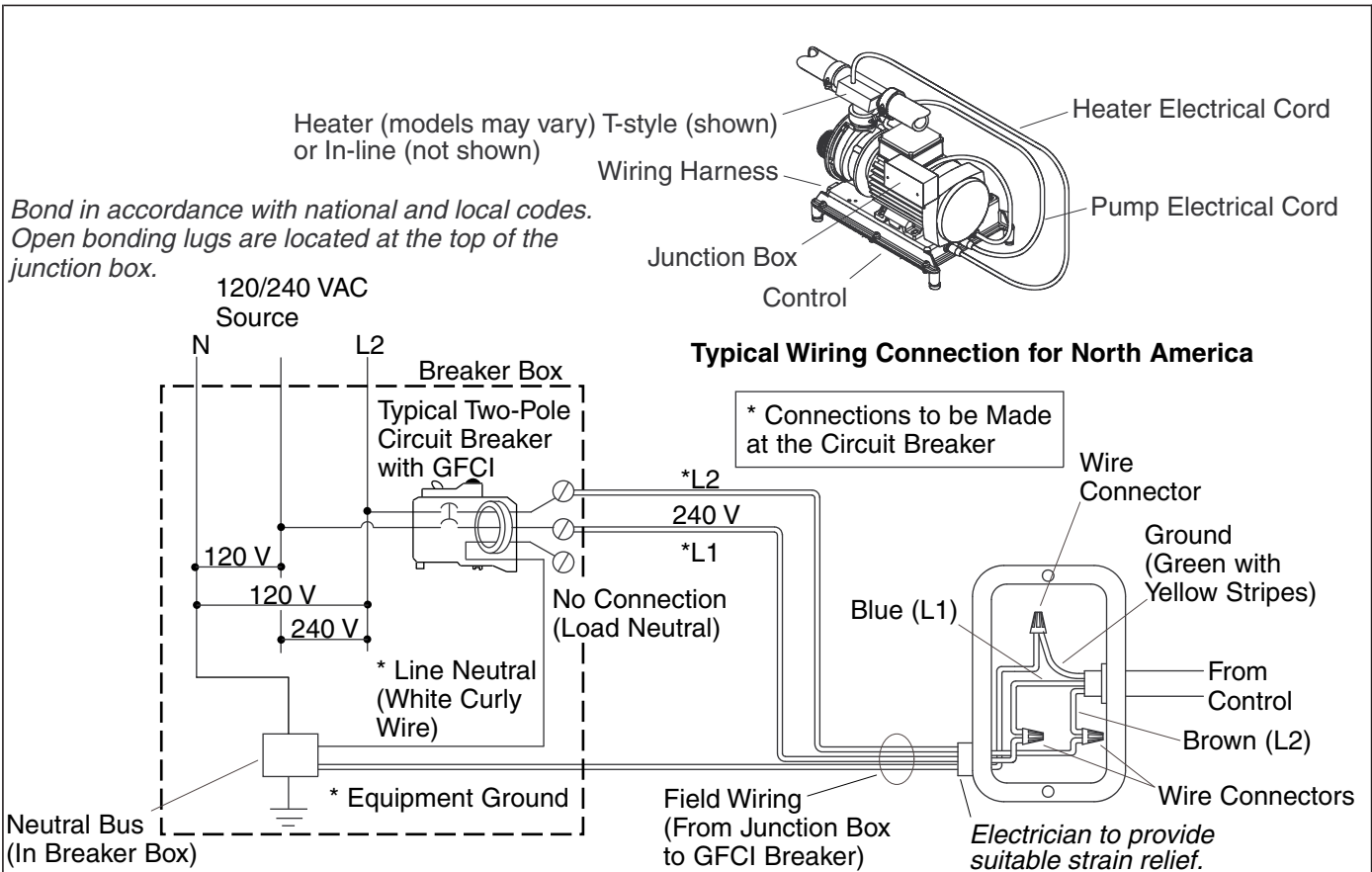


CAUTION: Risk of property damage. Ensure a watertight seal on the whirlpool drain.

- Connect the drain to the trap according to the drain manufacturer's instructions.

NOTICE: An access panel will simplify future maintenance.

- **K-1397 only:** Connect the hot and cold water supply lines to the integral fill valves according to local codes. An additional hole is pre-drilled in the bath shell for the handshower. Install the handshower at this time. Connect the end of the handshower hose to the open port of the transfer valve (beneath the bath rim). Make sure the transfer valve stem is rotated fully clockwise. The transfer valve includes an integral vacuum breaker that protects both the fill spouts and the handshower from water backflow.
- **K-1394 and K-1399 only:** Install the faucet valving according to the faucet manufacturer's instructions. Connect the valving to the whirlpool fill ports (spouts) according to local codes.
- **All models:** Do not install the faucet trim until instructed. Open the hot and cold water supplies, and check the supply connections for leakage.
- Run water into the whirlpool, and check the drain connections for leakage.
- Rotate the transfer valve stem, and check the handshower connections for leakage.



6. Make Electrical Connections

NOTE: The product model number is printed on a label on the pump side of the overflowing bath. This label also identifies the electrical rating of the whirlpool. **These whirlpools come equipped with two wiring junction boxes and are designed to operate between 208 VAC and 240 VAC at either 50 Hz or 60 Hz.**



WARNING: Risk of electrical shock. Make sure the power has been disconnected before performing the following procedures. Refer to the "Important Information" section.



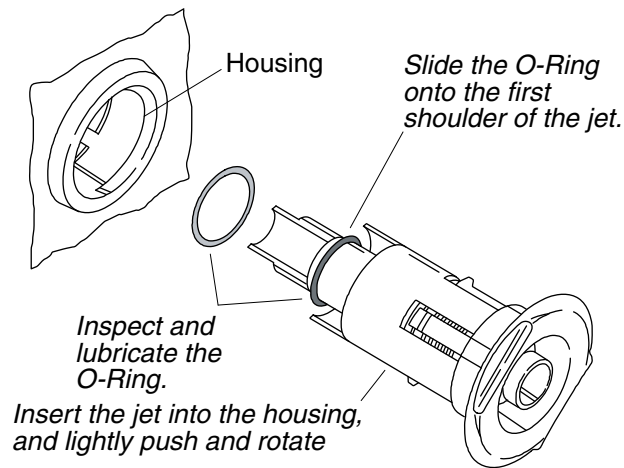
WARNING: Risk of electrical shock. To reduce the risk of electrical shock, connect the pump to a properly grounded Ground-Fault Circuit-Interrupter (GFCI). The heater will also need to be connected to a properly grounded Ground-Fault Circuit-Interrupter (GFCI). This will provide additional protection against line-to-ground shock hazard. Two 208-240 V, 20 A, 50/60 Hz dedicated circuits are required.

IMPORTANT! The **load neutral** is not used. There should be no connection to the **load neutral** terminal on the Ground-Fault Circuit-Interrupter (GFCI) breaker. The green wire with the yellow stripes is the **equipment ground** and needs to be connected to the neutral bus in the main circuit breaker box.

- The control and heater have been pre-wired at the factory. A licensed electrician should make routine service connections to each of the junction boxes.
- Connect service to the junction boxes. Both junction boxes contain blue, brown, and green with yellow stripe colored wires.
- Follow local electrical codes. Bond in accordance with national and local codes.
- A wiring harness has been pre-wired at the factory, allowing communication between the keypad, all features, and the control. No additional wiring is required, but ensure that all wires are securely fastened.

Make Electrical Connections (cont.)

NOTE: Your wiring harness included an antenna for the optional remote control. Do not alter or damage this antenna during installation.



7. Install the Whirlpool Trim Kit

- Install the whirlpool trim kit (if not factory installed) according to the instructions packed with the trim kit. Pay particular attention to the jet installation steps below - they are very important and are included here to help you obtain smooth, trouble-free jet operation.

NOTE: The jet O-ring must be correctly positioned, must be lubricated, and must be in good condition to permit easy rotation and proper operation of the jet.

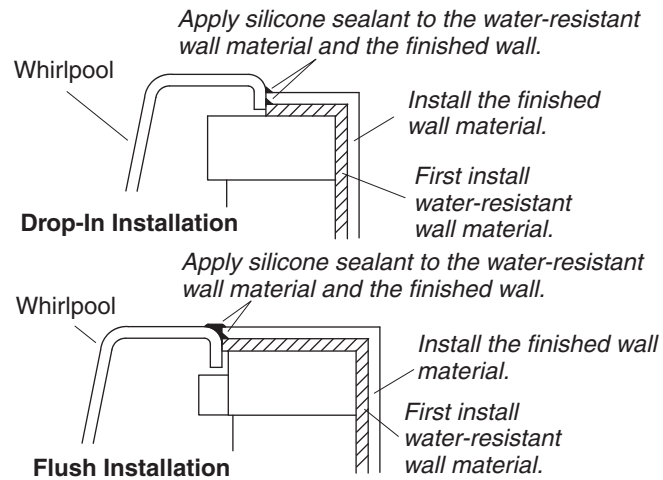
- Install the O-ring onto the **first shoulder** of the jet. Lubricate the O-ring with silicone lubricant to prevent noisy operation of the jet.
- Carefully insert the jet into the housing, and lightly push and rotate the jet until it snaps into position. **Do not force the jet.**

NOTE: When installed correctly, the jet should turn smoothly both clockwise and counterclockwise.

8. Test Run the Whirlpool

- Check all electrical connections, then make sure all union connections to the pumps and heater are securely hand tightened.
- Verify both sets of pump banding straps have been cut and the pump controls are resting directly on the subfloor. Ensure the rubber isolation feet are in place.
- Turn electrical power to the whirlpool on.
- Fill the whirlpool to a level above the water level sensors located on either side of the bath.
- Operate the whirlpool for 5 minutes (refer to the "Operating Sequence" section).
- Check for leaks coming from the piping connections on the back side of the whirlpool unit.
- Turn on each of the whirlpool features and verify proper function. Check for any water leakage on the whirlpool's back side.
- If equipped, turn on the chromatherapy cycle and allow it to sequence through all eight colors; white, violet, indigo blue, aqua blue, green, yellow, orange and red. It takes approximately 1 minute to cycle through all eight colors.
- Verify functions using the remote control. Refer to the "Remote Control Operation" section.

NOTE: For additional information on whirlpool operation, see the "Confirm Proper Operation" section of this guide.



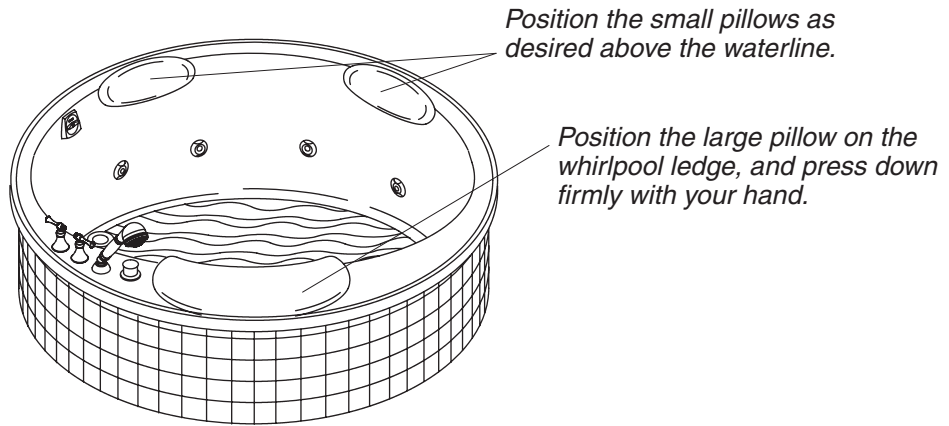
9. Complete the Finished Wall/Deck

- If you have not already done so, carefully remove the protective tape from the whirlpool rim.
- Cover the framing with water-resistant wall material. Seal the joints between the whirlpool rim edge and the water-resistant wall material with silicone sealant.
- Tape and mud the water-resistant wall material. Install the finished wall to the water-resistant wall material so it is 1/16" (2 mm) above the enameled surface. Seal the joints between the whirlpool rim and the finished wall material with silicone sealant.
- Install the faucet trim according to the instructions packed with the trim.

10. Clean-Up After Installation

- When cleaning up after installation, **do not use abrasive cleansers**, as they may scratch and dull the whirlpool surface. If necessary, use warm water and a liquid detergent to clean the surface of the whirlpool, user keypad and remote control.
- Remove stubborn stains, paint, or tar with turpentine or paint thinner. **Do not allow cleaners containing petroleum distillates to remain in contact with any whirlpool surfaces for long periods of time.** Remove plaster by carefully scraping with a wood edge. Do not use metal scrapers, wire brushes, or other metal tools. Use a powder-type detergent on a damp cloth to provide mild abrasive action to any residual plaster.

Three pillows are shown -
four are included

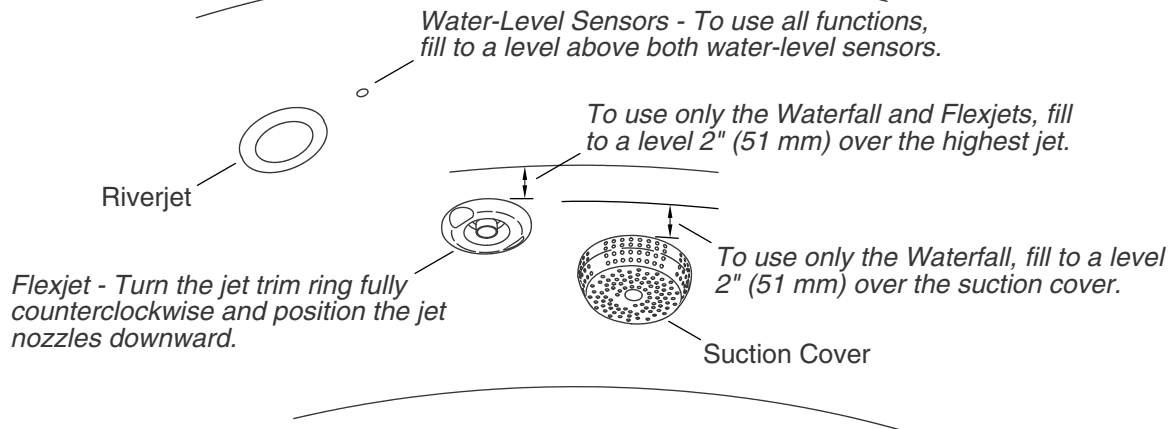


11. Install the Removable Pillows

NOTICE: Do not submerge the pillows underwater or use them as seat cushions.

NOTE: For best attachment to the whirlpool surface, moisten the back surface of the pillows at the suction cup locations.

- Clean the whirlpool surface of any soap film or oils. Suction cups are located on the back side of the pillows. Position the large pillow in the appropriate location on the whirlpool ledge, and press down firmly at the suction cup locations with the heel of your hand. Position the small pillows as desired above the waterline by again pressing down firmly with the heel of your hand. Check to make sure that the pillows are attached firmly to the whirlpool.
- Detach the pillows by lifting them off the whirlpool surface.



12. Confirm Proper Operation

Fill the Whirlpool

NOTE: Please read these steps carefully before you operate your whirlpool.

- Turn the jet trim rings fully counterclockwise. Position the jet nozzles so they face down toward the basin.

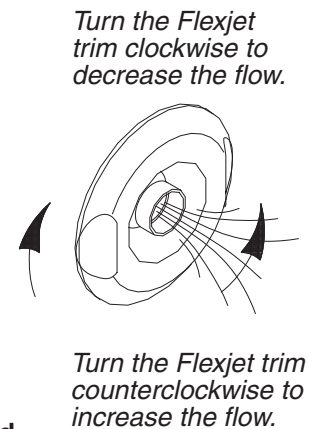
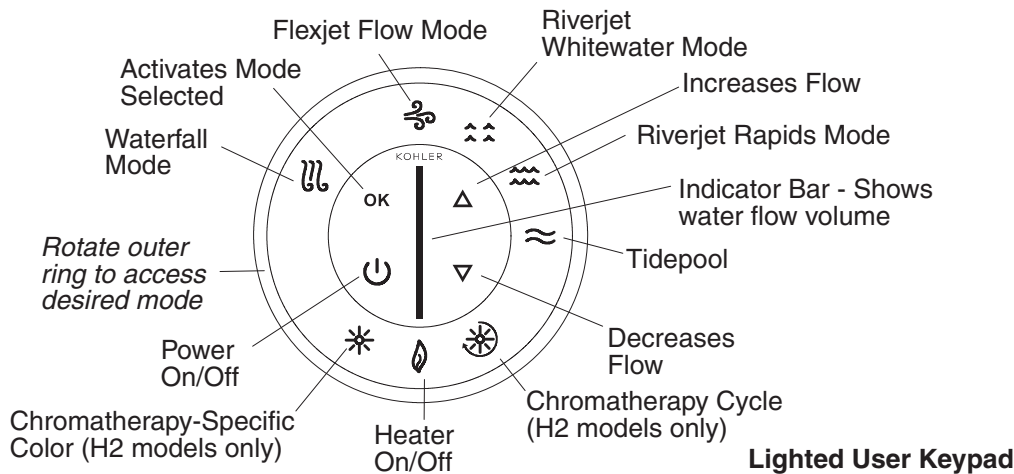
NOTE: For Waterfall only use (no Flexjets or Riverjets), you only need to fill the whirlpool basin to a level about 2" (50 mm) above the top of the suction covers.

NOTE: For Waterfall or Flexjets (no Riverjets), you only need to fill the whirlpool basin to a level about 2" (50 mm) above the top of the highest Flexjet.

- **To operate all functions:** Fill the whirlpool to a level above the water-level sensors on either side of the Riverjets.

NOTE: The Riverjets will only operate if both water-level sensors are completely covered with water. If the water level drops below the sensors, the Riverjets will automatically turn off, and the Flexjets will turn on. The Riverjets and Flexjets will not operate at the same time.

NOTE: The water temperature in the whirlpool should not exceed 104°F (40°C). The heater will automatically turn off as the water temperature approaches 104°F (40°C) and will remain off until the water cools.



13. Operating Sequence

NOTE: A built-in heater automatically helps to maintain the water temperature when the whirlpool is running, as long as the water temperature does not exceed 104°F (40°C). The heater will disengage at higher temperatures.

IMPORTANT! Please refer to your Homeowners Guide for detailed instructions on the user keypad and remote control.

NOTE: Your bath uses two pumps. One pump powers the Waterfall, and the second pump propels water through the Flexjets and Riverjets.

- **To turn the whirlpool on:** Press the Power On/Off button or rotate the outer ring to access a desired mode, as described below.
- **To access a desired mode:** Rotate the outer ring until the button is flashing blue. Press "OK" to activate the mode. The active mode will flash green. To turn off a mode, rotate the outer ring until the button is flashing blue and press "OK" again. Verify each of the features listed below.
- **Waterfall:** When activated, the Waterfall will start to flow at medium volume within several seconds. The Waterfall mode is not heated. Increase or decrease the water flow by pressing either the up or down arrow buttons on the keypad. An indicator bar in the center of the keypad shows the water flow volume. The Waterfall may be used alone, or with any one of the following; Flexjets, Whitewater mode or Rapids mode.
- **Flexjets:** When activated, the Flexjets, located lower in your whirlpool than the Riverjets, will start to flow at medium volume immediately. Increase or decrease the water flow by pressing either the up or down arrow buttons on the keypad. An indicator bar in the center of the keypad shows the water flow volume.
- **Whitewater:** Whitewater mode activates the two outside Riverjets behind your neck to flow at medium volume. Increase or decrease the water flow by pressing either the up or down arrow buttons on the keypad. An indicator bar in the center of the keypad shows the water flow volume.
- **Rapids:** Rapids mode activates the four Riverjets behind your neck to flow at medium volume. Increase or decrease the water flow by pressing either the up or down arrow buttons on the keypad. An indicator bar in the center of the keypad shows the water flow volume.
- **Tidepool:** This feature turns off the air flow to the jets for a soothing, relaxing effect. The Tidepool feature may be used at any time while any of the jets are operating. The Tidepool mode does not affect the Waterfall.

NOTE: Some air may flow from one or more jets for a short time after the Tidepool feature has been activated.

Operating Sequence (cont.)

- **Heater:** The built-in heater automatically helps to maintain the water temperature when any of the jets are operating, as long as the water temperature does not exceed 104°F (40°C). The heater may be turned off at any time while the pumps are operating, by rotating the outer ring until the heater button is flashing and pressing “OK”. Press “OK” again to turn the heater back on.
- Your whirlpool jet system adds air to the water stream (when not in the Tidepool mode) to increase the force of the water flow. Decrease the force of the whirlpool water flow by turning the whirlpool trim rings clockwise until you obtain the desired water force. Turn the trim rings counterclockwise to increase the water flow force.
- Press the Power On/Off button to turn the whirlpool off.

NOTE: A built-in timer automatically stops the pump and motor after approximately 20 minutes of operation.

14. Chromatherapy Operation

Equipped on H2 Models Only

NOTE: Chromatherapy may be used with all modes of operation. Chromatherapy may also be used when the pumps are not operating.

- **Chromatherapy Cycle:** When this mode is activated, the chromatherapy lights will automatically and continuously cycle through the eight colors; white, violet, indigo blue, aqua blue, green, yellow, orange and red. One cycle through all eight colors takes approximately one minute. Rotate the outer ring to select this mode and press “OK” to activate it. Press “OK” while the chromatherapy mode is active, to turn off the lights.
- **Chromatherapy Specific Color Selection:** When this mode is activated, you may choose a specific color for the bath. Rotate the outer ring to select this mode, press “OK” to activate and use the up/down arrows to reach the desired color. Press “OK” while the chromatherapy mode is active, to turn off the lights.

15. Remote Control Operation

NOTE: Refer to your Homeowners Guide for detailed instructions on your remote control.

- The remote control places the whirlpool functions at your fingertips. You may access and modify all modes/features from the remote control. The waterproof remote control is designed to be used in the bath and will float in the water. The remote control uses two AAA batteries.
- The mode selector button functions in the same way as the outer ring. When “M” is pressed, one of the modes will flash on the user keypad. If “M” is pressed again, the next mode in clockwise order will flash. When the desired mode is flashing, press “OK” to activate it.
- When the Flexjets, Waterfall, Whitewater or Rapids mode is active, the arrows will increase or decrease the water flow volume.

Troubleshooting

NOTICE: This section is for general aid only. A Kohler Co. Authorized Service Representative or qualified electrician should correct any electrical problems. For warranty service, call 1-800-4KOHLER from within the USA and Canada, or 001-800-456-4537 from within Mexico.

NOTE: Outside North America, a GFCI may be known as a Residual Current Device (RCD).

Troubleshooting the Whirlpool System

Troubleshooting (cont.)

Symptoms	Probable Causes	Recommended Action
1. User keypad does not illuminate when power button is pressed or outer ring is rotated.	<p>A. No power to control.</p> <p>B. GFCI tripped.</p> <p>C. Wiring harness from user keypad to control is loose, disconnected or damaged.</p> <p>D. User keypad does not work.</p> <p>E. Control does not work.</p>	<p>A. Check wiring and connect power.</p> <p>B. Reset GFCI.</p> <p>C. Check wiring for proper connections. Replace wiring harness if necessary.</p> <p>D. Replace user keypad.</p> <p>E. Replace control.</p>
2. Motor starts, but all jets are not functioning.	<p>A. Jet is closed.</p> <p>B. Jet not installed correctly.</p> <p>C. Jets are blocked.</p>	<p>A. Rotate jet trim counterclockwise to open.</p> <p>B. Reinstall jet; check for O-ring damage.</p> <p>C. Remove blockage.</p>
3. User keypad is illuminated, but does not respond to buttons or outer ring.	<p>A. Control program is locked.</p> <p>B. Wiring harness from user keypad to control is loose, disconnected or damaged.</p> <p>C. User keypad does not work.</p> <p>D. Control does not work.</p>	<p>A. Reset GFCI.</p> <p>B. Check wiring for proper connections. Replace wiring harness if necessary.</p> <p>C. Replace user keypad.</p> <p>D. Replace control.</p>
4. User keypad indicator bar keeps scanning at power-up.	<p>A. Control program is locked.</p> <p>B. Wiring harness from user keypad to control is loose, disconnected or damaged.</p> <p>C. User keypad does not work.</p> <p>D. Control does not work.</p>	<p>A. Reset GFCI.</p> <p>B. Check wiring for proper connections. Replace wiring harness if necessary.</p> <p>C. Replace user keypad.</p> <p>D. Replace control.</p>
5. User keypad is illuminated, but pump won't start.	<p>A. Power cord from pump to control is loose, disconnected or damaged.</p> <p>B. Pump does not work.</p> <p>C. Control does not work.</p>	<p>A. Check wiring for proper connections.</p> <p>B. Replace pump.</p> <p>C. Replace control.</p>
6. Motor runs but pump won't prime (cavitates).	<p>A. Pump is shimmed too high.</p> <p>B. Small air leak at pump inlet.</p> <p>C. Motor/pump does not work.</p> <p>D. Control does not work.</p>	<p>A. Lower pump/control to subfloor level.</p> <p>B. Securely tighten nut(s) on intake side of pump.</p> <p>C. Replace motor/pump.</p> <p>D. Replace control.</p>
7. Little or poor water flow from dual fill ports.	<p>A. Water supply lines blocked.</p> <p>B. Transfer valve not fully open.</p>	<p>A. Remove blockage.</p> <p>B. Rotate transfer valve handle.</p>
8. Little or poor water flow from Waterfall.	<p>A. Suction or harness blocked.</p> <p>B. Pump does not work.</p> <p>C. Control does not work.</p>	<p>A. Remove blockage.</p> <p>B. Replace pump.</p> <p>C. Replace control.</p>
9. Riverjets run, but Whitewater/Rapids jets do not operate as described.	<p>A. Insufficient water in whirlpool basin.</p>	<p>A. Fill whirlpool so water covers water-level sensors.</p>

Troubleshooting (cont.)		
Symptoms	Probable Causes	Recommended Action
	<ul style="list-style-type: none"> B. User keypad does not work. C. Butterfly valve does not work. D. Control does not work. 	<ul style="list-style-type: none"> B. Replace user keypad. C. Check wiring. Replace butterfly valve. D. Replace control.
10. Up/down volume control arrows do not change water flow as described.	<ul style="list-style-type: none"> A. User keypad does not work. B. Pump does not work. C. Control does not work. 	<ul style="list-style-type: none"> A. Check wiring. Replace user keypad. B. Check wiring. Replace pump. C. Check wiring. Replace control.
11. Air flow through jets does not stop when Tidepool mode is activated.	<ul style="list-style-type: none"> A. User keypad does not work. B. Butterfly valve does not work. C. Control does not work. 	<ul style="list-style-type: none"> A. Replace user keypad. B. Check wiring. Replace butterfly valve. C. Check wiring. Replace control.
12. Air continues to flow through one or more jets for several seconds after Tidepool mode is activated.	<ul style="list-style-type: none"> A. Normal operation - air will stop flowing in a short time. 	<ul style="list-style-type: none"> A. No action required.
13. Pump stops before 18 minutes.	<ul style="list-style-type: none"> A. GFCI tripped. B. Suction is blocked. C. Jets are blocked. D. Motor overheated and protection device activated. 	<ul style="list-style-type: none"> A. Identify source of fault, and correct. Reset GFCI. B. Remove obstruction. C. Remove blockage. D. Check for blockage at suction and/or jets. Remove blockage and allow motor to cool.
14. Pump does not automatically stop after 22 minutes.	<ul style="list-style-type: none"> A. 20-minute timer inadvertently disabled. 	<ul style="list-style-type: none"> A. See service manual.
15. Pump won't turn off when the power button on user keypad is pressed.	<ul style="list-style-type: none"> A. User keypad does not work. B. Control does not work. 	<ul style="list-style-type: none"> A. Replace user keypad. B. Replace control.
16. Pump operates but variable speed feature does not work.	<ul style="list-style-type: none"> A. Motor/pump does not work. B. Control does not work. 	<ul style="list-style-type: none"> A. Replace motor/pump. B. Replace control.
17. Bath water cools while pump is operating.	<ul style="list-style-type: none"> A. Water temperature above 104°F (40°C). B. Heater is turned off on user keypad. C. Wiring from heater to control is loose, disconnected or damaged. D. Heater does not work. E. Control does not work. 	<ul style="list-style-type: none"> A. Allow bath water to cool. B. Turn heater on. C. Check wiring for proper connections. D. Replace heater. E. Replace control.
18. Noisy operation.	<ul style="list-style-type: none"> A. Pump banding straps have not been cut. B. Dry or dislodged jet O-ring (squeal). 	<ul style="list-style-type: none"> A. Cut pump banding straps with tin snips. B. Remove jet, replace and lubricate O-ring, and reinstall jet.
19. Remote control (if equipped) does not work.	<ul style="list-style-type: none"> A. Batteries improperly installed or dead. B. Antenna on wiring harness is damaged. 	<ul style="list-style-type: none"> A. Replace batteries. B. Replace wiring harness.

Troubleshooting (cont.)		
Symptoms	Probable Causes	Recommended Action
	<ul style="list-style-type: none"> C. Remote control not programmed correctly. D. Remote control does not work. E. Control does not work. 	<ul style="list-style-type: none"> C. See homeowners guide or service manual. D. Replace remote control. E. Replace control.
Troubleshooting the Chromotherapy Lights - H2 Models Only		
Symptoms	Probable Causes	Recommended Action
20. Chromotherapy lights do not work.	<ul style="list-style-type: none"> A. Loose, disconnected or damaged wiring/connections. B. Control does not work. 	<ul style="list-style-type: none"> A. Check wiring for proper connections. Replace wiring if necessary. B. Replace control.

Guide d'installation

Baignoire à hydromassage ronde

Informations importantes



AVERTISSEMENT: Lors de l'utilisation de produits électriques, toujours observer les précautions de base, notamment:



DANGER: Risque de choc électrique. Raccorder uniquement à un circuit protégé par des disjoncteurs de fuite de terre (GFCI)*.

Les matériaux de construction et le câblage doivent être acheminés loin du corps de la pompe et des autres composants de l'appareil qui dégagent de la chaleur.

Installer de façon à permettre l'accès pour l'entretien.

Un connecteur à pression pour câbles marqué "Earth/Ground" (Terre/Masse) est fourni dans le compartiment de câblage. Afin de réduire les risques de choc électrique, raccorder ce connecteur à une borne de terre du panneau de service électrique ou du panneau d'alimentation avec un câble en cuivre ayant la même dimension que le conducteur du circuit qui alimente cet équipement.

Des connecteurs à pression par câble sont fournis sur l'extérieur de la boîte de jonction ou de la commande incluse dans cet appareil afin de permettre la connexion d'un conducteur de mise à la terre entre cet appareil et toutes les autres surfaces de métal avoisinantes, tel que requis par les normes locales.

Une borne de mise à la terre est incluse dans le boîtier du câblage sur place. Pour réduire les risques d'électrocution, cette borne doit être raccordée à un dispositif de mise à la terre fourni dans le panneau d'alimentation électrique, avec un conducteur ayant le même calibre que celui des conducteurs du circuit qui alimente cet équipement.

Une mise à la terre est requise. L'appareil doit être installé par un représentant qualifié et doit être mis à la terre.



AVERTISSEMENT: Risque de blessures ou d'endommagement du matériel. Toutes les instructions doivent être lues avec la plus grande attention avant de commencer l'installation, et toutes les conditions suivantes doivent être respectées.



AVERTISSEMENT: Risque de choc électrique. Un électricien qualifié doit effectuer toutes les connexions électriques.



AVERTISSEMENT: Risque de choc électrique. Déconnecter l'alimentation électrique avant d'effectuer un entretien.

AVIS: Respecter tous les codes de plomberie et électriques locaux. Installer cet appareil conformément au Code canadien de l'électricité, Partie 1.

*Hors de l'Amérique du Nord, ce dispositif peut être connu sous le nom de dispositif à courant résiduel (RCD).

Information sur le produit

Installations électriques requises

Cette installation doit être munie de deux disjoncteurs de fuite de terre (GFCI) de classe A. Les disjoncteurs GFCI protègent contre les risques d'électrocution ligne-terre. **Utiliser deux alimentations dédiées de 220-240 V, 20 A, 50/60 Hz; une pour chaque système de pompe/commande/chauffe-eau.**

Information sur le produit (cont.)

Notices du produit



AVERTISSEMENT: Des modifications non approuvées pourraient provoquer un fonctionnement dangereux et une mauvaise performance de la baignoire à hydromassage. Ne pas déplacer les pompes de la baignoire à hydromassage et ne pas effectuer d'autres modifications sur le système d'hydromassage car cela pourrait affecter la performance et la sécurité de la baignoire à hydromassage. Kohler Co. décline toute responsabilité sous sa garantie et pour toutes blessures ou tous dommages causés par de telles modifications non autorisées.

Caractéristiques

Les composants incluent deux pompes, deux commandes, un chauffe-eau, une cascade (Waterfall), des buses Flexjet et Riverjet, des lampes de chromathérapie (modèle H2 seulement), un robinet de remplissage intégral (K-1397 seulement) et un clavier lumineux avec télécommande.

Connexions et accès pour l'entretien

Avant d'effectuer l'installation, s'assurer d'avoir un accès adéquat aux connexions finales.

AVIS: Prévoir un large espace non restreint pour l'accès aux pompes. Il faut prévoir un panneau d'accès d'un minimum de 48" (1220 mm) de largeur x 15" (381 mm) de hauteur pour l'entretien des pompes et des commandes. L'accès doit être situé juste à côté des pompes.

Sommaire

Informations importantes	1
Information sur le produit	1
Installations électriques requises	1
Notices du produit	2
Caractéristiques	2
Connexions et accès pour l'entretien	2
Avant de commencer	2
Outils et matériaux	3
Préparer le site	4
Préparer la baignoire à hydromassage	4
Fixer la baignoire à hydromassage sur le sous-plancher	5
Couper les sangles de retenue de la pompe	6
Installer la plomberie	6
Effectuer les raccordements électriques	7
Installer le kit de garniture de la baignoire à hydromassage	9
Effectuer un essai de fonctionnement de la baignoire à hydromassage	9
Terminer la finition murale/plate-forme	11
Nettoyer après l'installation	11
Poser les coussins amovibles	12
Confirmer le bon fonctionnement	13
Séquence de fonctionnement	14
Fonctionnement avec chromathérapie	15
Fonctionnement de la télécommande	15
Dépannage	15

Avant de commencer

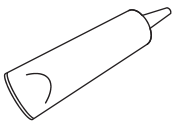
AVIS: Ne pas soulever la baignoire à hydromassage par la tuyauterie ou la pompe et ne pas utiliser la tuyauterie ou la pompe comme support structurel de la baignoire à hydromassage.

- Nous recommandons cette baignoire à hydromassage pour des installations à encastrer par le dessus ou affleurantes.

Avant de commencer (cont.)

- Inspecter la baignoire à hydromassage avant de commencer l'installation.
- Cette baignoire à hydromassage doit être installée sur un sous-plancher nivelé et supporté de manière adéquate.
- Le modèle K-1397 comporte un système de remplissage intégral utilisant des orifices de remplissage doubles des deux côtés de la cascade et une robinetterie préinstallée.
- Les modèles K-1394 et K-1399 permettent d'utiliser la robinetterie de remplissage de son choix: soit les orifices de remplissage doubles préinstallés, soit un bec de remplissage séparé. Vérifier que le support est adéquat pour un robinet à montage sur rebord, le cas échéant; les robinets de grande taille sur lesquels on pourrait s'appuyer par inadvertance ne sont pas appropriés ni sécuritaires pour cette installation.
- Consulter les codes locaux et nationaux.

Outils et matériaux



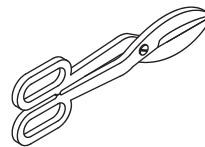
Mastic silicone



Mètre Ruban



Crayon à Papier



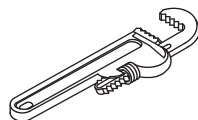
Cisaille de ferblantier



Niveau à Bulles



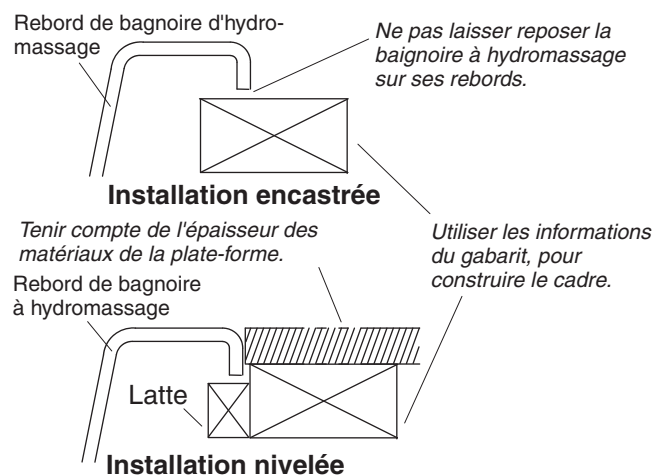
Lunettes de Protection



Clé à griffes

Plus:

- Outils et matériaux habituels du travail du bois
- Tissu protecteur
- Ciment, mortier ou adhésif de construction
- 2 x 4's



1. Préparer le site

AVIS: Ne pas soutenir la baignoire à hydromassage par le rebord.

AVIS: Prévoir un support de plancher adéquat.

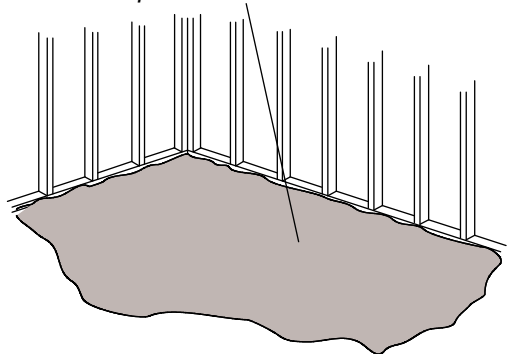
AVIS: Mesurer le produit en question pour la préparation du site. Noter le **numéro de modèle** se trouvant sur la pompe de la baignoire à hydromassage, puis consulter les informations supplémentaires à la page du produit sur le site www.kohler.com.

- S'assurer que le sol offre un support adéquat pour la baignoire à hydromassage et vérifier que le sous-plancher est plat et nivelé.
- La baignoire à hydromassage doit être installée encastrée par le dessus ou affleurante. Construire un support en montants de 2x4, en béton ou en briques pour l'installation considérée. Construire le cadre de plancher ou le cadre ou support requis s'il s'agit d'une installation surélevée.
- À l'aide du gabarit emballé avec la baignoire, tracer et découper soigneusement le matériau plate-forme brut. Pour les installations affleurantes, tenir compte de l'épaisseur du matériau de plate-forme prévu.
- Positionner la plomberie. Boucher les arrivées d'eau et vérifier l'étanchéité.

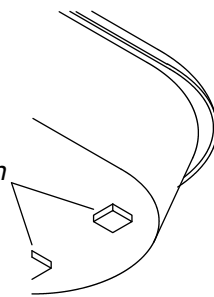
2. Préparer la baignoire à hydromassage

- Installer l'écoulement sur la baignoire à hydromassage conformément aux instructions du fabricant d'écoulement. Ne pas raccorder le siphon pour l'instant.
- Placer une toile de protection propre ou un matériau similaire dans le fond de la baignoire à hydromassage. Veiller à ne pas rayer la surface de la baignoire à hydromassage.

Étaler une couche de mortier de ciment de 2" (51 mm) sur le sous-plancher.



Appliquer un adhésif de construction sur les cales de support.



3. Fixer la baignoire à hydromassage sur le sous-plancher

AVIS: Ne pas soulever la baignoire à hydromassage par la tuyauterie ou les pompes et ne pas utiliser la tuyauterie ou les pompes comme support structurel de la baignoire à hydromassage.

- Choisir l'option d'installation qui convient le mieux à l'installation particulière considérée. Suivre les instructions appropriées.
- Si le sous-plancher n'est pas de niveau, placer des cales d'appui sous la baignoire à hydromassage comme il se doit.

Option d'utilisation d'un lit de ciment ou de mortier

REMARQUE: Ne pas utiliser de plâtre dur ou un mélange pour cloison sèche pour cette installation, car ces produits n'offrent pas une adhérence acceptable et durable.

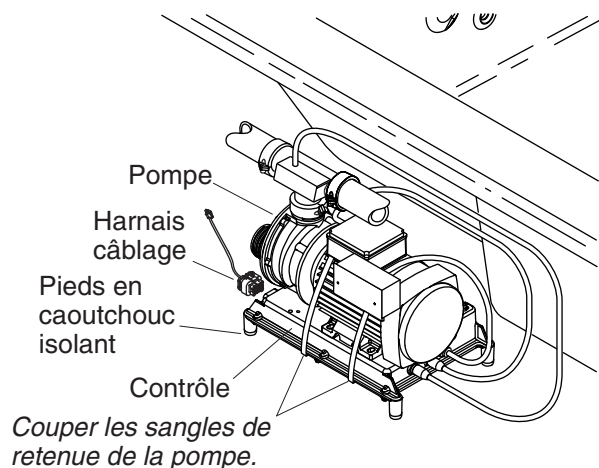
- Étaler une couche de 2" (51 mm) de ciment ou de mortier sur le sous-plancher à l'emplacement d'installation de la baignoire à hydromassage. Ceci aidera à sécuriser, niveler et soutenir l'installation. Nettoyer tout le matériau se trouvant sur les emplacements de commande de la pompe.

REMARQUE: Les commandes de la pompe (une fois que les sangles de retenue de la pompe ont été coupées) doivent reposer directement sur le sous-plancher.

- En se faisant aider, soulever la baignoire avec précaution pour la mettre en place et s'assurer que les commandes de la pompe ne reposent pas sur le matériau du lit.
- Insérer la pièce de raccordement de l'écoulement dans le siphon. S'assurer que la baignoire à hydromassage est de niveau et qu'elle repose sur toutes les cales d'appui.

Option d'utilisation d'un adhésif de construction

- Appliquer une généreuse quantité d'adhésif de construction de bonne qualité sur la base des cales. En se faisant aider, soulever la baignoire à hydromassage avec précaution pour la mettre en place.
- Insérer la pièce de raccordement de l'écoulement dans le siphon. S'assurer que la baignoire à hydromassage est de niveau et qu'elle repose sur toutes les cales d'appui.



4. Couper les sangles de retenue de la pompe

IMPORTANT! Cette étape est nécessaire pour que la baignoire à hydromassage KOHLER fonctionne plus silencieusement.

- Utiliser des cisailles de ferblantier pour couper les deux sangles de retenue de pompe de chaque pompe de la baignoire à hydromassage.

REMARQUE: Ne pas soulever les pompes à un niveau supérieur à celui avant la coupure des sangles de retenue de la pompe. Si les pompes sont trop élevées, elle ne s'amorcent pas correctement. S'assurer que les pieds isolants en caoutchouc sont en place.

- Pour réduire le bruit et les vibrations de la baignoire à hydromassage, s'assurer que les pompes ne touchent pas la baignoire à hydromassage après avoir coupé les sangles de retenue des pompes. Les commandes de la pompe contiennent des pieds d'isolation en caoutchouc pour réduire le bruit de la pompe.

5. Installer la plomberie

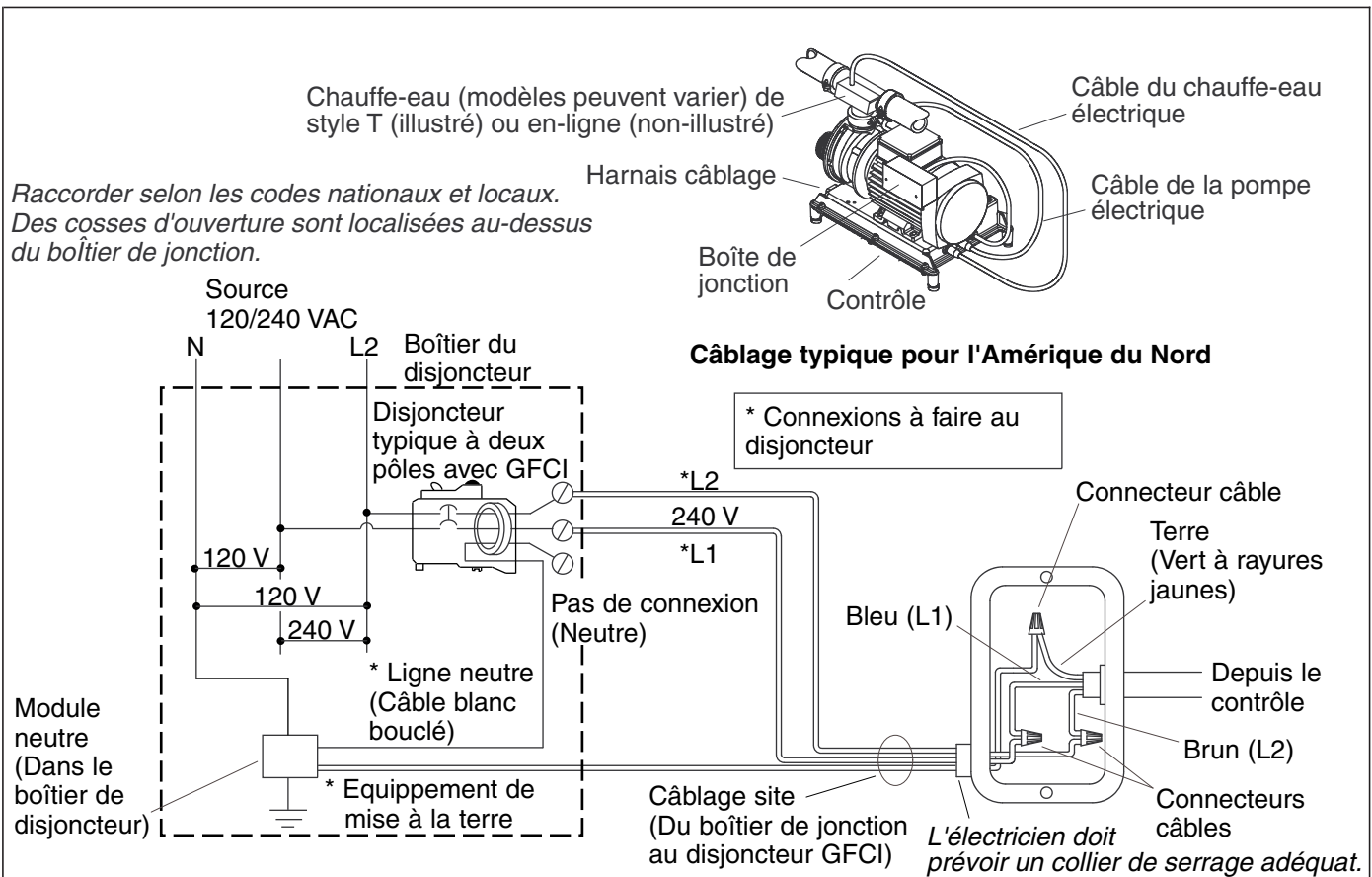


ATTENTION: Risque de dommages matériels. Assurer un joint étanche à l'eau sur l'écoulement de la baignoire à hydromassage.

- Raccorder l'écoulement au siphon conformément aux instructions du fabricant d'écoulement.

AVIS: Un panneau d'accès permet de simplifier les entretiens futurs.

- **K-1397 seulement:** Raccorder les conduites d'arrivée d'eau chaude et froide aux robinets de remplissage intégraux conformément aux codes locaux. Un orifice supplémentaire est prépercé dans la coque de la baignoire pour la douche. Installer la douche maintenant. Raccorder l'extrémité du tuyau de douche à l'orifice libre du robinet coupleur (sous le rebord de baignoire). S'assurer que la tige du robinet coupleur est tournée à fond dans le sens des aiguilles d'une montre. Le robinet coupleur comporte un casse-vide intégral qui protège à la fois les becs de remplissage et la douche contre les refoulements d'eau.
- **K-1394 et K-1399 seulement:** Installer la robinetterie selon les instructions du fabricant du robinet. Raccorder la robinetterie aux orifices des remplissage de la baignoire à hydromassage (becs) conformément aux codes locaux.
- **Tous les modèles:** Ne pas installer la garniture du robinet avant d'en recevoir l'instruction. Ouvrir les arrivées d'eau chaude et froide et vérifier l'étanchéité des raccordements d'arrivée.
- Laisser couler l'eau dans la baignoire à hydromassage et vérifier l'étanchéité des raccordements d'écoulement.
- Tourner la tige du robinet coupleur et vérifier l'étanchéité des raccordements de douche.



6. Effectuer les raccordements électriques

REMARQUE: Le numéro de modèle du produit est imprimé sur une étiquette placée du côté pompe de la baignoire. Cette étiquette identifie également les caractéristiques électriques de la baignoire à hydromassage. **Ces baignoires à hydromassage sont équipées de deux boîtes de jonction et sont conçues pour fonctionner entre 208 et 240 V c.a., à 50 ou 60 Hz.**



AVERTISSEMENT: Risque de choc électrique. S'assurer que l'alimentation a été débranchée avant d'effectuer les procédures suivantes. Se reporter à la section "Informations importantes".



AVERTISSEMENT: Risque de choc électrique. Pour réduire les risques de choc électrique, raccorder la pompe à un disjoncteur de fuite de terre (GFCI) correctement mis à la terre. Le chauffe-eau doit également être raccordé à un disjoncteur de fuite de terre (GFCI) correctement mis à la terre. Ceci offre une protection supplémentaire contre le risque de choc électrique phase-terre. Deux circuits dédiés de 208-240 V, 20 A, 50/60 Hz sont nécessaires.

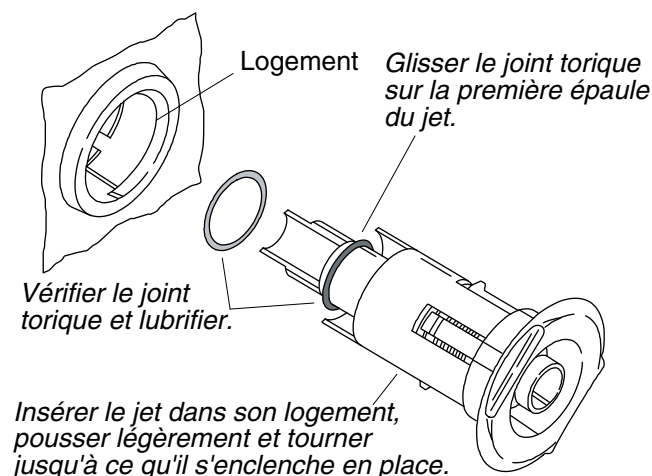
IMPORTANT! Le **neutre** n'est pas utilisé. Veiller à ne rien raccorder à la borne de **neutre** sur le disjoncteur de fuite de terre (GFCI). Le fil vert à rayures jaunes est la **terre de l'équipement** et doit être raccordé au bus de neutre du boîtier de disjoncteur principal.

- La commande de la baignoire à hydromassage et le système ont été précâblés en usine. Un électricien agréé doit effectuer le raccordement normal de chacune des boîtes de jonction au réseau électrique.
- Raccorder les boîtes de jonction au réseau électrique. Les deux boîtes de jonction contiennent des fils de couleur bleue, marron et verte à rayures jaunes.
- Suivre tous les codes électriques locaux. Effectuer les raccordements de masse conformément aux codes nationaux et locaux.

Effectuer les raccordements électriques (cont.)

- Un faisceau de câblage a été précâblé en usine pour la communication entre le clavier, toutes les fonctionnalités et la commande. Aucun câblage supplémentaire n'est nécessaire, mais s'assurer que tous les fils sont bien sécurisés.

REMARQUE: Le faisceau de câblage comporte une antenne pour la télécommande en option. Ne pas modifier ni endommager cette antenne pendant l'installation.



7. Installer le kit de garniture de la baignoire à hydromassage

- Installer le kit de garniture de la baignoire à hydromassage conformément aux instructions qui accompagnent ce kit. Observer avec attention les instructions d'installation des jets ci-dessous - elles sont très importantes et sont fournies ici pour assurer un fonctionnement sans problème.

REMARQUE: Le joint torique du jet doit être positionné correctement, lubrifié et en bon état pour permettre une rotation facile et un bon fonctionnement du jet.

- Poser le joint torique sur le **premier épaulement** du jet. Lubrifier le joint torique avec du lubrifiant à la silicone afin d'éviter le fonctionnement bruyant du jet.
- Insérer avec précaution le jet dans le logement, puis appuyer légèrement sur le jet et le tourner jusqu'à ce qu'il s'enclenche en place. **Ne pas forcer sur le jet.**

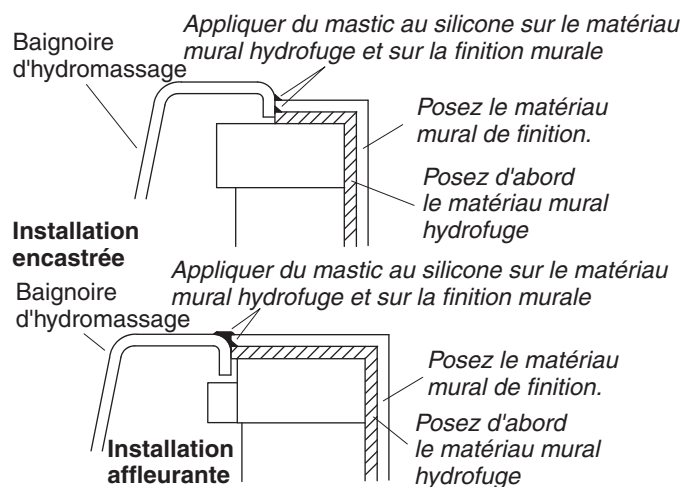
REMARQUE: Lorsqu'il est installé correctement, le jet doit pouvoir tourner sans difficulté dans un sens comme dans l'autre.

8. Effectuer un essai de fonctionnement de la baignoire à hydromassage

- Contrôler toutes les connexions électriques, puis vérifier que tous les raccords union sur les pompes et les chauffe-eau sont bien serrés à la main.
- S'assurer également que les deux ensembles de bandes de retenue des pompes ont été coupés et que les commandes de la pompe reposent directement sur le sous-plancher. S'assurer que les pieds isolants en caoutchouc sont en place.
- Mettre la baignoire à hydromassage sous tension.
- Remplir la baignoire à hydromassage jusqu'au-dessus des capteurs de niveau d'eau situés des deux côtés de la baignoire.
- Faire fonctionner la baignoire à hydromassage pendant 5 minutes (se référer à la section "Séquence de fonctionnement").
- Vérifier l'étanchéité des raccordements de tuyauterie à l'arrière de la baignoire à hydromassage.
- Mettre en marche chaque option de la baignoire à hydromassage et vérifier son bon fonctionnement. Vérifier l'absence de fuites d'eau sur l'arrière de la baignoire à hydromassage.
- Le cas échéant, mettre le cycle de chromothérapie en marche et le laisser passer par le cycle de huit couleurs; blanc, violet, bleu indigo, aigue-marine, vert, jaune, orange et rouge. Le cycle des huit couleurs dure à peu près 1 minute.
- Vérifier ces fonctions en utilisant la télécommande. Se référer à la section "Fonctionnement de la télécommande".

Effectuer un essai de fonctionnement de la baignoire à hydromassage (cont.)

REMARQUE: Pour plus d'informations concernant le fonctionnement de la baignoire à hydromassage, consulter la section "Confirmer le bon fonctionnement" de ce guide.



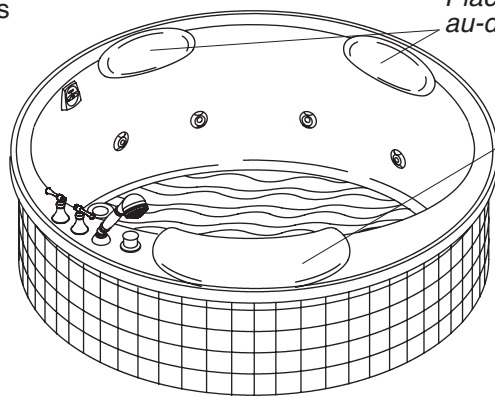
9. Terminer la finition murale/plate-forme

- Si cela n'a pas encore été fait, retirer avec précaution la pellicule de protection recouvrant le rebord de la baignoire à hydromassage.
- Habiller l'ossature avec un matériau mural résistant à l'eau. Sceller les joints entre le rebord de la baignoire à hydromassage et le matériau mural avec du mastic à la silicone.
- Poser les rubans de joint et enduire le matériau mural résistant à l'eau. Poser la finition murale sur le matériau mural résistant à l'eau à 1/16" (2 mm) au-dessus de la surface émaillée. Sceller les joints entre le rebord de la baignoire à hydromassage et le matériau de finition murale avec du mastic à la silicone.
- Installer la garniture du robinet conformément les instructions qui l'accompagnent.

10. Nettoyer après l'installation

- Lors du nettoyage après l'installation, **ne pas utiliser de nettoyeurs abrasifs**, afin de ne pas rayer ni ternir la surface de la baignoire à hydromassage. Le cas échéant, utiliser de l'eau chaude et un détergent liquide pour nettoyer la surface de la baignoire à hydromassage, le clavier utilisateur et la télécommande.
- Éliminer les taches résistantes, la peinture ou le goudron avec de l'essence de térébenthine ou un diluant pour peinture. **Ne pas laisser de nettoyeurs à base de distillats de pétrole rester en contact avec les surfaces de la baignoire à hydromassage pendant une longue période.** Retirer les résidus de plâtre en raclant avec précaution avec un rebord en bois. Ne pas utiliser de grattoir en métal, de brosses métalliques ou d'autres outils en métal. Utiliser un détergent en poudre sur un chiffon humide pour fournir une action abrasive légère sur les résidus de plâtre.

Trois coussins sont représentés
- quatre coussins sont inclus



Placer les petits coussins à l'endroit souhaité au-dessus de la ligne de niveau d'eau.

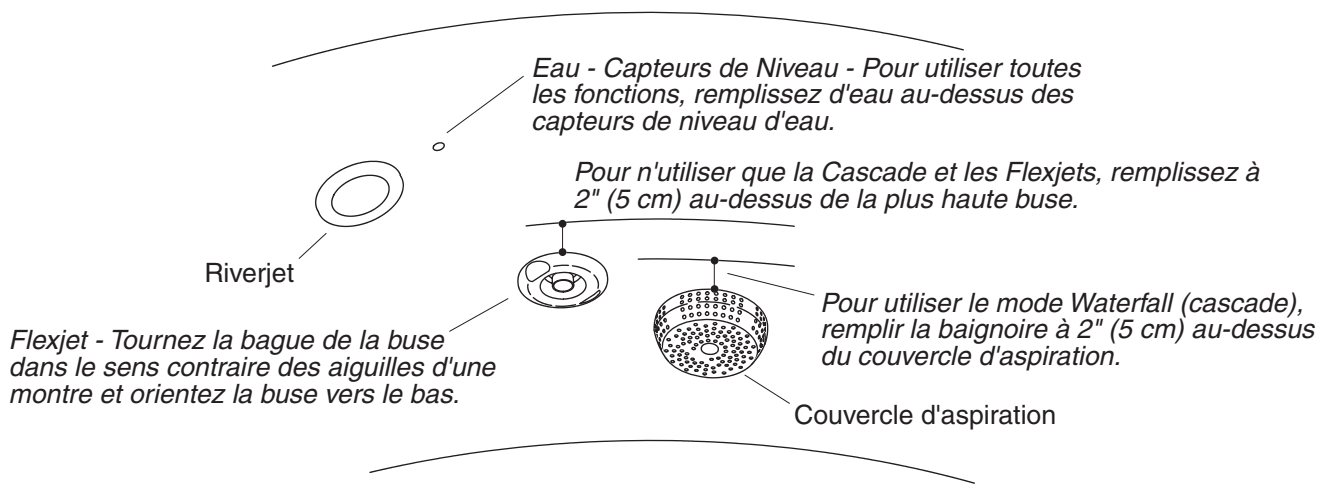
Positionner le grand coussin sur le rebord de la baignoire, et appuyer fermement avec la paume de la main.

11. Poser les coussins amovibles

AVIS: Ne pas submerger les coussins dans l'eau et ne pas les utiliser en tant que sièges.

REMARQUE: Pour obtenir une meilleure adhérence à la surface de la baignoire à hydromassage, humecter la surface des ventouses à l'arrière des coussins.

- Éliminer toute trace de savon ou d'huiles de la surface de la baignoire à hydromassage. Il y a des ventouses sur la face arrière des coussins. Placer le grand coussin à l'endroit qui convient sur le rebord de la baignoire à hydromassage et appuyer fermement au niveau des ventouses du talon de la main. Placer les petits coussins aux endroits souhaités au-dessus de la ligne d'eau en appuyant fermement du talon de la main. Vérifier que les coussins sont bien attachés sur la baignoire à hydromassage.
- Pour détacher les coussins, les soulever de la surface de la baignoire à hydromassage.



12. Confirmer le bon fonctionnement

Remplir la baignoire à hydromassage

REMARQUE: Lire ces étapes avec attention avant de faire fonctionner la baignoire à hydromassage.

- Tourner les bague de garniture des jets entièrement dans le sens contraire des aiguilles d'une montre. Orienter les buses des jets vers le fond du bain.

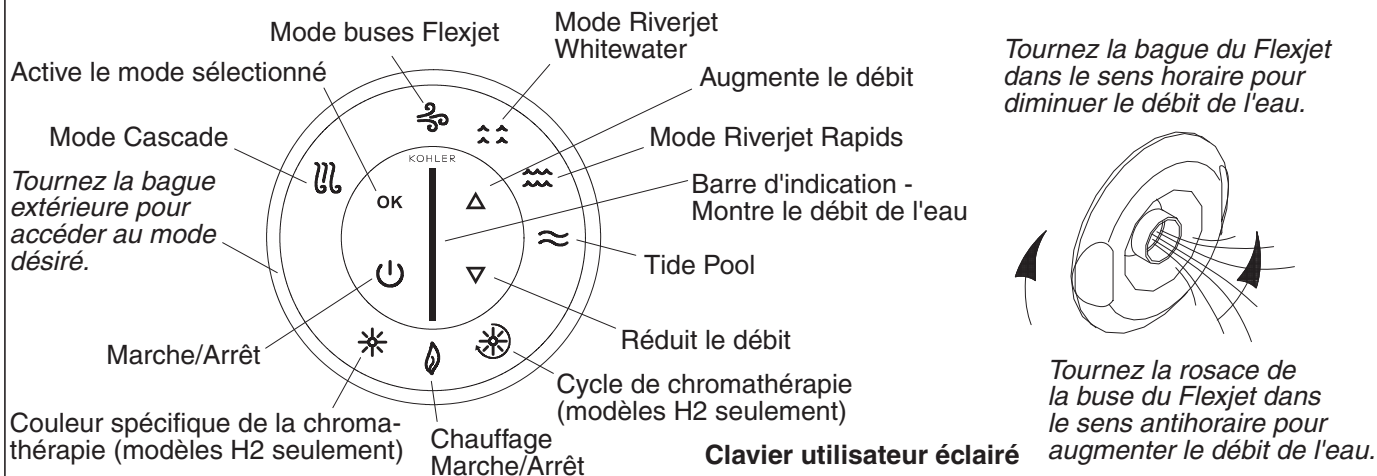
REMARQUE: Pour l'utilisation de la cascade (Waterfall) seulement (pas les jets Flexjet ou Riverjet), il suffit de remplir le bain jusqu'à environ 2" (50 mm) au-dessus du haut des couvercles d'aspiration.

REMARQUE: Pour l'utilisation de la cascade ou des jets Flexjet (pas Riverjet), il suffit de remplir le bain jusqu'à environ 2" (50 mm) au-dessus du haut du Flexjet le plus haut.

- **Pour utiliser toutes les fonctions:** Remplir la baignoire à hydromassage jusqu'au-dessus des capteurs de niveau d'eau d'un côté ou de l'autre des jets Riverjet.

REMARQUE: Les jets Riverjet fonctionnent uniquement si les capteurs de niveau d'eau sont complètement couverts d'eau. Si le niveau de l'eau passe en-dessous des capteurs, les jets Riverjet se coupent automatiquement et les Flexjet sont activés. Les jets Riverjet et Flexjet ne fonctionnent pas en même temps.

REMARQUE: La température de l'eau de la baignoire à hydromassage ne doit pas dépasser 104°F (40°C). Le chauffe-eau s'arrête automatiquement lorsque la température de l'eau s'approche de 104°F (40°C) et il reste coupé jusqu'à ce que l'eau refroidisse.



13. Séquence de fonctionnement

REMARQUE: Un chauffe-eau intégré aide à maintenir automatiquement la température de l'eau lorsque la baignoire à hydromassage fonctionne, tant que la température de l'eau ne dépasse pas 104°F (40°C). Le chauffe-eau se coupe aux températures plus hautes.

IMPORTANT! Consulter le guide du propriétaire pour de plus amples informations sur le clavier utilisateur et la télécommande.

REMARQUE: Cette baignoire utilise deux pompes. L'une des pompes alimente la cascade et l'autre pulse l'eau à travers les jets Flexjet et Riverjet.

- **Pour mettre la baignoire à hydromassage en marche:** Appuyer sur la touche Marche/Arrêt ou tourner la bague extérieure pour accéder au mode souhaité, tel que décrit ci-dessous.
- **Pour accéder au mode souhaité:** Tourner la bague extérieure jusqu'à ce que la touche clignote en bleu. Appuyer sur "OK" pour activer le mode. Le mode activé clignote en vert. Pour arrêter un mode, tourner la bague extérieure jusqu'à ce que la touche clignote en bleu et appuyer de nouveau sur "OK". Vérifier chacune des fonctions indiquées ci-dessous.
- **Cascade:** Lorsqu'elle est activée, la cascade commence à s'écouler à un débit moyen au bout de quelques secondes. Le mode Cascade n'est pas chauffé. Augmenter ou diminuer le débit de l'eau en appuyant sur les flèches haut ou bas du clavier. Une barre indicatrice située au centre du clavier indique le débit d'eau. Le mode Cascade peut être utilisé seul ou avec l'un quelconque des modes suivants: Flexjet, Whitewater ou Rapids.
- **Flexjet:** Lorsqu'ils sont activés, les jets Flexjets situés plus bas dans la baignoire à hydromassage que les Riverjet, démarrent immédiatement à un débit moyen. Augmenter ou diminuer le débit de l'eau en appuyant sur les flèches haut ou bas du clavier. Une barre indicatrice située au centre du clavier indique le débit d'eau.
- **Whitewater:** Le mode Whitewater active les deux jets Riverjet extérieurs derrière la nuque à un débit moyen. Augmenter ou diminuer le débit de l'eau en appuyant sur les flèches haut ou bas du clavier. Une barre indicatrice située au centre du clavier indique le débit d'eau.
- **Rapids:** Le mode Rapids active les quatre jets Riverjet derrière la nuque à un débit moyen. Augmenter ou diminuer le débit de l'eau en appuyant sur les flèches haut ou bas du clavier. Une barre indicatrice située au centre du clavier indique le débit d'eau.
- **Tidepool:** Cette fonction coupe le débit d'air vers les jets pour produire un effet relaxant et apaisant. La fonction Tidepool peut être utilisée à tout moment, quels que soient les jets activés. Le mode Tidepool est sans effet sur la cascade.

REMARQUE: Une petite quantité d'air peut sortir d'un ou plusieurs jets peu après que la fonction Tidepool a été activée.

Séquence de fonctionnement (cont.)

- **Chauffe-eau:** Un chauffe-eau intégré aide à maintenir automatiquement la température de l'eau lorsque des jets sont activés, tant que la température de l'eau ne dépasse pas 104°F (40°C). Le chauffe-eau peut être coupé à tout moment durant la marche de la pompe en tournant la bague extérieure jusqu'à ce que la touche du chauffe-eau clignote puis en appuyant sur "OK". Appuyer une nouvelle fois sur "OK" pour remettre le chauffe-eau en marche.
- Ce système d'hydromassage ajoute de l'air aux jets d'eau (s'il n'est pas en mode Tidepool) pour augmenter la force du courant d'eau. Pour réduire la force du courant d'eau d'hydromassage, tourner les bagues de garniture des jets dans le sens des aiguilles d'une montre jusqu'à obtenir la force souhaitée. Tourner les bagues de garniture dans le sens contraire pour augmenter la force du jet.
- Appuyer sur la touche Marche/Arrêt pour arrêter la baignoire à hydromassage.

REMARQUE: Un minuteur intégré arrête automatiquement la pompe et le moteur après environ 20 minutes de fonctionnement.

14. Fonctionnement avec chromathérapie

Sur les modèles H2 seulement

REMARQUE: La chromathérapie peut être utilisée avec tous les modes de fonctionnement. La chromathérapie peut aussi être utilisée lorsque la pompe n'est pas en marche.

- **Cycle de chromathérapie:** Quand ce mode est activé, les lampes de chromathérapie passent automatiquement et continuellement par le cycle de huit couleurs: blanc, violet, bleu indigo, aigue-marine, vert, jaune, orange et rouge. Un cycle des huit couleurs dure à peu près une minute. Tourner la bague extérieure pour sélectionner ce mode et appuyer sur "OK" pour l'activer. Appuyer sur "OK" quand le mode de chromathérapie est activé pour éteindre les lampes.
- **Sélection de couleur spécifique de chromathérapie:** Lorsque ce mode est activé, l'utilisateur peut sélectionner une couleur spécifique pour le bain. Tourner la bague extérieure pour sélectionner ce mode, appuyer sur "OK" pour l'activer et utiliser les flèches haut/bas pour atteindre la couleur souhaitée. Quand le mode de chromathérapie est activé, appuyer sur "OK" pour éteindre les lampes.

15. Fonctionnement de la télécommande

REMARQUE: Se référer au guide du propriétaire pour obtenir des instructions détaillées sur la télécommande.

- La télécommande met les fonctions de la baignoire à hydromassage à portée de main. L'accès et la modification des modes/fonctionnalités sont possibles à partir de la télécommande. La télécommande étanche est conçue pour être utilisée dans le bain et flotte sur l'eau. La télécommande utilise deux piles AAA.
- Le bouton de sélection de mode fonctionne de la même manière que la bague extérieure. Lorsque l'on appuie sur "M", un des modes clignote sur le clavier utilisateur. Si l'on appuie de nouveau sur "M", le mode suivant, dans le sens de l'aiguille d'une montre, clignote. Lorsque le mode souhaité clignote, appuyer sur "OK" pour l'activer.
- Lorsque le mode Flexjet, Cascade, Whitewater ou Rapids est activé, les flèches permettent d'augmenter ou réduire le débit d'eau.

Dépannage

AVIS: Cette section est seulement destinée à une aide générale. Un représentant du service agréé Kohler Co. ou un électricien qualifié doit rectifier tous les problèmes électriques. Pour obtenir un service sous garantie, appeler le 1-800-4KOHLER à partir des É.-U. et du Canada ou le 001-800-456-4537 à partir du Mexique.

Dépannage (cont.)

REMARQUE: Hors de l'Amérique du Nord, le GFCI peut être connu sous le nom de dispositif à courant résiduel (RCD).

Dépannage du système de la baignoire à hydromassage

Symptômes	Causes probables	Action recommandée
1. Le clavier ne s'illumine pas quand on appuie sur le bouton Marche/Arrêt ou quand la bague extérieure est tournée.	<p>A. Commande pas alimentée.</p> <p>B. GFCI déclenché.</p> <p>C. Le faisceau de câblage entre le clavier utilisateur et la commande est desserré, débranché ou endommagé.</p> <p>D. Le clavier utilisateur ne fonctionne pas.</p> <p>E. La commande ne fonctionne pas.</p>	<p>A. Vérifier le câblage et raccorder l'alimentation électrique.</p> <p>B. Réarmer le GFCI.</p> <p>C. Vérifier les raccordements du câblage. Le cas échéant, changer le faisceau de câblage.</p> <p>D. Changer le clavier utilisateur.</p> <p>E. Changer la commande.</p>
2. Le moteur démarre, mais certains jets ne fonctionnent pas.	<p>A. Jet fermé.</p> <p>B. Le jet n'est pas installé correctement.</p> <p>C. Jets obstrués.</p>	<p>A. Tourner la bague du jet dans le sens contraire des aiguilles d'une montre pour ouvrir.</p> <p>B. Réinstaller le jet; vérifier l'état du joint torique.</p> <p>C. Éliminer l'obstruction.</p>
3. Le clavier utilisateur est illuminé, mais il ne répond pas aux touches ou à la bague extérieure.	<p>A. Le programme de commande est bloqué.</p> <p>C. Le faisceau de câblage entre le clavier utilisateur et la commande est desserré, débranché ou endommagé.</p> <p>C. Le clavier utilisateur ne fonctionne pas.</p> <p>D. La commande ne fonctionne pas.</p>	<p>A. Réarmer le GFCI.</p> <p>C. Vérifier les raccordements du câblage. Le cas échéant, changer le faisceau de câblage.</p> <p>C. Changer le clavier utilisateur.</p> <p>D. Changer la commande.</p>
4. La barre indicatrice du clavier ne cesse de défiler au démarrage.	<p>A. Le programme de commande est bloqué.</p> <p>C. Le faisceau de câblage entre le clavier utilisateur et la commande est desserré, débranché ou endommagé.</p> <p>C. Le clavier utilisateur ne fonctionne pas.</p> <p>D. La commande ne fonctionne pas.</p>	<p>A. Réarmer le GFCI.</p> <p>C. Vérifier les raccordements du câblage. Remplacer le faisceau de câblage si nécessaire.</p> <p>C. Changer le clavier utilisateur.</p> <p>D. Changer la commande.</p>
5. Le clavier est illuminé, mais la pompe de démarre pas.	<p>A. Le cordon d'alimentation entre la pompe et la commande est desserré, débranché ou endommagé.</p> <p>B. La pompe ne fonctionne pas.</p> <p>C. La commande ne fonctionne pas.</p>	<p>A. Vérifier les raccordements du câblage.</p> <p>B. Changer la pompe.</p> <p>C. Changer la commande.</p>
6. Le moteur fonctionne mais la pompe ne s'amorce pas (cavitation).	<p>A. La pompe est placée trop haut.</p>	<p>A. Abaisser la pompe/commande au niveau du sous-plancher.</p>

Dépannage (cont.)		
Symptômes	Causes probables	Action recommandée
	<p>B. Petite fuite d'air à l'entrée de la pompe.</p> <p>C. Le moteur/la pompe ne fonctionne pas.</p> <p>D. La commande ne fonctionne pas.</p>	<p>B. Bien serrer le(s) écrou(s) sur le côté admission de la pompe.</p> <p>C. Changer le moteur/la pompe.</p> <p>D. Changer la commande.</p>
7. Débit d'eau des doubles orifices de remplissage faible ou insuffisant.	<p>A. Conduites d'arrivée d'eau obstruées.</p> <p>B. Robinet coupleur pas complètement ouvert.</p>	<p>A. Éliminer l'obstruction.</p> <p>B. Tourner la poignée du robinet coupleur.</p>
8. Débit d'eau de la cascade faible ou insuffisant.	<p>A. Aspiration ou faisceau obstrués.</p> <p>B. La pompe ne fonctionne pas.</p> <p>C. La commande ne fonctionne pas.</p>	<p>A. Éliminer l'obstruction.</p> <p>B. Changer la pompe.</p> <p>C. Changer la commande.</p>
9. Les jets Riverjet fonctionnent, mais les jets Whitewater/Rapids ne fonctionnent pas comme prévu.	<p>A. Pas assez d'eau dans la cuve de la baignoire à hydromassage.</p> <p>B. Le clavier utilisateur ne fonctionne pas.</p> <p>C. La vanne papillon ne fonctionne pas.</p> <p>D. La commande ne fonctionne pas.</p>	<p>A. Remplir la baignoire de telle manière que l'eau couvre les capteurs de niveau.</p> <p>B. Changer le clavier utilisateur.</p> <p>C. Contrôler le câblage. Changer la vanne papillon.</p> <p>D. Changer la commande.</p>
10. Les flèches de commande haut/bas ne modifient pas le débit d'eau comme décrit.	<p>A. Le clavier utilisateur ne fonctionne pas.</p> <p>B. La pompe ne fonctionne pas.</p> <p>C. La commande ne fonctionne pas.</p>	<p>A. Contrôler le câblage. Changer le clavier utilisateur.</p> <p>B. Contrôler le câblage. Changer la pompe.</p> <p>C. Contrôler le câblage. Changer la commande.</p>
11. L'écoulement d'air à travers les jets ne s'arrête pas lorsque le mode Tidepool est activé.	<p>A. Le clavier utilisateur ne fonctionne pas.</p> <p>B. La vanne papillon ne fonctionne pas.</p> <p>C. La commande ne fonctionne pas.</p>	<p>A. Changer le clavier utilisateur.</p> <p>B. Contrôler le câblage. Changer la vanne papillon.</p> <p>C. Contrôler le câblage. Changer la commande.</p>
12. L'air continue de s'écouler par un ou plusieurs jets plusieurs secondes après l'activation du mode Tidepool.	<p>A. Fonctionnement normal - l'écoulement d'air cesse au bout d'une courte durée.</p>	<p>A. Aucune action nécessaire.</p>
13. La pompe s'arrête avant 18 minutes.	<p>A. GFCI déclenché.</p> <p>B. L'aspiration est obstruée.</p> <p>C. Jets obstrués.</p> <p>D. Surchauffe du moteur et système de protection activé.</p>	<p>A. Identifier l'origine du problème, puis y remédier. Réarmer le GFCI.</p> <p>B. Éliminer l'obstruction.</p> <p>C. Éliminer l'obstruction.</p> <p>D. Voir s'il y a une obstruction au niveau de l'aspiration et/ou des jets. Éliminer l'obstruction et laisser le moteur refroidir.</p>

Dépannage (cont.)		
Symptômes	Causes probables	Action recommandée
14. La pompe ne s'arrête pas automatiquement au bout de 22 minutes.	A. Minuterie de 20 minutes désactivée par inadvertance.	A. Consulter le manuel d'entretien.
15. La pompe ne s'arrête pas quand on appuie sur la touche de marche du clavier.	A. Le clavier utilisateur ne fonctionne pas. B. La commande ne fonctionne pas.	A. Changer le clavier utilisateur. B. Changer la commande.
16. La pompe fonctionne, mais la fonction de vitesse variable ne fonctionne pas.	A. Le moteur/la pompe ne fonctionne pas. B. La commande ne fonctionne pas.	A. Changer le moteur/la pompe. B. Changer la commande.
17. L'eau de la baignoire se refroidit pendant la marche de la pompe.	A. La température de l'eau dépasse 104°F (40°C). B. Le chauffe-eau est arrêté sur le clavier utilisateur. C. Le câblage entre le chauffe-eau et la commande est desserré, débranché ou endommagé. D. Le chauffe-eau ne fonctionne pas. E. La commande ne fonctionne pas.	A. Laisser l'eau du bain refroidir. B. Mettre le chauffe-eau en marche. C. Vérifier les raccordements du câblage. D. Changer le chauffe-eau. E. Changer la commande.
18. Fonctionnement bruyant.	A. Les sangles de retenue de la pompe n'ont pas été coupées. B. Joint torique de jet sec ou délogé (crissement).	A. Couper les sangles avec des cisailles de ferblantier. B. Retirer le jet, changer et lubrifier le joint torique et réinstaller le jet.
19. La télécommande (si présente) ne fonctionne pas.	A. Les piles sont mal installées ou déchargées. B. L'antenne sur le faisceau de câblage est endommagée. C. La télécommande n'est pas programmée correctement. D. La télécommande ne fonctionne pas. E. La commande ne fonctionne pas.	A. Changer les piles. B. Changer le faisceau de câblage. C. Consulter le guide du propriétaire ou le manuel d'entretien. D. Changer la télécommande. E. Changer la commande.
Dépannage des lampes de chromothérapie - Modèles H2 seulement		
Symptômes	Causes probables	Action recommandée
20. Les lampes de chromothérapie ne fonctionnent pas.	A. Le câblage ou les branchement sont desserrés, débranchés ou endommagés. B. La commande ne fonctionne pas.	A. Vérifier les raccordements du câblage. Changer le câblage si nécessaire. B. Changer la commande.

Guía de instalación

Bañera de hidromasaje redonda

Información importante



ADVERTENCIA: Al usar aparatos eléctricos, siga siempre las precauciones básicas, incluyendo las siguientes:



PELIGRO: Riesgo de sacudida eléctrica. Conecte sólo a un circuito protegido por interruptores de circuito con pérdida a tierra (Interruptores GFCI)*.

El material de construcción y el cableado se deben colocar lejos del cuerpo de la bomba y de otros componentes que producen calor.

Instale de manera que se permita el acceso para dar servicio.

El compartimiento de cables incluye un conector de presión marcado "Earth/Ground" (Tierra). Para reducir el riesgo de sacudida eléctrica, conecte este conector al terminal de tierra de su tablero eléctrico o panel de suministro eléctrico con un cable de cobre del mismo tamaño que los conductores del circuito que alimentan este equipo.

En el exterior de la caja de empalmes o control de esta unidad se incluye un conector de presión para permitir la conexión de un conductor de puesta a tierra entre esta unidad y todo el metal expuesto en las proximidades, tal como se requiera para cumplir con las normas locales.

El compartimiento de cables tiene un terminal de conexión a tierra para el equipo. Para reducir el riesgo de sacudida eléctrica, este terminal se debe conectar a la conexión de tierra provista en el panel de suministro eléctrico con un conductor del mismo tamaño que los conductores del circuito que alimentan este equipo.

La conexión a tierra es un requisito. Un representante de servicio autorizado debe instalar esta unidad y conectarla a tierra.



ADVERTENCIA: Riesgo de lesiones personales o daños a la propiedad. Lea atentamente todas las instrucciones antes de comenzar la instalación, incluyendo los requisitos detallados a continuación.



ADVERTENCIA: Riesgo de sacudida eléctrica. Un electricista calificado debe realizar todas las conexiones eléctricas.



ADVERTENCIA: Riesgo de sacudida eléctrica. Desconecte el suministro eléctrico antes de dar servicio.

AVISO: Cumpla con todos los códigos locales de electricidad y de plomería. En Canadá, instale la unidad conforme al Código Eléctrico Canadiense, Parte 1.

*Fuera de los Estados Unidos, este dispositivo se conoce como un dispositivo de corriente residual (RCD, por sus siglas en inglés).

Información sobre el producto

Requisitos eléctricos

La instalación debe contar con dos interruptores de circuito con pérdida a tierra (GFCI) de Clase A. El GFCI protege contra el peligro de sacudida eléctrica de línea a tierra. **Utilice dos circuitos dedicados de 220-240 V, 20 A, 50/60 Hz; uno para cada sistema de bomba/control/calentador.**

Información sobre el producto (cont.)

Avisos sobre el producto



ADVERTENCIA: Las modificaciones no autorizadas pueden causar un funcionamiento peligroso y bajo rendimiento de la bañera de hidromasaje. No cambie la ubicación de las bombas de la bañera de hidromasaje, ni haga otras modificaciones en el sistema de hidromasaje, ya que esto podría tener un efecto adverso en el rendimiento y en el funcionamiento seguro de la bañera de hidromasaje. Kohler Co. no será responsable bajo su garantía o de ninguna otra forma, de lesiones personales o daños provocados por modificaciones no autorizadas.

Características

Los componentes incluyen dos bombas, dos controles, un calentador, la cascada, los jets Flexjets y Riverjets, las luces de cromoterapia (sólo el modelo H2), la válvula de llenado integral (sólo K-1397), y un teclado iluminado con control remoto.

Acceso de servicio y a las conexiones

Antes de instalar, asegúrese de que el acceso a las conexiones finales sea adecuado.

AVISO: Provea amplio acceso de servicio sin restricciones a la bomba. Usted debe proveer un panel de acceso de 48" (1220 mm) de ancho x 15" (381 mm) de alto mínimo para dar servicio a las bombas y los controles. El acceso se debe ubicar inmediatamente junto de las bombas.

Contenido

Información importante	1
Información sobre el producto	1
Requisitos eléctricos	1
Avisos sobre el producto	2
Características	2
Acceso de servicio y a las conexiones	2
Antes de comenzar	2
Herramientas y materiales	3
Prepare el sitio	4
Prepare la bañera de hidromasaje	4
Fije la bañera de hidromasaje al subpiso	5
Corte las cintas flejadoras que sujetan la bomba	6
Instale la plomería	6
Realice las conexiones eléctricas	7
Instale el kit de garnición de la bañera de hidromasaje	9
Pruebe el funcionamiento de la bañera de hidromasaje	9
Termine la pared/cubierta acabada	11
Limpieza después de la instalación	11
Instale las almohadas desmontables	12
Verifique el funcionamiento correcto	13
Secuencia de funcionamiento	14
Funcionamiento de la cromoterapia	15
Funcionamiento del control remoto	15
Guía para resolver problemas	15

Antes de comenzar

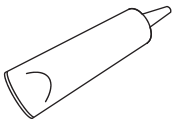
AVISO: No levante la bañera de hidromasaje por los tubos o la bomba, ni use los tubos o la bomba como soporte estructural de la bañera de hidromasaje.

- Recomendamos esta bañera de hidromasaje para una instalación de sobreponer o al ras.

Antes de comenzar (cont.)

- Revise que la bañera de hidromasaje no presente daño antes de comenzar la instalación.
- Es necesario instalar esta bañera de hidromasaje en un subpiso nivelado y con suficiente soporte.
- El modelo K-1397 tiene un sistema de llenado integral que emplea puertos duales de llenado en ambos lados de la cascada y válvulas pre-instaladas.
- Los modelos K-1394 y K-1399 le permiten emplear la válvula de llenado de su elección - puede utilizar los puertos duales de llenado pre-instalados o un surtidor de llenado separado si lo desea. Verifique que haya suficiente soporte para la grifería de montaje en borde, si se usa; las griferías grandes que puedan ser utilizadas inadvertidamente como medio de soporte no son apropiadas ni seguras para esta instalación.
- Consulte los códigos locales y nacionales.

Herramientas y materiales



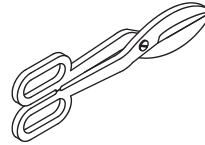
Sellador de silicona



Cinta para medir



Lápiz



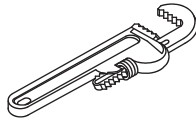
Tijeras para chapa



Nivel



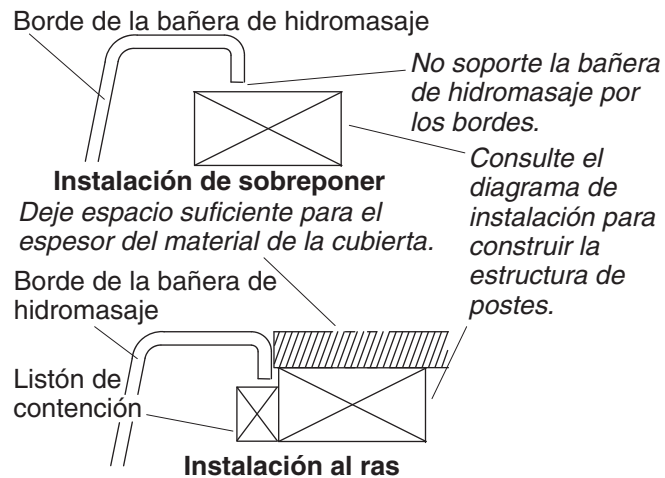
Lentes de seguridad



Llave para tubo

Más:

- Herramientas y materiales convencionales para trabajar la madera
- Lona para el piso
- Cemento, mortero o adhesivo de construcción
- Listones de 2 x 4



1. Prepare el sitio

AVISO: No apoye la bañera de hidromasaje sobre el borde.

AVISO: Provea el soporte de piso adecuado.

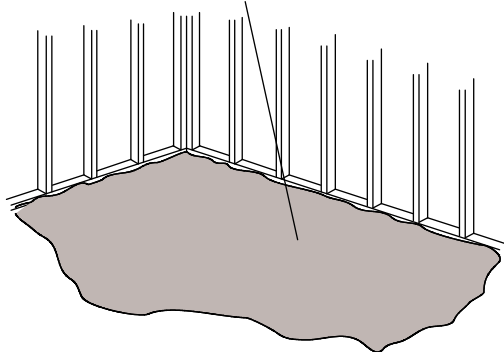
AVISO: Mida su producto real para la preparación del lugar. Fíjese en el **número de modelo** ubicado en la bomba de la bañera de hidromasaje, luego visite la página del producto en www.kohler.com para información adicional.

- Asegúrese de que el piso ofrezca suficiente soporte para su bañera de hidromasaje y verifique que el subpiso esté plano y a nivel.
- La bañera de hidromasaje se debe instalar en una instalación de sobreponer o al ras. Construya una estructura de postes de 2x4 o de soportes de concreto o ladrillo para su instalación en particular. Construya una estructura de madera o soporte al piso para una instalación elevada.
- Utilice la plantilla provista con la bañera de hidromasaje para trazar con cuidado y cortar el material de la cubierta no acabada. Para instalaciones de montaje al ras, tome en cuenta el espesor del material de la cubierta que planea utilizar.
- Coloque las tuberías de plomería. Tape los suministros, y verifique que no haya fugas.

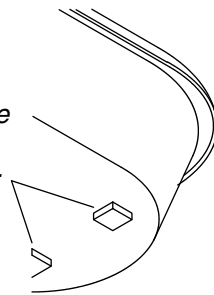
2. Prepare la bañera de hidromasaje

- Instale el desagüe en la bañera de hidromasaje según las instrucciones del fabricante del desagüe. Aún no conecte la trampa.
- Coloque una lona gruesa y limpia o un material similar en el fondo de la bañera de hidromasaje. Tenga cuidado de no rayar la superficie de la bañera de hidromasaje.

Extienda una capa de 2" (51 mm) de cemento mortero.



Aplique adhesivo de construcción en los bloques de soporte.



3. Fije la bañera de hidromasaje al subpiso

AVISO: No levante la bañera de hidromasaje por los tubos o las bombas, ni use los tubos o las bombas como soporte estructural de la bañera de hidromasaje.

- Elija la opción de instalación más apropiado para su instalación en particular. Siga las instrucciones correspondientes.
- Si el subpiso no está a nivel, acuñe los bloques de soporte de la bañera de hidromasaje según sea necesario.

Opción que utiliza una capa de cemento o mortero

NOTA: No utilice cemento de yeso o pasta para paneles de yeso con esta aplicación, puesto que no proporcionará una adherencia aceptable ni duradera.

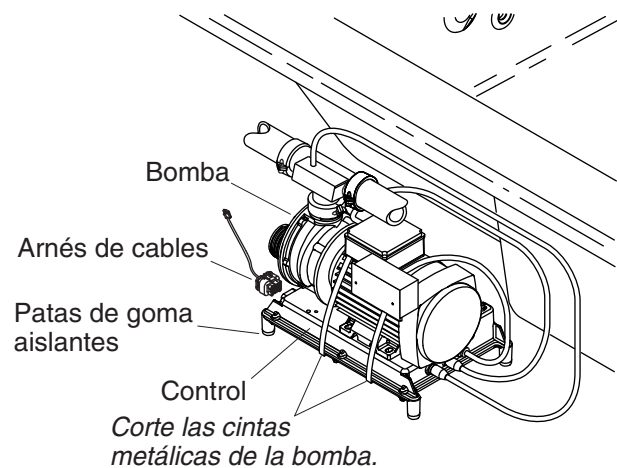
- Aplique una capa gruesa de 2" (51 mm) de cemento o mortero en el subpiso donde se colocará la bañera de hidromasaje. Esto ayudará a fijar, nivelar y dar soporte a la unidad. Limpie todo el material de las ubicaciones para los controles de las bombas.

NOTA: Los controles de las bombas (cuando las cintas flejadoras de las bombas están cortadas) deben descansar directamente sobre el subpiso.

- Obtenga ayuda para colocar con cuidado la bañera de hidromasaje en su lugar y asegúrese de que los controles de las bombas no descansen sobre el material de lechada.
- Inserte el tubo final del desagüe en la trampa. Verifique que la bañera de hidromasaje esté a nivel y apoyada sobre todos los bloques de soporte.

Opción que utiliza adhesivo de construcción

- Aplique una cantidad abundante de adhesivo de construcción de alta calidad en la parte inferior de los bloques de soporte. Con ayuda, coloque con cuidado la bañera de hidromasaje en su lugar.
- Inserte el tubo final del desagüe en la trampa. Verifique que la bañera de hidromasaje esté a nivel y apoyada sobre todos los bloques de soporte.



4. Corte las cintas flejadoras que sujetan la bomba

¡IMPORTANTE! Este paso es necesario para que su bañera de hidromasaje KOHLER funcione más silenciosamente.

- Utilice unas tijeras para chapa y corte las dos cintas flejadoras de cada bomba de la bañera de hidromasaje.

NOTA: No suba las bombas más arriba de lo que estaban antes de cortar las cintas flejadoras. Si las bombas están demasiado altas, no cebarán correctamente. Asegúrese de que los pies aislantes de goma estén en su lugar.

- Para reducir al mínimo el ruido y la vibración de la bañera de hidromasaje, asegúrese de que las bombas no estén en contacto directo con la bañera de hidromasaje después de cortar las cintas flejadoras. Los controles de la bomba tienen pies aislantes de goma para reducir el ruido de la bomba.

5. Instale la plomería

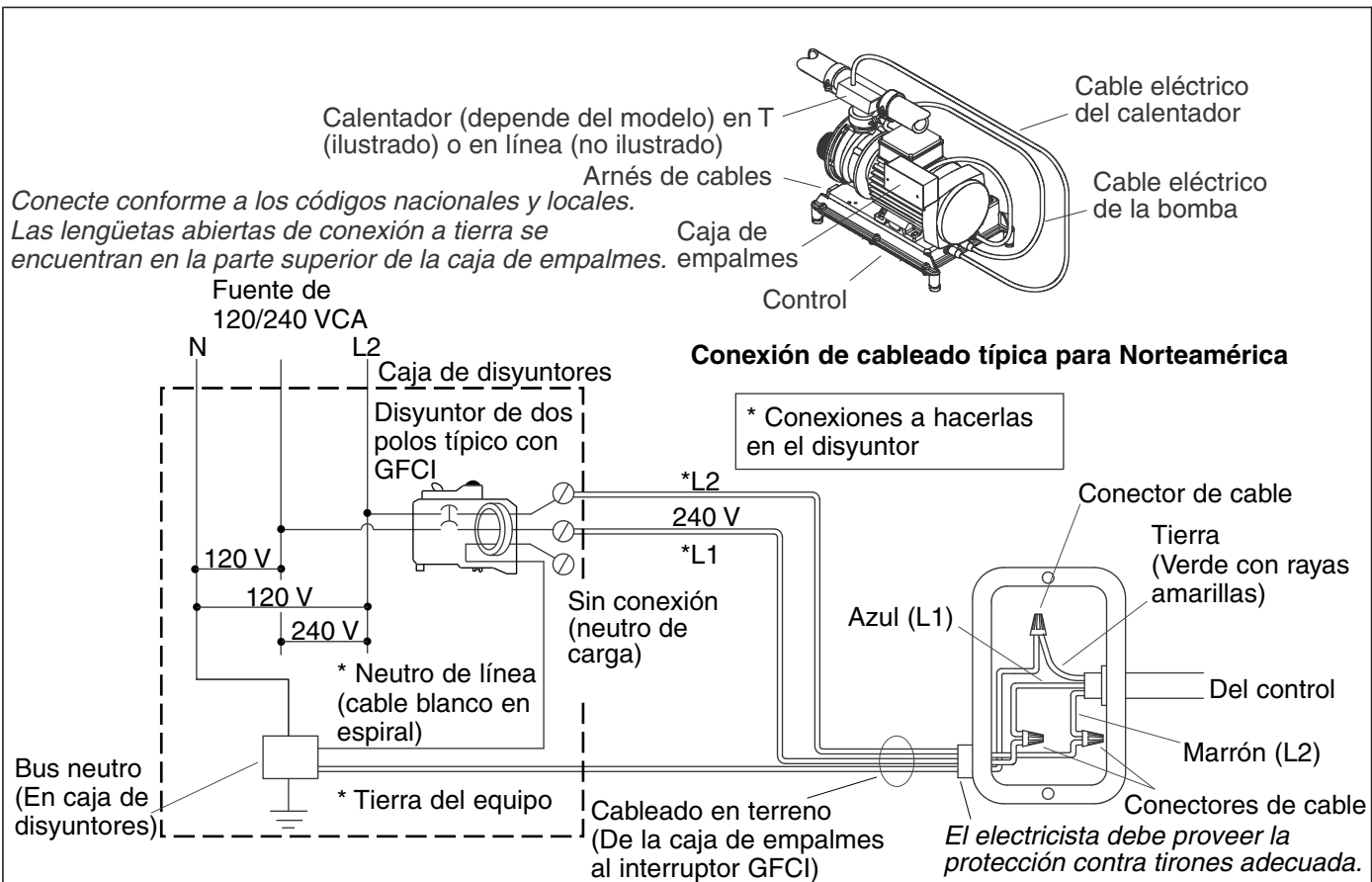


PRECAUCIÓN: Riesgo de daños a la propiedad. Asegúrese de que haya un sellado impermeable en el desagüe de la bañera de hidromasaje.

- Conecte el desagüe a la trampa según las instrucciones del fabricante del desagüe.

AVISO: Un panel de acceso facilitará el mantenimiento futuro.

- **Sólo K-1397:** Conecte los suministros de agua fría y caliente a las válvulas de llenado integral, conforme a los códigos locales. Existe un orificio adicional pretaladrado en la bañera para la ducha de mano. Instale la ducha de mano en este momento. Conecte el extremo de la manguera de la ducha de mano al puerto abierto de la válvula de transferencia (debajo del borde de la bañera). Asegúrese de que la espiga de la válvula de transferencia se haya girado completamente a la derecha. La válvula de transferencia incluye una válvula integral rompevacío que protege al surtidor de llenado y a la ducha de mano de la ocurrencia de contraflujo.
- **Sólo K-1394 y K-1399:** Instale las válvulas según las instrucciones del fabricante de la grifería. Conecte las válvulas a los puertos de llenado (surtidores) de la bañera de hidromasaje conforme a los códigos locales.
- **Todos los modelos:** No instale la guarnición de la grifería hasta que se le indique. Abra los suministros de agua caliente y fría y verifique que no haya fugas en las conexiones de suministro.
- Haga que el agua circule en la bañera de hidromasaje y verifique que no haya fugas en las conexiones del desagüe.
- Gire la espiga de la válvula de transferencia y verifique que no haya fugas en las conexiones de la ducha de mano.



6. Realice las conexiones eléctricas

NOTA: El número de modelo está impreso en una etiqueta ubicada del lado de la bomba de la bañera rebosante. Esta etiqueta también identifica la capacidad nominal eléctrica de la bañera de hidromasaje. Estas bañeras de hidromasaje están equipadas con dos cajas de empalmes y están diseñadas para funcionar entre 208 VCA y 240 VCA a 50 Hz o 60 Hz.



ADVERTENCIA: Riesgo de descarga eléctrica. Asegúrese de desconectar la corriente eléctrica antes de realizar el siguiente procedimiento. Consulte la sección "Información importante".



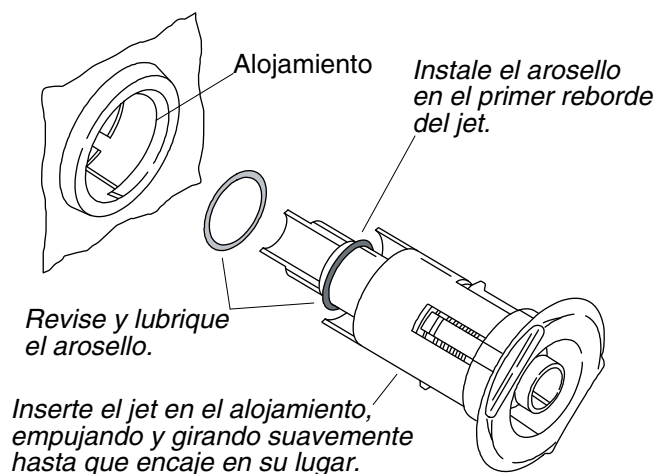
ADVERTENCIA: Riesgo de descarga eléctrica. Para reducir el riesgo de sacudida eléctrica, conecte la bomba a un interruptor de circuito con pérdida a tierra (GFCI) bien conectado a tierra. El calentador también se tiene que conectar a un interruptor de circuito con pérdida a tierra (GFCI) correctamente conectado a tierra. Esto servirá de protección adicional contra el peligro de sacudida eléctrica de línea a tierra. Se requieren dos circuitos dedicados de 208-240 V, 20 A, 50/60 Hz.

¡IMPORTANTE! El **neutro de carga** no se usa. No debe haber conexión al terminal de **neutro de carga** en el interruptor de circuito con pérdida a tierra (GFCI). El cable verde con rayas amarillas es la **tierra del equipo** y se tiene que conectar al bus neutro en la caja de disyuntores principal.

- El control y el calentador se han precableado en la fábrica. Un electricista calificado debe realizar las conexiones eléctricas a cada una de las cajas de empalmes.
- Conecte el cable de servicio eléctrico a las cajas de empalmes. Ambas cajas de empalmes tienen cables de color azul, marrón y verde con una raya amarilla.
- Cumpla con todos los códigos eléctricos locales. Cumpla con los códigos nacionales y locales.
- El cableado del arnés de cables se ha realizado en la fábrica, permitiendo la comunicación entre el teclado, todas las funciones y el control. No es necesario realizar ningún cableado adicional, pero asegúrese de que todos los cables se hayan afianzado bien.

Realice las conexiones eléctricas (cont.)

NOTA: El arnés de cables incluye una antena para el control remoto opcional. No modifique ni dañe esta antena durante la instalación.



7. Instale el kit de guarnición de la bañera de hidromasaje

- Instale el kit de guarnición de la bañera de hidromasaje (si no viene instalado de fábrica) según las instrucciones incluidas con el kit de guarnición. Ponga atención especial a los pasos de instalación de los jets que se presentan a continuación - son muy importantes y se incluyen aquí para obtener un funcionamiento de jet suave y libre de problemas.

NOTA: El arosello del jet debe estar bien colocado, lubricado y en buenas condiciones para que el jet pueda girar fácilmente y funcione bien.

- Instale el arosello en el **primer reborde** del jet. Lubrique el arosello con lubricante de silicona para evitar un funcionamiento ruidoso del jet.
- Inserte con cuidado el jet en el alojamiento, y empuje levemente y gire el jet hasta que encaje en su lugar. **No fuerce el jet.**

NOTA: Cuando se instala correctamente, el jet debe girar suavemente en ambas direcciones hacia la derecha e izquierda.

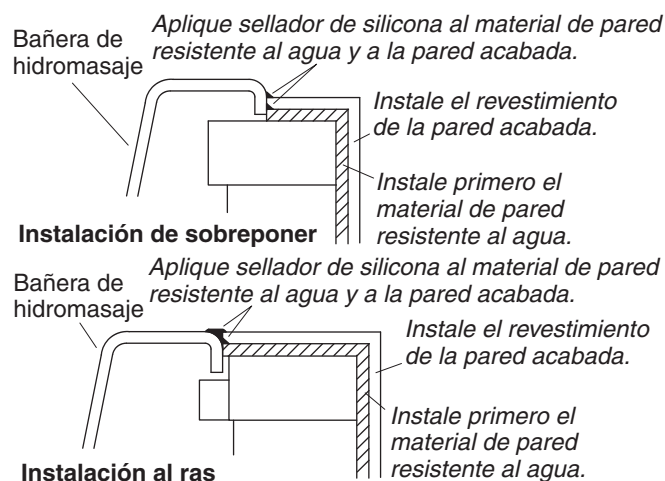
8. Pruebe el funcionamiento de la bañera de hidromasaje

- Verifique todas las conexiones eléctricas, luego asegúrese de que todas las conexiones de unión de las bombas y el calentador estén bien apretadas a mano.
- Verifique que ambos juegos de cintas flejadoras se hayan cortado y que los controles de las bombas descansen directamente en el subpiso. Asegúrese de que los pies aislantes de goma estén en su lugar.
- Encienda la alimentación eléctrica a la bañera de hidromasaje.
- Llene la bañera de hidromasaje por encima de los sensores del nivel de agua ubicados a cada lado de la bañera.
- Deje funcionar la bañera de hidromasaje durante 5 minutos (consulte la sección "Secuencia de funcionamiento").
- Verifique que no haya fugas en las conexiones de las tuberías en el lado posterior de la bañera de hidromasaje.
- Encienda cada una de las funciones de la bañera de hidromasaje para verificar que funcione correctamente. Verifique que no haya fugas en el lado posterior de la bañera de hidromasaje.
- Si equipada, encienda el ciclo de cromoterapia y permita que las luces cambien de color a través del ciclo de ocho colores; blanco, violeta, azul índigo, azul agua, verde, amarillo, naranja y rojo. Un ciclo con los ocho colores tarda aproximadamente 1 minuto.

Pruebe el funcionamiento de la bañera de hidromasaje (cont.)

- Verifique las funciones utilizando el control remoto. Consulte la sección "Funcionamiento del control remoto".

NOTA: Para obtener información adicional acerca del funcionamiento de la bañera de hidromasaje, consulte la sección "Confirme el funcionamiento correcto" de esta guía.



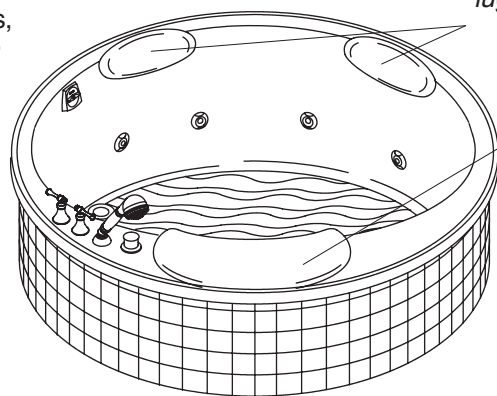
9. Termine la pared/cubierta acabada

- Si aún no lo ha hecho, retire con cuidado la cinta protectora del borde de la bañera de hidromasaje.
- Cubra la estructura con un material de pared resistente al agua. Selle las juntas entre el filo del borde de la bañera y el material resistente al agua de la pared con sellador de silicona.
- Adhiera el material de pared resistente al agua con cinta y yeso. Instale la pared acabada al material de la pared resistente al agua, de manera que esté a 1/16" (2 mm) arriba de la superficie esmaltada. Selle las uniones entre el borde de la bañera de hidromasaje y el material de la pared acabada con sellador de silicona.
- Instale la guarnición de la grifería según las instrucciones de incluidas con la guarnición.

10. Limpieza después de la instalación

- Al limpiar después de la instalación, **no utilice productos de limpieza abrasivos** pues pueden rayar y opacar la superficie de la bañera de hidromasaje. De ser necesario, utilice agua tibia y un detergente líquido para limpiar la superficie de la bañera de hidromasaje, el teclado y el control remoto.
- Las manchas difíciles de quitar, la pintura y el alquitrán se pueden limpiar con aguarrás y diluyente de pintura. **No permita que los productos de limpieza que contengan destilados de petróleo permanezcan en contacto con las superficies de la bañera de hidromasaje por periodos prolongados.** Retire con cuidado el yeso raspando con un canto de madera. No utilice raspadores de metal, cepillos de alambre ni otras herramientas metálicas. Se puede utilizar un detergente en polvo con un trapo húmedo para proporcionar una acción abrasiva suave en los residuos de yeso.

Se ilustran tres almohadas, aunque se incluyen cuatro



Coloque las almohadas pequeñas en el lugar deseado, encima de la línea de agua.

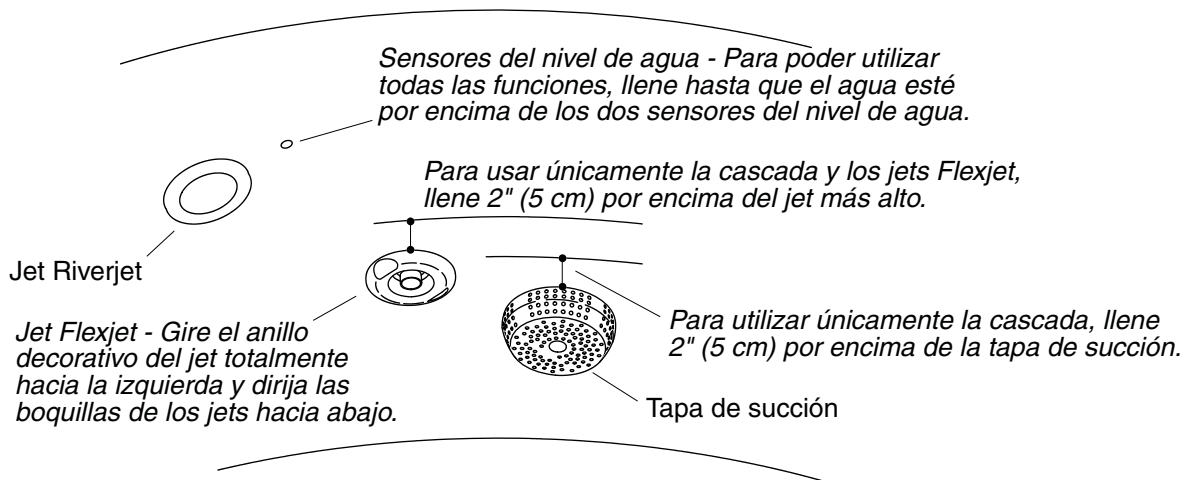
Coloque la almohada grande en el reborde de la bañera de hidromasaje y presione con fuerza con la mano.

11. Instale las almohadas desmontables

AVISO: No sumerja las almohadas en agua, ni las utilice como cojines de asiento.

NOTA: Para mejor adherencia a la superficie de la bañera de hidromasaje, humedezca la superficie posterior de las ubicaciones con ventosas de las almohadas.

- Limpie los aceites y la película de jabón que pueda haber en la superficie de la bañera de hidromasaje. La parte posterior de las almohadas tiene ventosas. Coloque la almohada grande en su lugar dentro de la bañera y presione con firmeza sobre las ventosas. Coloque las almohadas pequeñas según desee arriba de la línea de agua, presionando firmemente con la palma de la mano. Verifique que las almohadas se fijen con firmeza a la bañera de hidromasaje.
- Para retirar las almohadas, levántelas de la superficie de la bañera de hidromasaje.



12. Verifique el funcionamiento correcto

Llene la bañera de hidromasaje

NOTA: Por favor, lea atentamente estos pasos antes de activar la bañera de hidromasaje.

- Gire los anillos decorativos de los jets totalmente hacia la izquierda. Coloque las boquillas de los jets de manera que miren hacia abajo en la bañera.

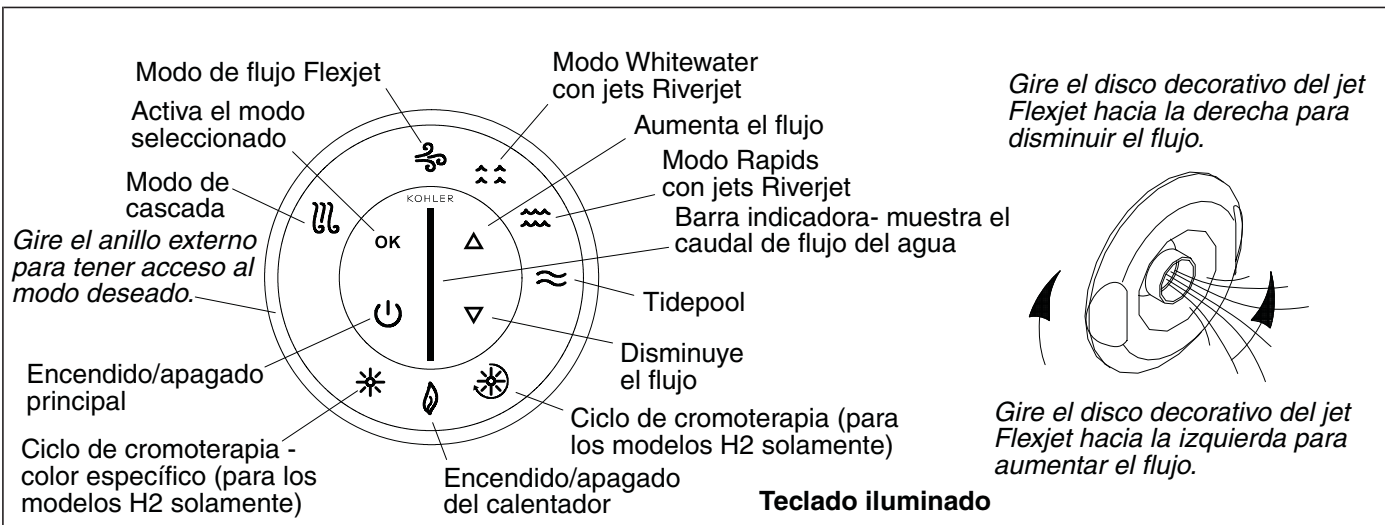
NOTA: Para usar sólo la cascada (sin los jets Flexjet o Riverjet), sólo necesita llenar la bañera unas 2" (50 mm) arriba de la parte superior de las tapas de succión.

NOTA: Para usar la cascada o los jets Flexjet (sin los Riverjet), necesita llenar la bañera unas 2" (50 mm) arriba de la parte superior del Flexjet más alto.

- **Para activar todas las funciones:** Llene la bañera de hidromasaje arriba de los sensores del nivel de agua a cada lado de los jets Riverjet.

NOTA: Los jets Riverjet sólo funcionarán si ambos sensores del nivel de agua están completamente cubiertos de agua. Si el nivel del agua cae por debajo de los sensores, los jets Riverjet se apagarán automáticamente y los Flexjet se encenderán. Los jets Riverjet y Flexjet no funcionarán al mismo tiempo.

NOTA: La temperatura del agua en la bañera de hidromasaje no debe exceder de 104°F (40°C). El calentador se apagará automáticamente cuando la temperatura del agua alcance los 104°F (40°C) y permanecerá apagado hasta que el agua se enfríe.



13. Secuencia de funcionamiento

NOTA: El calentador integrado ayuda automáticamente a mantener la temperatura del agua mientras la bañera de hidromasaje esté funcionando, siempre y cuando la temperatura no sobrepase los 104°F (40°C). El calentador se apagará a temperaturas superiores.

¡IMPORTANTE! Consulte la Guía del Usuario para obtener las instrucciones detalladas del teclado y control remoto.

NOTA: La bañera emplea dos bombas. Una bomba alimenta la cascada y la otra impulsa el agua a través de los jets Flexjet y Riverjet.

- **Para encender la bañera de hidromasaje:** Presione el botón de encendido/apagado o gire el anillo externo para entrar al modo deseado, como se describe más abajo.
- **Para entrar al modo deseado:** Gire el anillo externo hasta que el botón parpadee en azul. Oprima "OK" para activar el modo. El modo activado se parpadeará en verde. Para desactivar un modo, gire el anillo externo hasta que el botón parpadee en azul y oprima "OK" otra vez. Verifique cada una de las características enumeradas más abajo.
- **Cascada:** Cuando la cascada está activada, el agua comienza a fluir a un volumen medio en pocos segundos. El modo de cascada no activa el calentador. En el teclado oprima las flechas hacia arriba o hacia abajo para aumentar o disminuir el caudal del flujo de agua. La barra indicadora en el centro del teclado muestra el caudal del flujo de agua. La cascada se puede utilizar sola o con uno de los siguientes modos; Flexjets, Whitewater o Rapids.
- **Jets Flexjet:** Cuando se activan los jets Flexjet, que se encuentran por debajo de los jets Riverjet, el agua empezará a fluir inmediatamente a una capacidad media. En el teclado oprima las flechas hacia arriba o hacia abajo para aumentar o disminuir el caudal del flujo de agua. La barra indicadora en el centro del teclado muestra el caudal del flujo de agua.
- **Whitewater:** El modo Whitewater activa los dos jets Riverjet ubicados en la zona de la nuca haciendo que el agua fluya con un caudal medio. En el teclado oprima las flechas hacia arriba o hacia abajo para aumentar o disminuir el caudal del flujo de agua. La barra indicadora en el centro del teclado muestra el caudal del flujo de agua.
- **Rapids:** El modo Rapids activa los cuatro jets Riverjet ubicados en la zona de la nuca haciendo que el agua fluya a una capacidad media. En el teclado oprima las flechas hacia arriba o hacia abajo para aumentar o disminuir el caudal del flujo de agua. La barra indicadora en el centro del teclado muestra el caudal del flujo de agua.
- **Tidepool:** Este modo apaga el flujo de aire a los jets para proporcionar un efecto calmante y relajante. El modo Tidepool se puede utilizar en cualquier momento mientras los jets estén en funcionamiento. El modo Tidepool no afecta el funcionamiento de la cascada.

Secuencia de funcionamiento (cont.)

NOTA: Una vez que el modo Tidepool se ha activado, es posible que algo de aire fluya por uno o más jets durante un corto periodo de tiempo.

- **Calentador:** El calentador integrado ayuda automáticamente a mantener la temperatura del agua cuando cualquiera de los jets estén funcionando, siempre y cuando la temperatura del agua no sobrepase los 104°F (40°C). El calentador se puede apagar en cualquier momento mientras las bombas estén en marcha, para ello gire el anillo externo hasta que el botón del calentador se ilumine intermitentemente y oprima "OK". Oprima "OK" otra vez para volver a encender el calentador.
- El sistema de jets de hidromasaje añade aire al flujo de agua (excepto en el modo Tidepool) para aumentar la fuerza del flujo de agua. Para disminuir la fuerza del flujo de agua del hidromasaje, gire los anillos de los jets del hidromasaje hacia la derecha, hasta obtener la intensidad deseada. Gire los anillos de guarnición hacia la izquierda para aumentar la fuerza del flujo de agua.
- Vuelva a oprimir el botón de encendido/apagado para apagar la bañera de hidromasaje.

NOTA: El temporizador integrado apaga automáticamente el motor y la bomba después de aproximadamente 20 minutos de funcionamiento.

14. Funcionamiento de la cromoterapia

Equipada en los modelos H2 solamente

NOTA: La cromoterapia se puede utilizar con todos los modos de funcionamiento. La cromoterapia también se puede utilizar cuando las bombas no estén funcionando.

- **Ciclo de cromoterapia:** Cuando este modo está activado, las luces de cromoterapia cambian de color automática y continuamente en ocho colores; blanco, violeta, azul índigo, azul agua, verde, amarillo, naranja y rojo. Un ciclo de ocho colores tarda aproximadamente un minuto. Gire el anillo externo para seleccionar este modo y oprima "OK" para activarlo. Para apagar las luces, oprima "OK" mientras el modo de cromoterapia está activo.
- **Selección de un color específico de cromoterapia:** Cuando este modo está activo, se puede elegir un color específico para la bañera. Gire el anillo externo para seleccionar este modo, oprima "OK" para activarlo y utilice las flechas hacia arriba o hacia abajo hasta obtener el color deseado. Para apagar las luces, oprima "OK" mientras el modo de cromoterapia está activo.

15. Funcionamiento del control remoto

NOTA: Consulte la Guía del Usuario para obtener las instrucciones detalladas del control remoto.

- El control remoto pone al alcance de su mano las funciones de la bañera de hidromasaje. Usted puede tener acceso y modificar todos los modos/características del control remoto. El control remoto impermeable está diseñado para usarse en la bañera y flota en el agua. El control remoto utiliza dos pilas AAA.
- El botón de selección de modo funciona de la misma manera que el anillo externo. Cuando se oprime la "M", uno de los modos parpadeará en el teclado. Si oprime la "M" otra vez, el modo siguiente hacia la derecha parpadeará. Una vez que el modo deseado esté parpadearando, oprima "OK" para activarlo.
- Cuando el modo Flexjet, cascada, Whitewater o Rapids está activo, las flechas aumentarán o disminuirán el caudal del flujo de agua.

Guía para resolver problemas

AVISO: Esta sección es sólo para ayuda general. Todos los problemas eléctricos deben ser resueltos por un representante de servicio autorizado de Kohler Co. o un electricista calificado. Para obtener el servicio de garantía, llame 1-800-4KOHLER desde los EE.UU. y Canadá, o al 001-800-456-4537 desde México.

Guía para resolver problemas (cont.)

NOTA: Fuera de los Estados Unidos, un GFCI también se conoce como un dispositivo de corriente residual (RCD, por sus siglas en inglés).

Guía para resolver problemas del sistema de la bañera de hidromasaje

Síntomas	Causas probables	Acción recomendada
1. El teclado no se ilumina cuando se oprime el botón de encendido o se gira el anillo externo.	<p>A. El control no tiene alimentación eléctrica.</p> <p>B. El interruptor GFCI se disparó.</p> <p>C. El arnés de cables del teclado al control está suelto, desconectado o dañado.</p> <p>D. El teclado no funciona.</p> <p>E. El control no funciona.</p>	<p>A. Verifique el cableado y conecte el suministro eléctrico.</p> <p>B. Restablezca (reset) el GFCI.</p> <p>C. Revise que los cables estén correctamente conectados. Reemplace el arnés de cables de ser necesario.</p> <p>D. Reemplace el teclado.</p> <p>E. Reemplace el control.</p>
2. El motor se enciende, pero no todos los jets funcionan.	<p>A. El jet está cerrado.</p> <p>B. El jet no está instalado correctamente.</p> <p>C. Los jets están obstruidos.</p>	<p>A. Gire la guarnición del jet hacia la izquierda para abrirlo.</p> <p>B. Vuelva a instalar el jet; revise que el arosello (O-ring) no esté dañado.</p> <p>C. Elimine la obstrucción.</p>
3. El teclado está iluminado, pero no responde a los botones o anillo externo.	<p>A. El programa del control está bloqueado.</p> <p>B. El arnés de cables del teclado al control está suelto, desconectado o dañado.</p> <p>C. El teclado no funciona.</p> <p>D. El control no funciona.</p>	<p>A. Restablezca (reset) el GFCI.</p> <p>B. Revise que los cables estén correctamente conectados. Reemplace el arnés de cables de ser necesario.</p> <p>C. Reemplace el teclado.</p> <p>D. Reemplace el control.</p>
4. Al encender la unidad, la barra indicadora del teclado continúa en modo de búsqueda.	<p>A. El programa del control está bloqueado.</p> <p>B. El arnés de cables del teclado al control está suelto, desconectado o dañado.</p> <p>C. El teclado no funciona.</p> <p>D. El control no funciona.</p>	<p>A. Restablezca (reset) el GFCI.</p> <p>B. Revise que los cables estén correctamente conectados. Reemplace el arnés de cables de ser necesario.</p> <p>C. Reemplace el teclado.</p> <p>D. Reemplace el control.</p>
5. El teclado está iluminado pero la bomba no se enciende.	<p>A. El cable eléctrico de la bomba al control está suelto, desconectado o dañado.</p> <p>B. La bomba no funciona.</p> <p>C. El control no funciona.</p>	<p>A. Revise que los cables estén correctamente conectados.</p> <p>B. Reemplace la bomba.</p> <p>C. Reemplace el control.</p>
6. El motor funciona pero la bomba no hace el cebado (se produce cavitación).	<p>A. La bomba se ha acuñado demasiado.</p> <p>B. Pequeña fuga de aire en la entrada de la bomba.</p> <p>C. El motor/bomba no funciona.</p> <p>D. El control no funciona.</p>	<p>A. Baje la bomba/control al nivel del subpiso.</p> <p>B. Apriete firmemente la(s) tuerca(s) del lado de admisión de la bomba.</p> <p>C. Reemplace el motor/bomba.</p> <p>D. Reemplace el control.</p>
7. Flujo escaso desde los puertos duales de llenado.	<p>A. Las líneas de suministro de agua están obstruidas.</p>	<p>A. Elimine la obstrucción.</p>

Guía para resolver problemas (cont.)

Síntomas	Causas probables	Acción recomendada
	B. La válvula de transferencia no está totalmente abierta.	B. Gire la manija de la válvula de transferencia.
8. Flujo escaso desde la cascada.	A. La succión o las tuberías están obstruidas. B. La bomba no funciona. C. El control no funciona.	A. Elimine la obstrucción. B. Reemplace la bomba. C. Reemplace el control.
9. Los jets Riverjet funcionan, pero los jets Whitewater/Rapids no funcionan como se describe.	A. Insuficiente agua en la bañera de hidromasaje. B. El teclado no funciona. C. La válvula de mariposa no funciona. D. El control no funciona.	A. Llene la bañera de hidromasaje hasta que el agua cubra los sensores de agua. B. Reemplace el teclado. C. Revise el cableado. Reemplace la válvula de mariposa. D. Reemplace el control.
10. Las flechas hacia arriba/abajo del control del caudal no cambian el flujo de agua como se describe.	A. El teclado no funciona. B. La bomba no funciona. C. El control no funciona.	A. Revise el cableado. Reemplace el teclado. B. Revise el cableado. Reemplace la bomba. C. Revise el cableado. Reemplace el control.
11. El flujo de aire a través de los jets no se detiene cuando se activa el modo Tidepool.	A. El teclado no funciona. B. La válvula de mariposa no funciona. C. El control no funciona.	A. Reemplace el teclado. B. Revise el cableado. Reemplace la válvula de mariposa. C. Revise el cableado. Reemplace el control.
12. El aire sigue fluyendo de uno o más jets durante varios segundos después de activar el modo Tidepool.	A. Operación normal - el aire dejará de fluir en poco tiempo.	A. No se requiere acción alguna.
13. La bomba se detiene antes de funcionar durante 18 minutos.	A. El interruptor GFCI se disparó. B. La succión está obstruida. C. Los jets están obstruidos. D. El motor se ha sobrecalentado, activando el dispositivo de protección.	A. Identifique la causa de la falla y corrija. Restablezca (reset) el GFCI. B. Elimine la obstrucción. C. Elimine la obstrucción. D. Verifique que no haya obstrucciones en la succión y/o jets. Elimine la obstrucción y deje enfriar el motor.
14. La bomba no se apaga automáticamente después de 22 minutos.	A. El temporizador de 20 minutos se ha desactivado inadvertidamente.	A. Consulte el manual de servicio.
15. La bomba no se apaga cuando se oprime el botón de encendido/apagado en el teclado.	A. El teclado no funciona. B. El control no funciona.	A. Reemplace el teclado. B. Reemplace el control.

Guía para resolver problemas (cont.)

Síntomas	Causas probables	Acción recomendada
16. La bomba funciona pero la opción de velocidad variable no funciona.	<p>A. El motor/bomba no funciona.</p> <p>B. El control no funciona.</p>	<p>A. Reemplace el motor/bomba.</p> <p>B. Reemplace el control.</p>
17. El agua de la bañera se enfría mientras la bomba está funcionando.	<p>A. La temperatura del agua excede los 104°F (40°C).</p> <p>B. El calentador está apagado en el teclado.</p> <p>C. El cable del calentador al control está suelto, desconectado o dañado.</p> <p>D. El calentador no funciona.</p> <p>E. El control no funciona.</p>	<p>A. Deje enfriar el agua de la bañera.</p> <p>B. Encienda el calentador.</p> <p>C. Revise que los cables estén correctamente conectados.</p> <p>D. Reemplace el calentador.</p> <p>E. Reemplace el control.</p>
18. Funcionamiento ruidoso.	<p>A. Las cintas flejadoras de la bomba no se han cortado.</p> <p>B. El arosello del jet está mal colocado o seco (ruidoso).</p>	<p>A. Corte las cintas flejadoras con unas tijeras para chapa.</p> <p>B. Retire el jet, reemplace y lubrique el arosello, y vuelva a instalar el jet.</p>
19. El control remoto (si está equipado) no funciona.	<p>A. Las pilas están mal instaladas o descargadas.</p> <p>B. La antena del arnés de cables está dañada.</p> <p>C. El control remoto no se ha programado correctamente.</p> <p>D. El control remoto no funciona.</p> <p>E. El control no funciona.</p>	<p>A. Reemplace las pilas.</p> <p>B. Reemplace el arnés de cables.</p> <p>C. Consulte la guía del usuario o el manual de servicio.</p> <p>D. Reemplace el control remoto.</p> <p>E. Reemplace el control.</p>

Guía para resolver problemas de las luces de cromoterapia - Sólo Modelos H2

Síntomas	Causas probables	Acción recomendada
20. Las luces de cromoterapia no funcionan.	<p>A. Los cables/conexiones están flojos, desconectados o dañados.</p> <p>B. El control no funciona.</p>	<p>A. Revise que los cables estén correctamente conectados. Reemplace los cables de ser necesario.</p> <p>B. Reemplace el control.</p>

USA/Canada: 1-800-4KOHLER

México: 001-800-456-4537

kohler.com

THE BOLD LOOK
OF **KOHLER**®

©2013 Kohler Co.

1022205-2-D