



Features

- Glass
- Without overflow
- Above-the-counter installation
- ADA compliant when installed to a 1" (5.1 cm) thick slab with wall-mounted or single-hole, single-control faucet
- 19" (48.3 cm) diameter

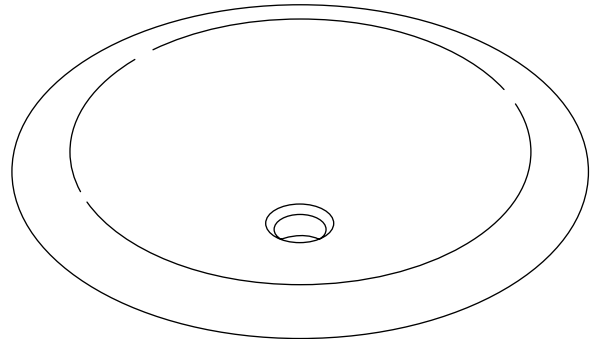
VESSELS LAVATORY
K-2370
ALSO K-14016

ADA

Codes/Standards Applicable

Specified model meets or exceeds the following:

- IAPMO/UPC IGC 172
- ICC/ANSI A117.1
- ADA
- CSA B45
- CSA B45.11



Colors/Finishes

- B10: Storm
- B11: Ice™

Accessories

- CP: Polished Chrome
- Other: Refer to Price Book for additional colors/finishes

Specified Model

Model	Description	Colors/Finishes	
K-2370	Mirovia vessels lavatory	<input type="checkbox"/> B10	<input type="checkbox"/> B11
K-14016	Pallene vessels lavatory	<input type="checkbox"/> B10	<input type="checkbox"/> B11

Required Accessories			
K-7107	Decorative drain OR	<input type="checkbox"/> CP	<input type="checkbox"/> Other_____
K-7108	Decorative drain OR	<input type="checkbox"/> CP	<input type="checkbox"/> Other_____
K-7129	Grid drain	<input type="checkbox"/> CP	<input type="checkbox"/> Other_____

Product Specification

The vessels lavatory shall be made of glass. Lavatory shall be 19" (48.3 cm) in diameter. Lavatory shall be for above-the-counter installation. Lavatory shall be without overflow. Lavatory shall be ADA compliant when distance from rim to floor is 34" (86.4 cm). Lavatory shall be Kohler Model K-____-____.

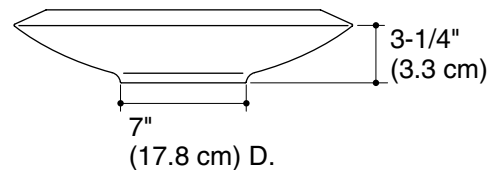
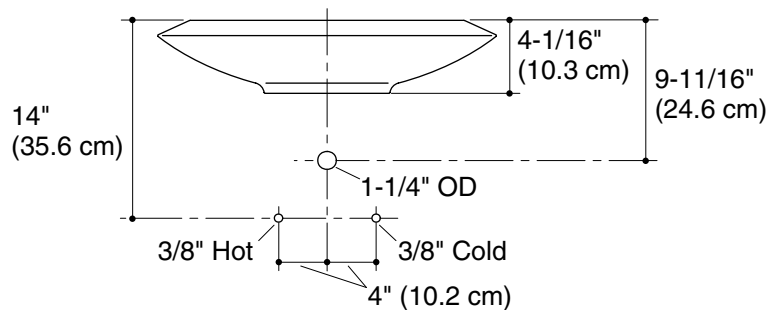
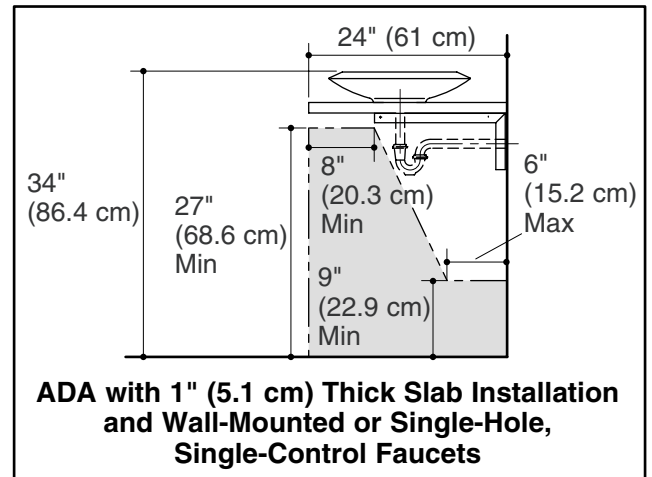
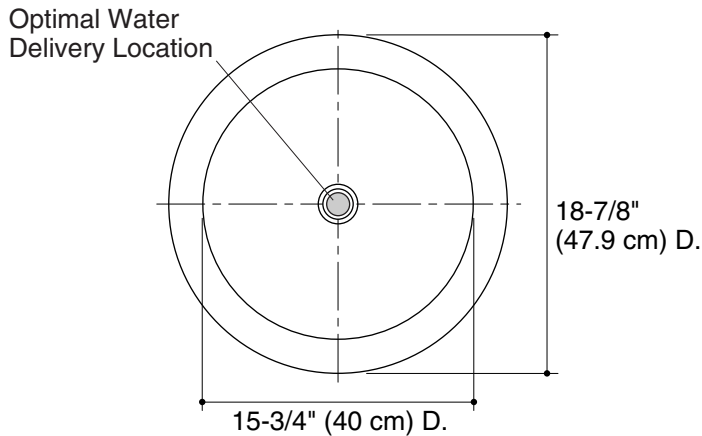
Technical Information

Fixture*:		
Lavatory	K-2370	K-14016
Basin area	15-3/4" (40 cm) D.	15-3/4" (40 cm) D.
Water depth	3-1/2" (8.9 cm)	3-1/2" (8.9 cm)
Drain hole	1-5/8" (4.1 cm) D.	1-5/8" (4.1 cm) D.
* Approximate measurements for comparison only.		

Included components:	
Drain gasket kit	1070246

Installation Notes

Install this product according to the installation guide.
Product does not have an overflow.



Product Diagram