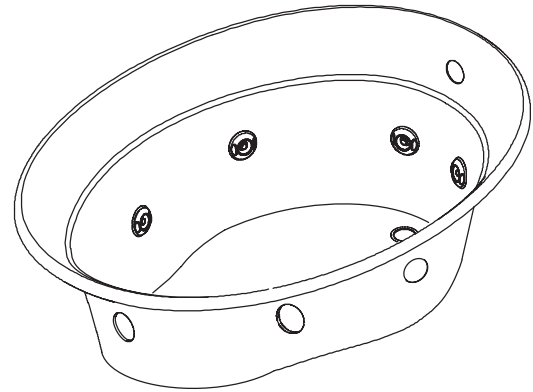


5' CUSTOM BATH WHIRLPOOL

K-1337-CN

FEATURES

- 60" (152.4cm) x 42-1/4" (107.3cm) x 21" (53.3cm)
- Acrylic
- Oval shape
- Drop-in rim style, custom pump
- UL Listed
- Textured bottom surface
- 1-1/4 hp pump with air switch and cord with plug
- 8 individually adjustable hydro-massage jets
- Optional K-9698 whirlpool trim kit in various finishes
- Optional K-1491 removable pillow
- Optional K-1639 timer kit
- Coordinates with Serif suite



CODES/STANDARDS APPLICABLE

Specified model meets or exceeds the following:

- ANSI Z124.1
- ASME/ANSI A112.19.7M
- IAPMO/UPC
- Underwriters Laboratories (UL)

COLORS/FINISHES

- 0 White
- Other Refer to Fixtures Price Book for additional colors

Accessories:

- CP Polished Chrome
- PB Polished Brass
- Other Refer to Faucets Price Book for additional finishes
- NA None Applicable

SPECIFIED MODEL:

Model	Description	Colors/Finishes		
		<input type="checkbox"/> 0 White	<input type="checkbox"/> Other_____	
K-1337-CN	5' bath whirlpool, drop-in rim style, custom pump	<input type="checkbox"/> 0 White	<input type="checkbox"/> Other_____	
Recommended Accessories				
K-7166-AF	Drain	<input type="checkbox"/> CP	<input type="checkbox"/> PB	<input type="checkbox"/> Other_____
Optional Accessories				
K-9698	Jet trim kit (metal finishes)	<input type="checkbox"/> CP	<input type="checkbox"/> PB	<input type="checkbox"/> Other_____
K-1639	Timer Kit			<input type="checkbox"/> NA
K-1491	Pillow	<input type="checkbox"/> 0 White	<input type="checkbox"/> Other_____	

PRODUCT SPECIFICATION:

The oval bath whirlpool shall be 60" (152.4cm) in length, 42-1/4" (107.3cm) in width, and 21" (53.3cm) in height. Drop-in bath whirlpool shall be made of acrylic for drop-in custom pump installation. 1-1/4 HP pump with air switch and cord with plug. Bath whirlpool shall have 8 individually adjustable hydro-massage jets. Bath whirlpool shall be UL listed. Bath whirlpool shall have textured bottom surface. Bath whirlpool shall have optional K-1639 timer kit. Bath whirlpool shall have optional K-1639 timer kit. Bath whirlpool shall have optional K-1491 removable pillow. Bath whirlpool shall be Kohler Model K-1337-CN-_____.

PRODUCT INFORMATION

Fixture*:	basin area	top area	weight	
Bathing well	42" (106.7cm) x 28" (71.1cm)	55" (139.7cm) x 40" (101.6cm)	110 lbs. (49.9kg)	
	water depth	capacity		
To overflow	15-1/2" (39.4cm)	73 gal. (276.3 L)		
* Approximate measurements for comparison only.				
Pump:	HP	V	Hz	A
1-speed	1-1/4	120	60	7.5
Included Components:				
Cutout template		1017044-7		

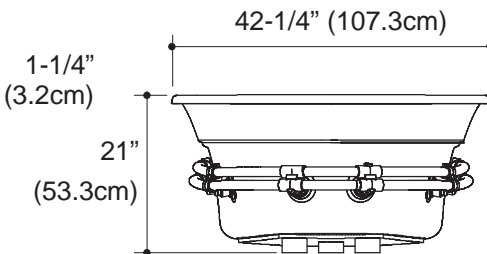
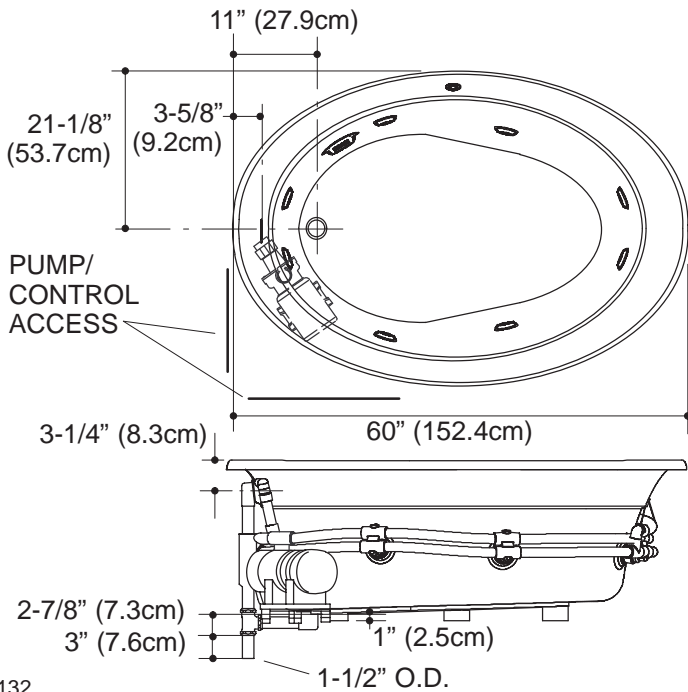
REQUIRED ELECTRICAL SERVICE

Dedicated circuit required, protected with Class A Ground-Fault Circuit-Interrupter (GFCI):	
Pump/control	120 V, 15 A, 60 Hz
Locate the outlet behind the whirlpool and within 24" (61cm) of the pump.	

INSTALLATION NOTES

Install this product according to the installation guide. Floor support under whirlpool must provide for a minimum of 80 lbs./square foot (390 Kg./square meter) loading.

No change in measurements if connected with drain illustrated.		
Minimum access panel:		
Pump/control	20" (50.8cm) W x 15" (38.1cm) H	required
Provide pump/control access in either location shown; supplies must not interfere with pump/control access.		



132

PRODUCT DIAGRAM