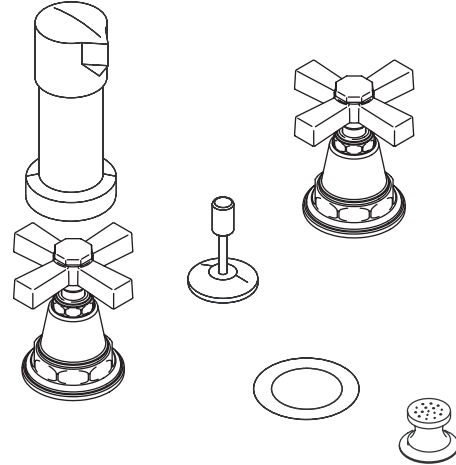


**BIDET FAUCET  
K-13142**

**Features**

- Metal construction
- Flexible connections for easy installation
- Brass valve bodies
- Reversible quarter-turn washerless ceramic disc valves
- Pop-up drain with lift rod and tailpiece
- Variety of handle style options
- Vertical spray
- Fixture-mount transfer valve/vacuum breaker
- Cross handles



**Codes/Standards Applicable**



Specified model meets or exceeds the following:

- ASME A112.18.1
- CSA B125
- IAPMO/UPC
- ASSE 1001

**Colors/Finishes**

- CP: Polished Chrome
- Other: Refer to Price Book for additional colors/finishes

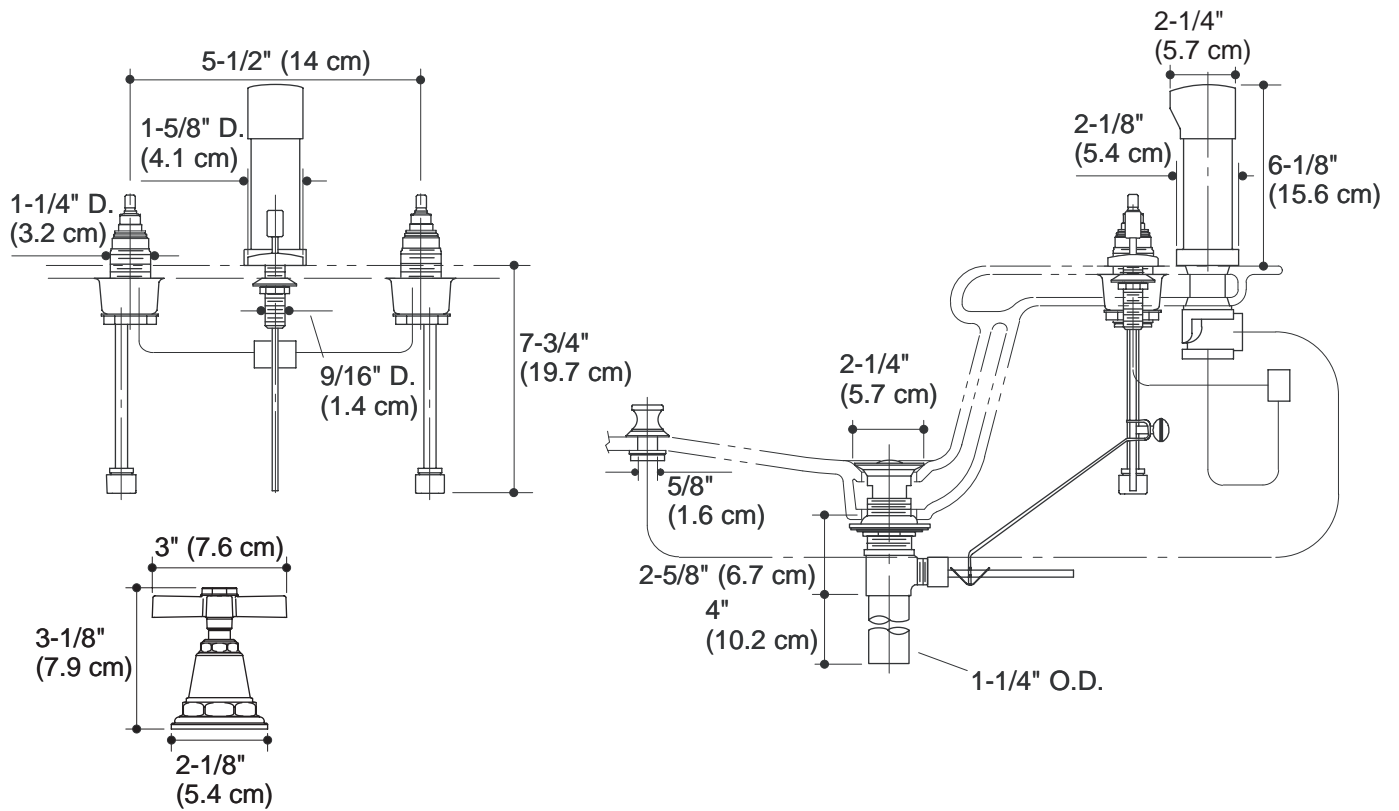
**Specified Model**

Model	Description				
K-13142-3A	Pinstripe Pure Cross Handle without Grooves	<input type="checkbox"/> CP	<input type="checkbox"/> Other ____		
K-13142-3B	Pinstripe Cross Handle with Grooves			<input type="checkbox"/> CP	<input type="checkbox"/> Other ____

**Product Specification**

Two-handle fixture-mount bidet faucet shall be of metal construction. Faucet shall feature brass valve bodies. Faucet shall feature reversible quarter-turn washerless ceramic disc valves, assuring positive handle stop positioning. Product shall include flexible connections, pop-up drain with lift rod and tailpiece, handles, vertical spray, and fixture-mount valve/vacuum breaker. Faucet shall be Kohler Model K-13142-\_\_\_\_\_-\_\_\_\_\_.

# PINSTRIPETM



## Product Diagram