

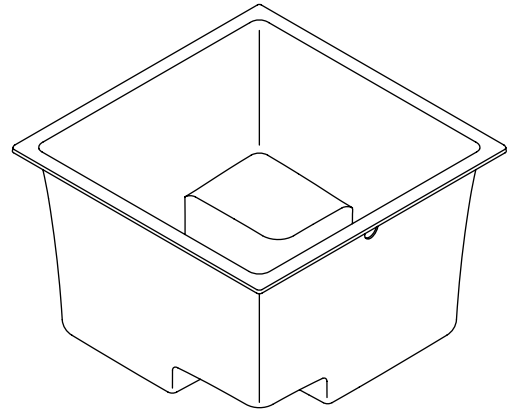
Features

- Acrylic
- Drop-in or undermount installation
- Two raised corner seats, at 6-3/4" (17.1 cm) and 11-7/8" (30.2 cm) from bath floor
- 27-1/2" (69.9 cm) soaking depth
- 48" (121.9 cm) x 48" (121.9 cm) x 34" (86.4 cm)

Codes/Standards Applicable

Specified model meets or exceeds the following:

- ANSI Z124.1.2
- CSA B45.0
- CSA B45.5



Colors/Finishes

- 0: White
- Other: Refer to Price Book for additional colors/finishes

Accessories

- CP: Polished Chrome
- NA: None applicable
- Other: Refer to Price Book for additional colors/finishes

Specified Model

Model	Description	Colors/Finishes		
K-1968	Cube bath	<input type="checkbox"/> 0	<input type="checkbox"/> Other_____	
Recommended Accessories				
K-8150	Cable drain	<input type="checkbox"/> NA		
K-8134	Drain trim kit		<input type="checkbox"/> CP	<input type="checkbox"/> Other_____
Optional Accessories				
K-578	Undermount kit	<input type="checkbox"/> NA		

Product Specification

The bath shall be 48" (121.9 cm) in length, 48" (121.9 cm) in width, and 34" (86.4 cm) in height. Bath shall be made of acrylic. Bath shall be for drop-in or undermount installation. Bath shall have two raised corner seats, at 6-3/4" (17.1 cm) and 11-7/8" (30.2 cm) from bath floor. Bath shall have a 27-1/2" (69.9 cm) soaking depth. Bath shall be Kohler Model K-1968-_____.

UNDERScore™

Technical Information

Fixture*:	
Bathing well:	
Basin area, bottom	39-3/8" (100 cm) x 39-3/8" (100 cm)
Basin area, top	44-5/8" (113.4 cm) x 44-5/8" (113.4 cm)
Weight	110 lbs (49.9 kg)
To overflow:	
Water depth	27-1/2" (69.9 cm)
Capacity	171 gal (647.3 L)
* Approximate measurements for comparison only.	
Drop-in cut-out	47" (119.4 cm) x 47" (119.4 cm)

Installation Notes

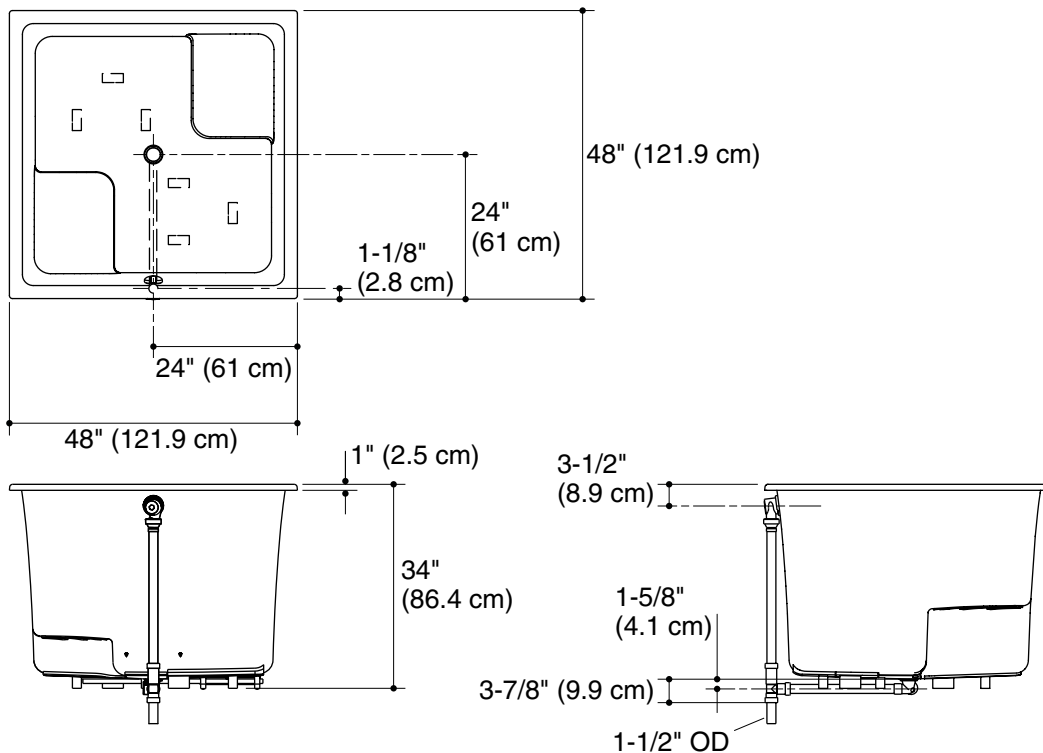
Install this product according to the installation guide.

Floor support under bath must provide for a minimum of 105 lbs/square foot (513 kg/square meter) loading.

Hot water supply should be 70% of capacity or greater. Installations will vary.

Fixture conforms to ANSI Standards Z124.1.2 and CSA B45.0, CSA B45.5. All dimensions are nominal.

No change in measurements if connected with drain illustrated. (K-8150)



Product Diagram