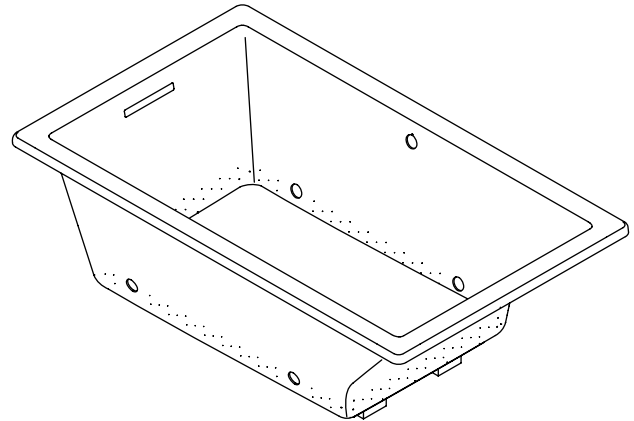


### Features

- Acrylic
- Drop-in installation
- Blower motor with 300 W heater and electronic back-lit user control
- 122 BubbleMassage™ airjets
- With Zones of Control™ feature
- Available with chromatherapy [-GCR]
- 60" (1524 mm) x 36" (914 mm) x 21" (533 mm)

### BUBBLEMASSAGE™ BATH K-1849-G ALSO K-1849-GCR



### Codes/Standards Applicable

Specified model meets or exceeds the following:

- ASME A112.19.7
- ANSI Z124.1.2
- CSA B45.0
- CSA B45.5
- UL 1795
- ASTM E162
- ASTM E662

### Colors/Finishes

- 0: White
- Other: Refer to Price Book for additional colors/finishes

### Accessories

- CP: Polished Chrome
- PB: Vibrant® Polished Brass
- NA: None applicable

### Specified Model

Model	Description	Colors/Finishes	
K-1849-G	BubbleMassage bath – without chromatherapy	<input type="checkbox"/> 0	<input type="checkbox"/> Other_____
K-1849-GCR	BubbleMassage bath – with chromatherapy (shown)	<input type="checkbox"/> 0	<input type="checkbox"/> Other_____

Required Accessories			
K-7271	Clearflo slotted overflow brass bath drain <b>OR</b>	<input type="checkbox"/> CP	<input type="checkbox"/> PB <input type="checkbox"/> Other_____
K-7272	Clearflo slotted overflow bath drain – PVC pipe	<input type="checkbox"/> CP	<input type="checkbox"/> PB <input type="checkbox"/> Other_____

Optional Accessories			
K-534	Undermount kit		<input type="checkbox"/> NA
K-1491	Pillow	<input type="checkbox"/> 0	<input type="checkbox"/> Other_____
K-1601	Footstop	<input type="checkbox"/> 0	<input type="checkbox"/> Other_____
K-1705	Remote control		<input type="checkbox"/> NA

### Product Specification

The acrylic BubbleMassage bath shall be 60" (1524 mm) in length, 36" (914 mm) in width, and 21" (533 mm) in height. Bath shall be for drop-in installation. Bath shall have a blower motor with 300 W heater, and electronic back-lit user control. Bath shall have 122 BubbleMassage airjets. Bath shall be with Zones of Control™ feature. Bath shall be available with chromatherapy [-GCR]. Bath shall be Kohler Model K-1849-G-\_\_\_\_ or K-1849-GCR-\_\_\_\_.

# UNDERScore®

## Technical Information

Fixture*:	
Bathing well:	
Basin area, bottom	39-9/16" (1005 mm) x 24-11/16" (627 mm)
Basin area, top	53-5/8" (1362 mm) x 29-1/2" (749 mm)
Weight	100 lbs (45.4 kg)
To overflow:	
Water depth	17-1/8" (435 mm)
Capacity	81.1 gal (307 L)
* Approximate measurements for comparison only.	

Drop-in cut-out	59-1/2" (1511 mm) x 35-1/2" (902 mm)
-----------------	--------------------------------------

Blower motor/control:	Heater	V	Hz	A
	300 W	220-240	50/60	15

## Required Electrical Service

Dedicated circuit required, protected with Class A Ground-Fault Circuit-Interrupter (GFCI) or Residual Current Device (RCD):

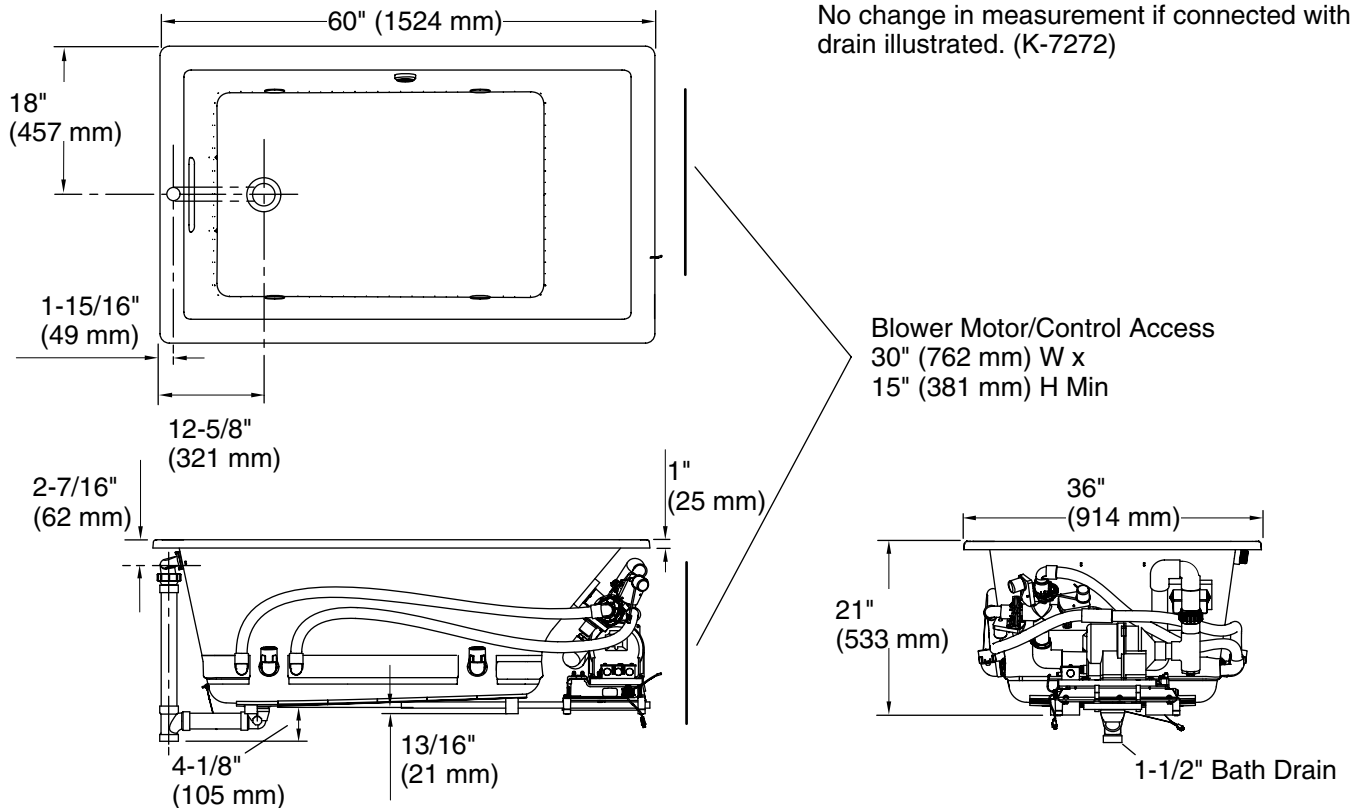
Blower motor/control:	220-240 V, 15 A, 50/60 Hz
-----------------------	---------------------------

## Installation Notes

Install this product according to the installation guide.

Floor support under bath must provide for a minimum of 54 lbs/square foot (263 kg/square meter) loading.

Hot water supply should be 70% of capacity or greater. Installations will vary.



## Product Diagram