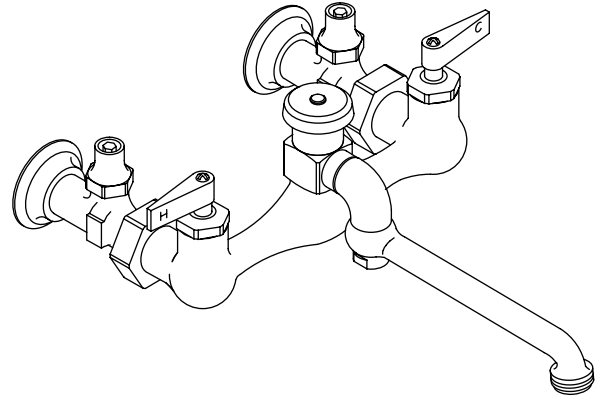


**SERVICE SINK FAUCET  
K-13625**

ADA

**Features**

- Brass construction
- For 8" (20.3 cm) centers
- Brass valve bodies
- Valvet® valves
- 7" (17.8 cm) swing spout threaded hose connection
- 11-7/8" (25.7 cm) wall-to-spout outlet
- Lever handle(s)
- Adjustable flanges
- Vacuum breaker
- Internal NPT connections



**Codes/Standards Applicable**

Specified model meets or exceeds the following:

- ASME A112.18.1
- IAPMO/UPC
- ADA

**Colors/Finishes**

- CP: Polished Chrome

**Specified Model:**

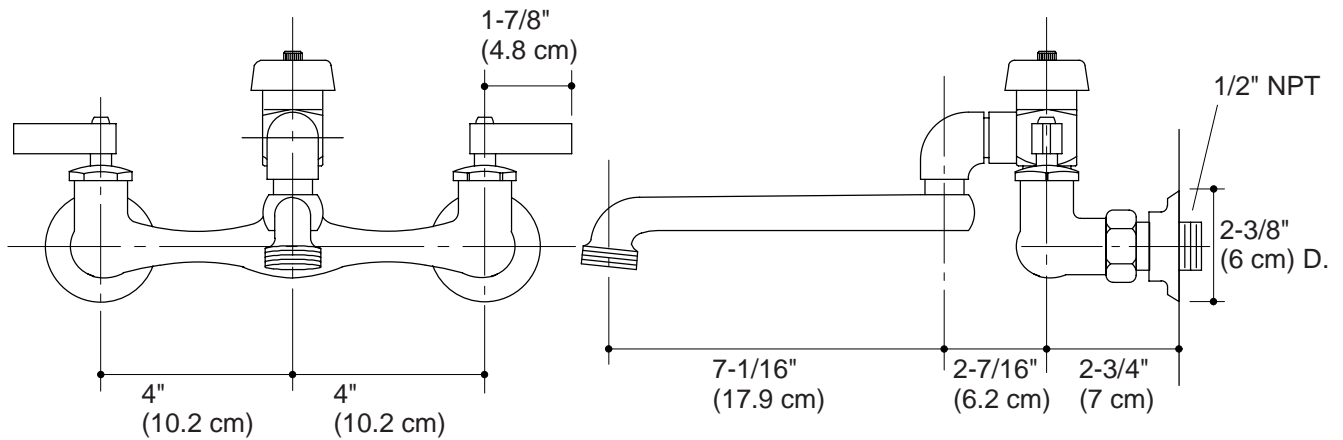
Model	Description	Colors/Finishes
K-13625	Service Sink Faucet	<input type="checkbox"/> CP

**PRODUCT SPECIFICATION**

Two-handle service sink faucet shall be of brass construction. Faucet shall feature brass valve bodies. Faucet shall also feature Valvet® valves. Product shall include 8" (20.3 cm) centers, 7" (17.8 cm) swing spout threaded hose connection, 11-7/8" (30.2 cm) wall-to-spout outlet, lever handles, adjustable flanges, vacuum breaker, and internal NPT connections. Faucet shall be Kohler Model K-13625-\_\_\_\_\_.

## Installation Notes

Install this product according to the installation guide.



## Product Diagram