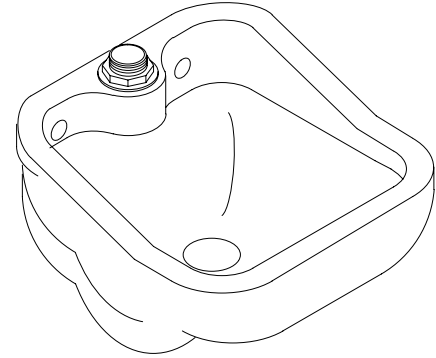


### FEATURES

- 21-1/2" x 25"
- Vitreous china
- 1-1/2" top spud
- Blow-out action flushing rim



### CODES/STANDARDS APPLICABLE

Specified model meets or exceeds the following:

- ASME/ANSI A112.19.2M
- IAPMO/UPC
- Canadian Standards Association (CSA)
- State of Massachusetts

### COLORS/FINISHES

- 0 White

#### Accessories:

- CP Polished Chrome
- NA None Applicable

### SPECIFIED MODEL:

Model	Description	Colors/Finishes
K-12867	Service sink	<input type="checkbox"/> 0 White
Optional Accessories		
K-13864	Loose sink strainer	<input type="checkbox"/> CP
K-8935	Stainless steel rim guard	<input type="checkbox"/> NA

### PRODUCT SPECIFICATION:

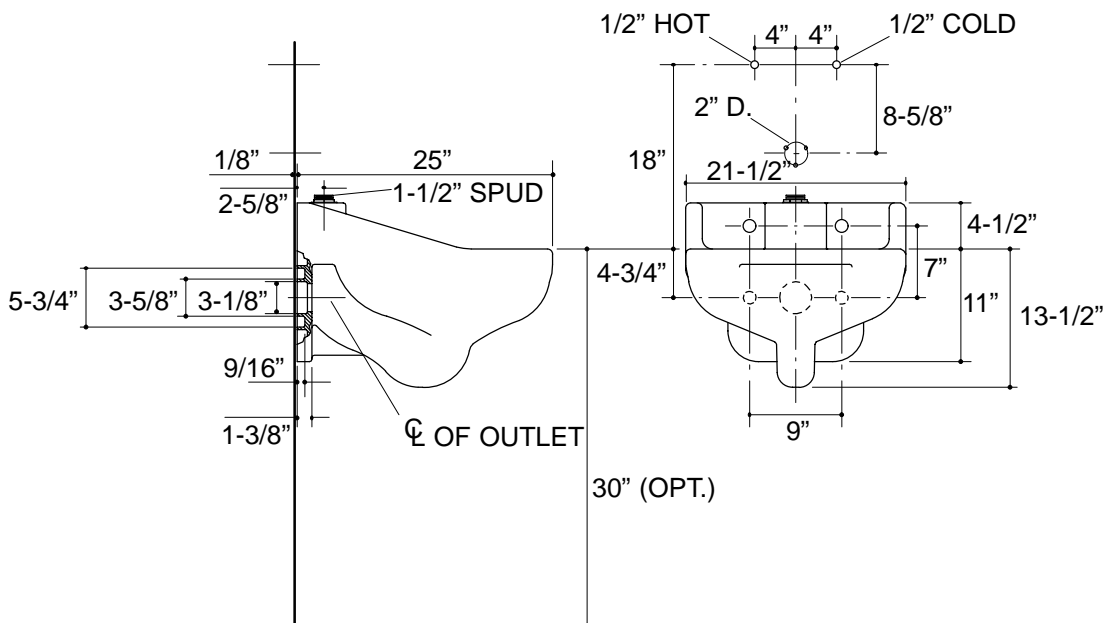
The service sink shall be 21-1/2" in length, and 25" in width with a 1-1/2" top spud. Sink shall be made of vitreous china. Sink shall have blow-out action flushing rim. Sink shall be Kohler Model K-12867-\_\_\_\_\_.

## PRODUCT INFORMATION

Fixture*:		basin area	water depth
Sink		18" x 18"	6-1/4"
Water surface	15" x 16"		
Outlet	3-1/8" D.		
Spud hole	2-1/4" D.		
Passageway	2-5/8"		
Minimum running pressure required			25 p.s.i.
* Approximate measurements for comparison only.			
Included Components:			
1-1/2" spud		18357	

## INSTALLATION NOTES

Follow carrier manufacturer's installation instructions.



## PRODUCT DIAGRAM