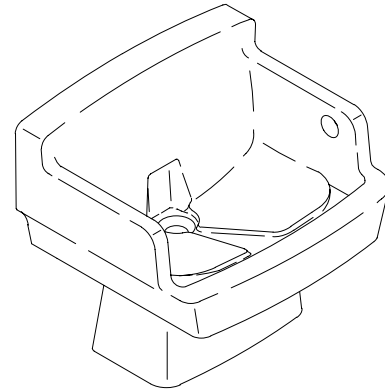


FEATURES

- 27" x 23"
- Vitreous china



CODES/STANDARDS APPLICABLE

Specified model meets or exceeds the following:

- ASME/ANSI A112.19.2M
- Canadian Standards Association (CSA)
- State of Massachusetts

COLORS/FINISHES

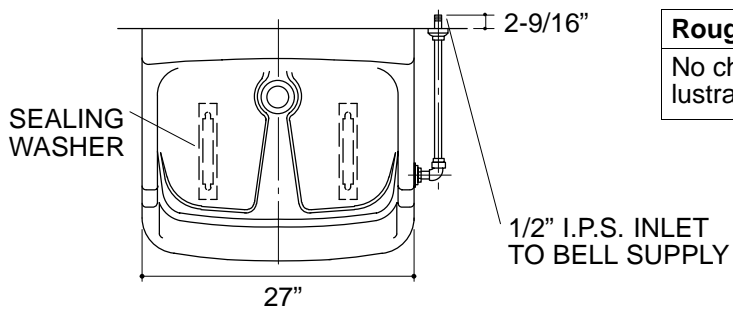
- 0 White

SPECIFIED MODEL:

Model	Description	Colors/Finishes
K-12515	Sitz bath	<input type="checkbox"/> 0 White
Required Accessories		
K-12517	Pedestal	<input type="checkbox"/> 0 White

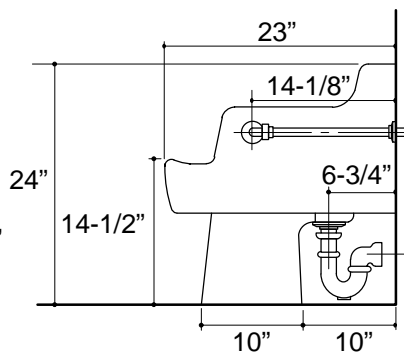
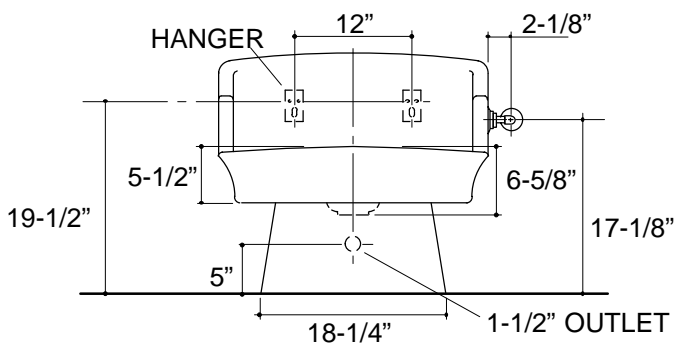
PRODUCT SPECIFICATION:

The perineal sitz bath shall be 27" in length and 23" in width. Bath shall have required pedestal. Bath and pedestal shall be made of vitreous china. Bath shall be Kohler Model K-12515-_____.



Roughing-In Notes

No change in measurements if connected with drain illustrated.



364

PRODUCT DIAGRAM