

Product Information

Applicable product:	
Bath – drop-in rim style	K-1242
Bath with left drain – three-wall alcove	K-1242-L
Bath with right drain – three-wall alcove	K-1242-R
Fixture*:	
Basin area:	
Basin area, top	54" (137.2 cm) x 27" (68.6 cm)
Basin area, bottom	46" (116.8 cm) x 24" (61" cm)
Weight	62 lbs (28.1 kg)
To overflow:	
Water depth	14" (35.6 cm)
Capacity	63 gal (238.5 L)
* Approximate measurements for comparison only.	
Drop-in cutout:	58" (147.3 cm) x 34" (86.4 cm)

Installation Notes

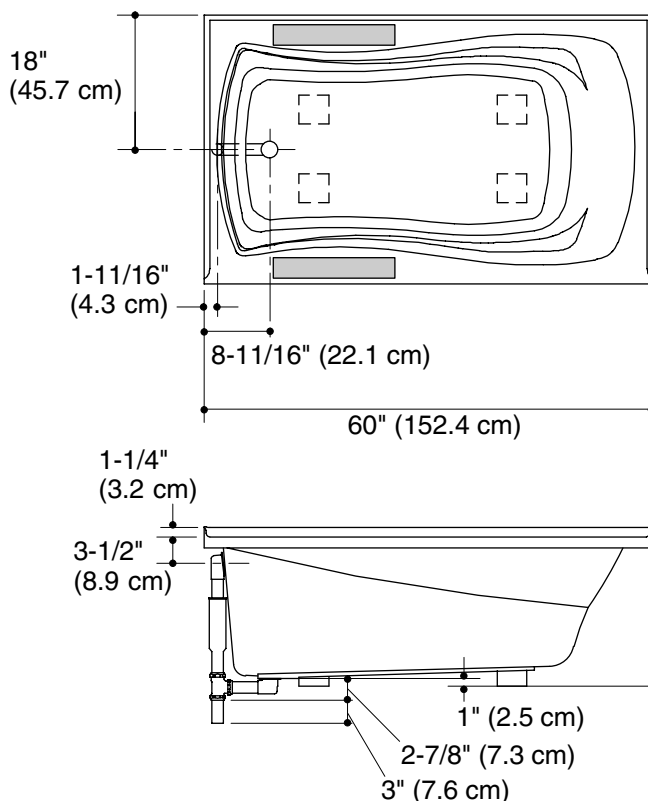
Install this product according to the installation guide.

Floor support under bath must provide for a minimum of 41 lbs/square foot (200 kg/square meter) loading.

If installing a rim-mount faucet, make sure there is no interference with the drain overflow before drilling any holes. Consult local and national codes for minimum air gap requirements if installing a spout on the faucet deck.

The apron must be installed before the finished floor and wall materials are installed.

Fixture conforms to ANSI Standard Z124.1.2. All dimensions are nominal.



No change in measurements if connected with drain illustrated. (K-7161-AF)

