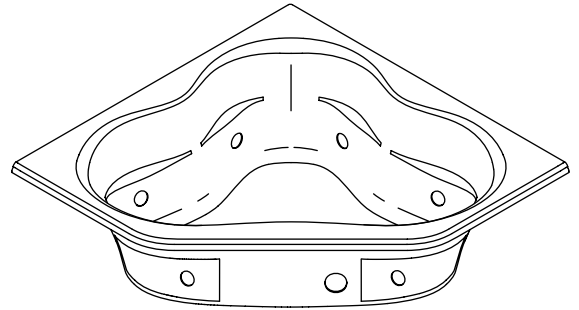


### Features

- Acrylic
- For corner installation
- 6 individually adjustable ProFlex™ hydro-massage jets
- 1-1/4 hp pump with air switch and grounding-type plug-in cord
- T-style heater
- Molded lumbar supports and armrests
- Drop-in rim style, ship-in-place custom pump
- 60" (152.4 cm) x 60" (152.4 cm) x 21" (53.3 cm)

### CORNER BATH WHIRLPOOL WITH CUSTOM PUMP AND HEATER K-1160-HD



### Codes/Standards Applicable

Specified model meets or exceeds the following:

- ANSI Z124.1
- IAPMO/UPC
- Underwriter's Laboratories (UL)
- ASME A112.19.7M

### Colors/Finishes

- 0: White
- Other: Refer to Price Book for additional colors/finishes

### Accessories:

- CP: Polished Chrome
- 0: White
- Other: Refer to Price Book for additional colors/finishes
- NA: None applicable

### Specified Model

Model	Description	Colors/Finishes	
K-1160-HD	Whirlpool, drop-in rim style, custom pump, and heater(shown)	<input type="checkbox"/> 0 White	<input type="checkbox"/> Other_____
<b>Recommended Accessory</b>			
K-11677	Drain	<input type="checkbox"/> CP	
<b>Optional Accessories</b>			
K-9696	Jet trim kit (Metal finishes)	<input type="checkbox"/> CP	<input type="checkbox"/> Other_____
K-1491	Pillow	<input type="checkbox"/> 0 White	<input type="checkbox"/> Other_____

### Product Specification:

The corner bath whirlpool shall be 60" (152.4 cm) in length, 60" (152.4 cm) in width, and 21" (53.3 cm) in height. Drop-in rim style with ship-in-place custom pump bath whirlpool shall be made of acrylic. Bath whirlpool shall have T-style heater, 6 individually adjustable ProFlex™ hydro-massage jets, and 1-1/4 hp pump with air switch and grounding type plug-in cord. Bath whirlpool shall have molded lumbar supports and armrests. Bath whirlpool shall be Kohler Model K-1160-HD-\_\_\_\_\_.

# TERCET™

## Technical Information

Fixture*:	basin area	top area	weight
Bathing well	52" (132.1 cm) x 38-3/4" (98.4 cm)	61" (154.9 cm) x 46-1/4" (117.5 cm)	131 lbs. (59.4kg)
	water depth	capacity	
To overflow	15" (38.1 cm)	96 gal. (363.6 L)	

\* Approximate measurements for comparison only.

Pump:	HP	V	Hz	A
1-speed	1-1/4	120	60	7.5
Heater:	kW	V	Hz	A
	1.5	120	60	12.5

Minimum access panel pump/control:  
20" (50.8 cm) W x 15" (38.1 cm) H required

## Required Electrical Service

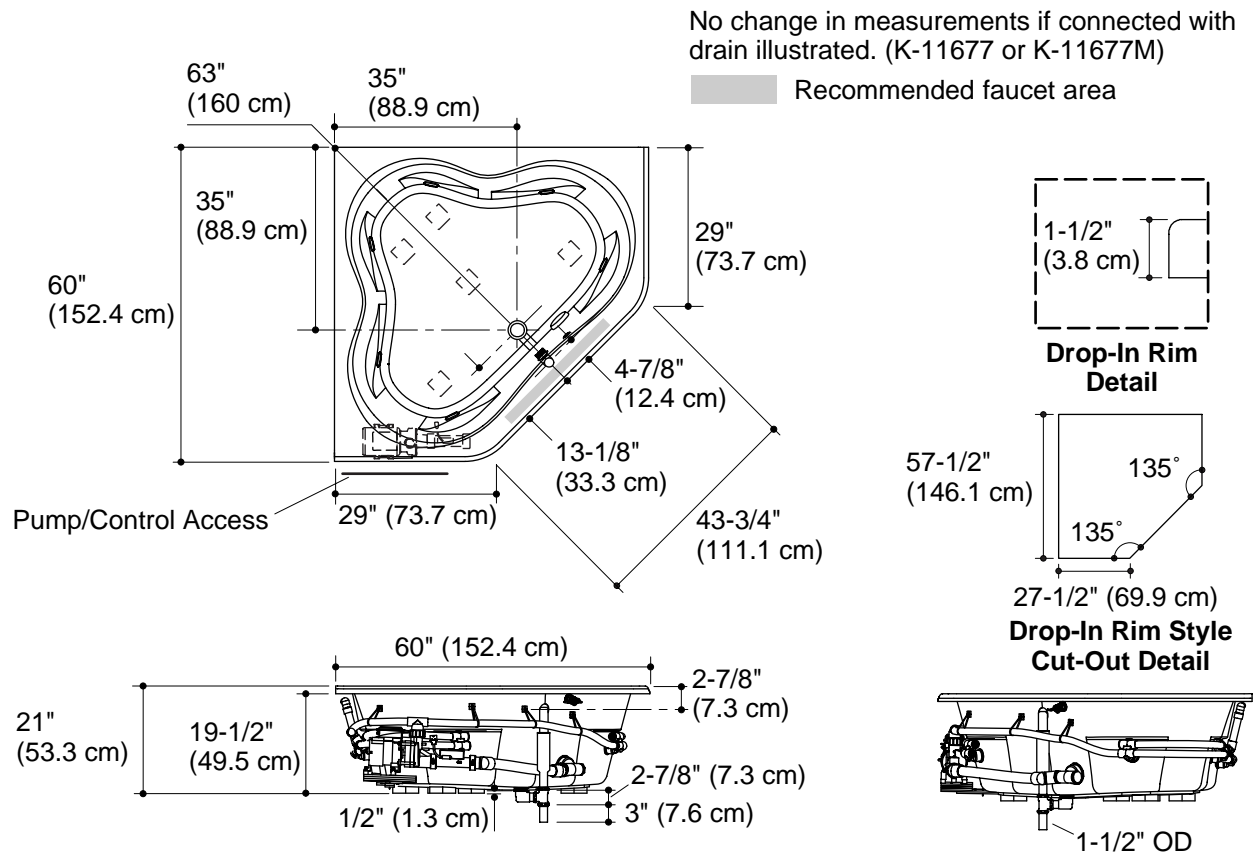
Two dedicated circuits required, each protected with Class A Ground-Fault Circuit-Interrupter (GFCI):	
Pump/control	120 V, 15 A, 60 Hz

Heater	120 V, 15 A, 60 Hz
Locate the outlets behind the whirlpool and within 24" (61 cm) of the pump.	

## Installation Notes

Install this product according to the installation guide.

Floor support under whirlpool must provide for a minimum of 80 lbs./square foot (390 kg./square meter) loading.



## Product Diagram