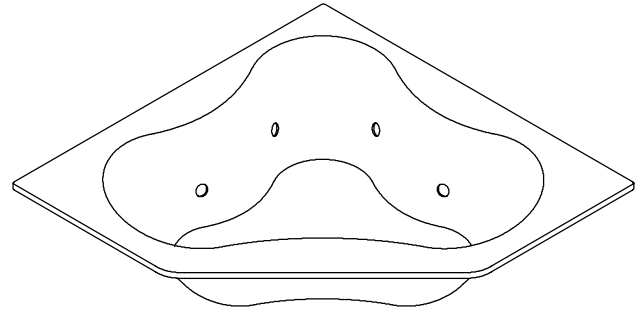


ACRYLIC BATH WHIRLPOOL WITH HEATER

K-1154-HC

FEATURES

- 54" (137.2cm) x 54" (137.2cm) x 20-1/2" (52.1cm)
- Acrylic
- Drop-in rim style, left-hand pump
- 6 individually adjustable multi-directional hydro-massage jets
- 1-1/4 HP pump with air switch and cord with plug
- In-line heater
- Molded lumbar supports and armrests
- UL listed
- For corner installation
- Optional K-1491 removable pillow
- Optional K-1639 timer kit



CODES/STANDARDS APPLICABLE

Specified model meets or exceeds the following:

- ASME A112.19.7
- ANSI Z124.1
- IAPMO/UPC
- Underwriters Laboratories (UL)
- State of Massachusetts

COLORS/FINISHES

- 0 White
- Other Refer to Fixtures Price Book for additional colors

Accessories:

- CP Polished Chrome
- PB Polished Brass
- Other Refer to Price Book for additional finishes
- NA None Applicable

SPECIFIED MODEL:

Model	Description	Colors/Finishes		
K-1154-HC	Whirlpool, drop-in rim style, left-hand pump (shown)	<input type="checkbox"/> 0 White	<input type="checkbox"/> Other _____	
Recommended Accessories				
K-11677	Drain	<input type="checkbox"/> CP		
Optional Accessories				
K-9696	Jet trim kit (metal finishes)	<input type="checkbox"/> CP	<input type="checkbox"/> PB	<input type="checkbox"/> Other _____
K-1491	Pillow	<input type="checkbox"/> 0 White		<input type="checkbox"/> Other _____
K-1639	Timer Kit	<input type="checkbox"/> NA		

PRODUCT SPECIFICATION:

The bath whirlpool shall be 54" (137.2cm) in length, 54" (137.2cm) in width, and 20-1/2" (52.1cm) in height. Bath whirlpool shall be made of acrylic, drop-in rim style, left-hand pump. Bath whirlpool shall have 6 individually adjustable multi-directional hydro-massage jets, 1-1/4 HP pump with air switch and cord with plug and in-line heater with cord and plug. Bath whirlpool shall have molded lumbar supports and armrests. Bath whirlpool shall be UL listed. Bath whirlpool shall be for corner installation. Bath whirlpool shall have optional K-1491 removable pillow. Bath whirlpool shall have optional K-1639 timer kit. Bath whirlpool shall be Kohler Model K-1154-HC-_____.

PROFLEX™ 5454

PRODUCT INFORMATION

Fixture*:	basin area	top area	weight
Bathing well	44" (111.8cm) x 36" (91.4cm)	56" (142.2cm) x 43" (109.2cm)	70 lbs. (31.8 kg)
	water depth	capacity	
To overflow	15" (38.1cm)	76 gal. (288 L)	

* Approximate measurements for comparison only.

Pump:	HP	V	Hz	A
1-speed	1-1/4	120	60	7.5
Heater:	kW	V	Hz	A
	1.5	120	60	12.5
Minimum access panel pump/control:				
20" (50.8cm) W x 15" (38.1cm) H		required		

REQUIRED ELECTRICAL SERVICE

Two dedicated circuits required, each protected with Class A Ground-Fault Circuit-Interrupter (GFCI):

Pump/control	120 V, 15 A, 60 Hz
Heater	120 V, 15 A, 60 Hz

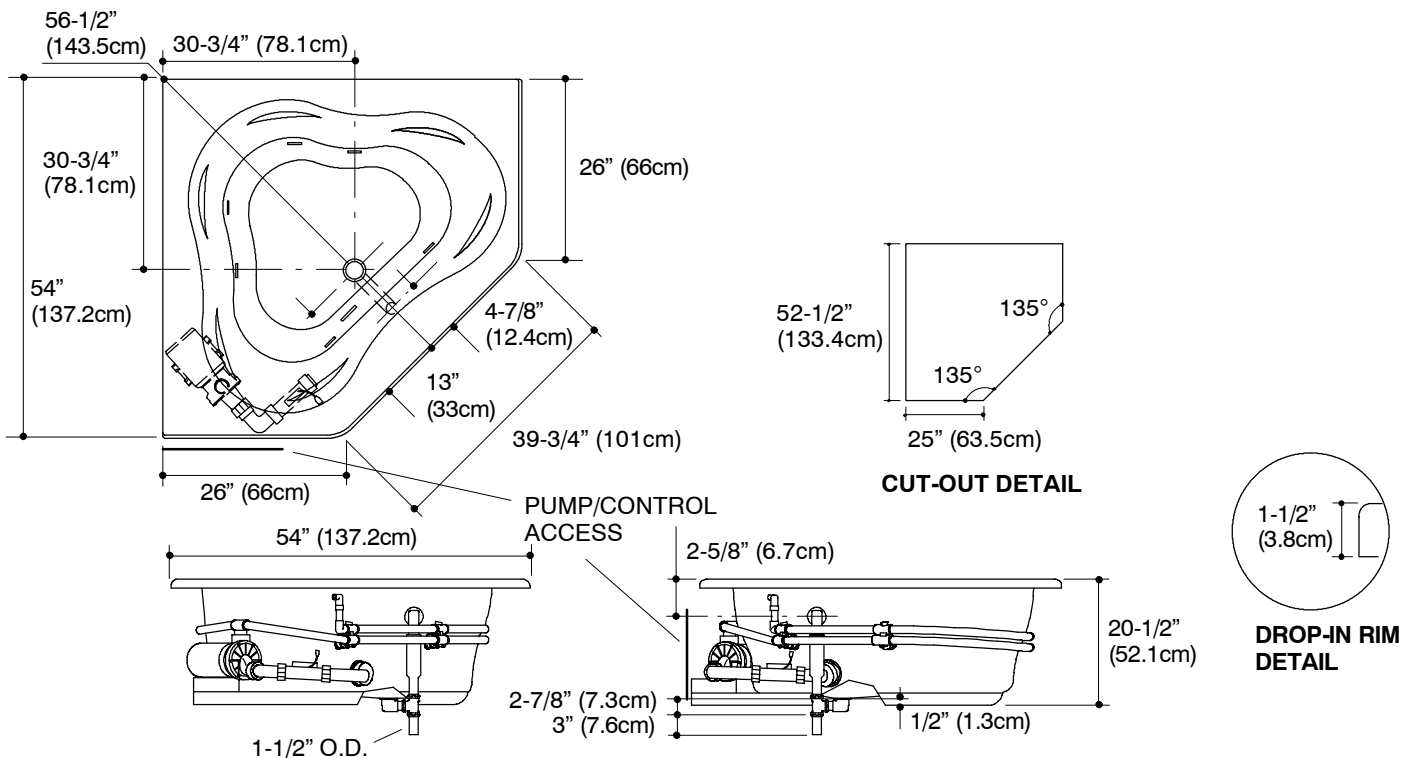
Locate the outlets behind the whirlpool and within 24" (61cm) of the pump and heater.

INSTALLATION NOTES

Install this product according to the installation guide.

No change in measurements if connected with drain illustrated. (K-11677 or K-11677M)

Floor support under whirlpool must provide for a minimum of 80 lbs./square foot (390 kg./square meter) loading.



PRODUCT DIAGRAM