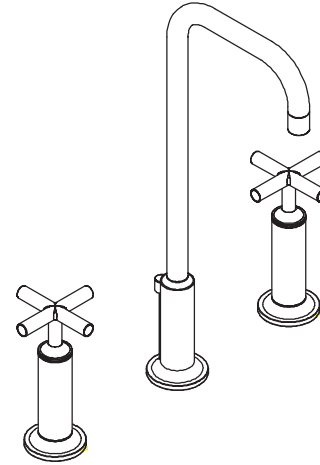


**LAVATORY FAUCET
K-14408**

FEATURES

- Metal construction
- Flexible connections
- Brass valve bodies
- Reversible quarter-turn washerless ceramic disc valves
- 5-1/2" (14cm) spout
- 2.2 gallons (8.3L) per minute
- Pop-up drain with lift rod and tailpiece
- Cross handles
- Lever handles



CODES/STANDARDS APPLICABLE

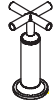

Specified model meets or exceeds the following:

- ASME/ANSI A112.18.1M
- CSA International B125
- Energy Policy Act of 1992
- IAPMO/UPC
- NSF 61

COLORS/FINISHES

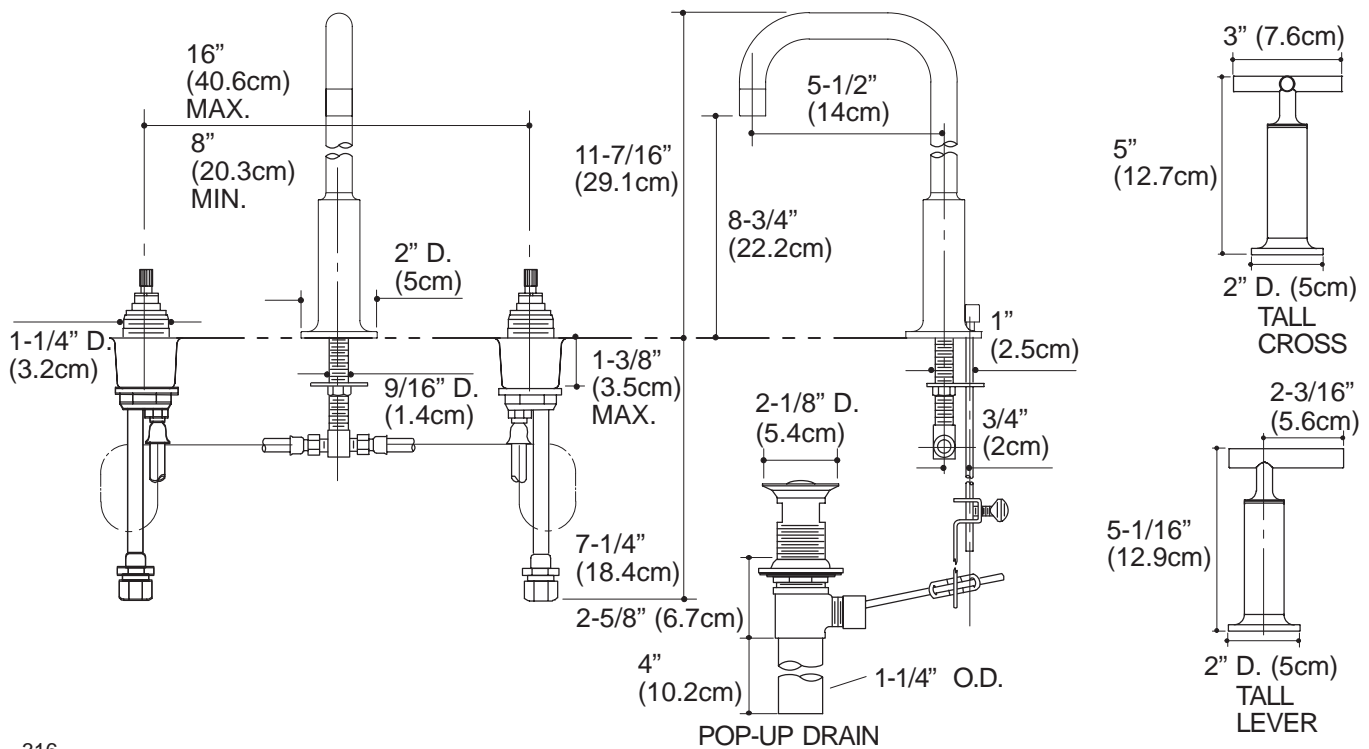
- CP Polished Chrome
- Other Refer to Faucets Price Book for additional finishes

SPECIFIED MODEL:

Model	Description	 <input type="checkbox"/> ADA		 <input type="checkbox"/> ADA	
		<input type="checkbox"/> CP	<input type="checkbox"/> Other__	<input type="checkbox"/> CP	<input type="checkbox"/> Other__
K-14408-3	Cross Handles (shown)	<input type="checkbox"/> CP	<input type="checkbox"/> Other__		
K-14408-4	Lever Handles			<input type="checkbox"/> CP	<input type="checkbox"/> Other__

PRODUCT SPECIFICATION:

Two-handle widespread lavatory faucet shall be of metal construction. Faucet shall feature brass valve bodies. Faucet shall feature reversible quarter-turn washerless ceramic disc valves, assuring positive handle stop positioning. Product shall include flexible connections, 5-1/2" (14cm) spout, pop-up drain with lift rod and tailpiece, cross and lever handles. Faucet shall be Kohler Model K-14408-_____ - _____.



316

PRODUCT DIAGRAM