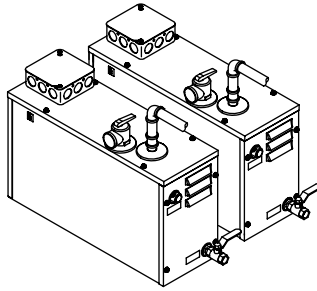


Installation Guide

Steam Generator

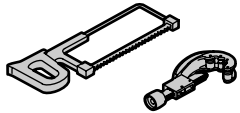
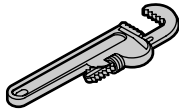
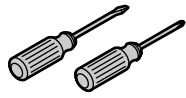
K-1714, K-1715



M product numbers are for Mexico (i.e. K-12345**M**)
Los números de productos seguidos de **M** corresponden a México
(Ej. K-12345**M**)
Français, page“ Français-1”
Español, página“ Español-1”

THE BOLD LOOK
OF **KOHLER**®

Tools and Materials



Hacksaw or Tube Cutter



Drill w/ 1-1/4" &
2-1/2" Hole Bit

Plus:

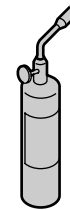
- Drain/spill pan
- 1/2" copper tubing
- Assorted copper fittings; 3/8", 1/2" and 3/4" copper NPT unions
- Wire Cutters or Wire Strippers
- Conventional woodworking tools and materials
- 45 and 90 degree elbows
- Support Blocks (heat resistant)



Sealant Tape



Solder



Propane Torch

Before You Begin

IMPORTANT! When using this unit, basic precautions should always be followed.



DANGER: Risk of electrocution. Disconnect the electricity to the working area at the main breaker panel before performing these installation steps.



WARNING: Risk of personal injury. If you become uncomfortable while taking a steam bath, you should power off the unit. Cool off with the shower, open the door, or exit the unit.



WARNING: Risk of allergic reaction. Before adding any oils, aromatic therapies, or skin care products to the aromatherapy well, make sure they will not cause an allergic reaction to the user.



WARNING: Risk of personal injury. This steam bath may not be suitable for use if you are pregnant, have a heart condition, have high blood pressure, have circulatory problems, are under the influence of alcohol, are taking drugs or are under the care of a physician. A steam bath can put undue stress on the body, as does any hot bath, shower, or sauna.



WARNING: Risk of personal injury. DO NOT consume alcoholic beverages or take medications/drugs prior to or when using the steam bath. Alcohol and drugs affect mental judgement and inhibit bodily functions such as heartbeat and respiration, resulting in potentially dangerous effects.



WARNING: Risk of injury to children. Do not allow children to use this unit unless they are closely supervised at all times. The steam generator is not designed to be used by children.



WARNING: Risk of personal injury. Do not plumb a trap in the steam line or plumb the pressure relief valve into the steam line. Plumbing the pressure relief valve into the steam line can be hazardous if the steam outlet is capped.



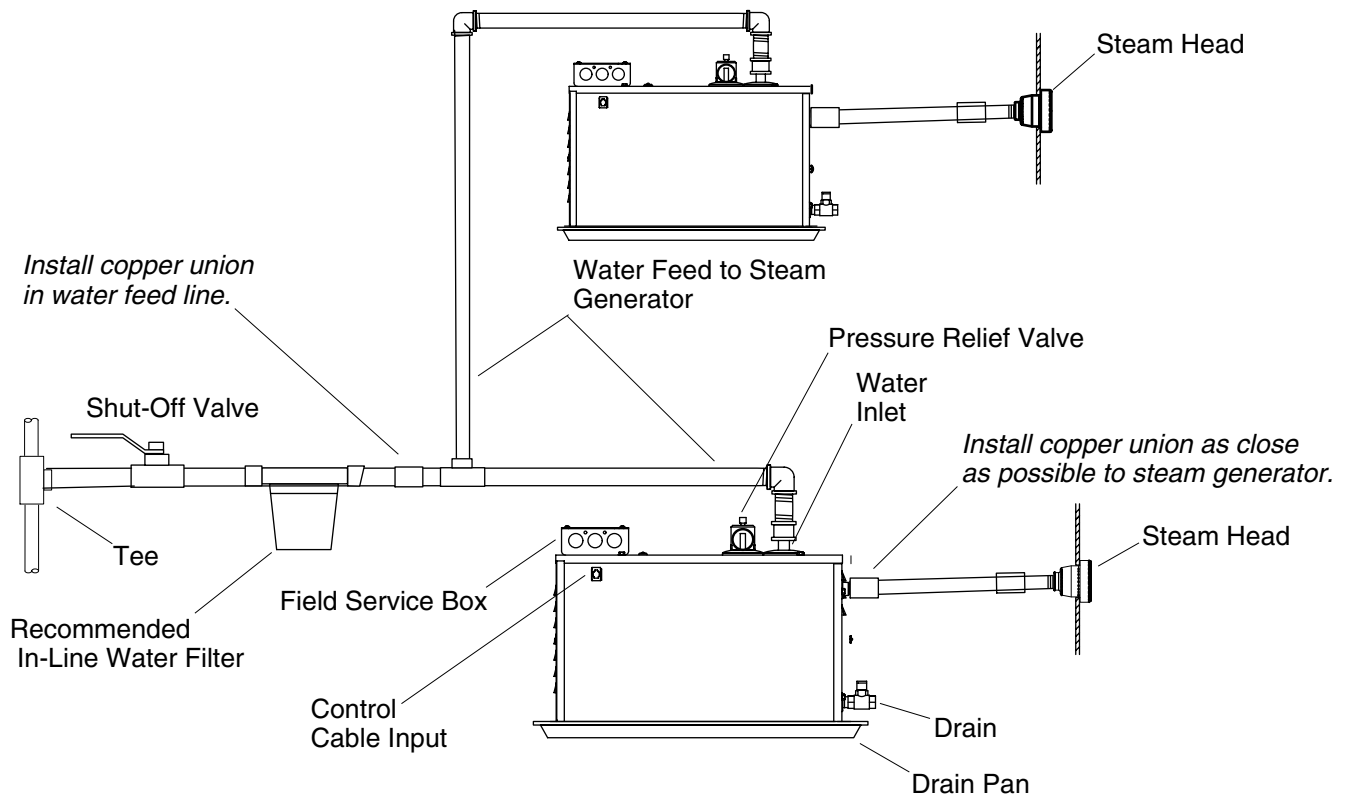
WARNING: Risk of personal injury or property damage. Avoid coming in contact with the water tank and/or steam discharge line while the generator is operating or shortly after shutdown. Wear eye protection and protective clothing when servicing the steam generator. The steam generator operates at high temperatures.

NOTICE: Use this unit only for its intended use as specified in this manual. **DO NOT** use attachments not recommended by Kohler Co.

NOTICE: Do not apply excessive heat to the generator connections when you solder connections. Do not apply flux or acids directly to the generator, as damage to the seals, plastic components, and trim finish may result. Do not apply petroleum-based lubricants to the generator components, as damage may result.

Before You Begin (cont.)

- Follow all local plumbing and electrical codes. All electrical work should be done by a qualified electrician.
- Disconnect all power before making any electrical connections.
- Kohler Co. reserves the right to make revisions in the design of products without notice, as specified in the Price Book.



1. Determine the Layout



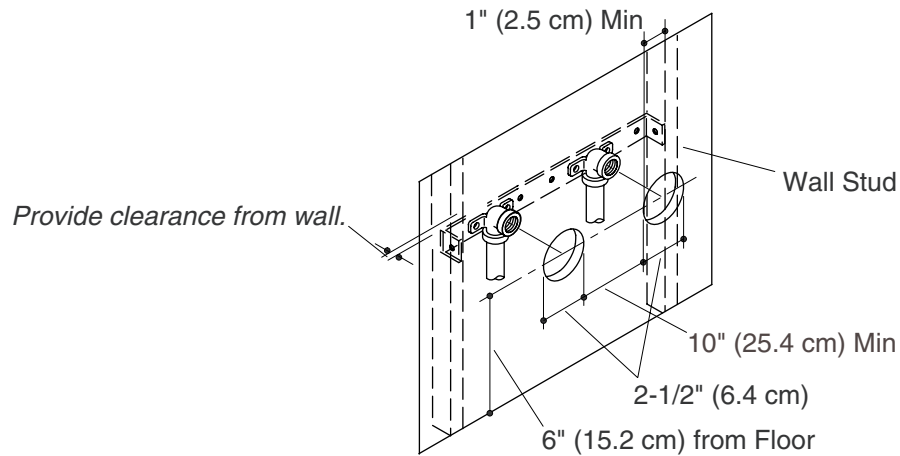
WARNING: Risk of property damage. Allow a minimum of 12" (30.5 cm) of air space between and around all sides of the steam generators at all times. This provides an area for the heat generated by the units to dissipate.

NOTICE: The steam generators will perform best when they are installed as close as possible to the steam heads. Both units should be installed within 25' (7.62 m) of the steam heads.

NOTICE: For optimum performance install the steam generators below the level of the steam heads.

NOTE: When possible, use 45 degree elbows. Performance will be increased when 45 degree elbows are used.

- Determine the location of the steam generators. Allow for a 12" (30.5 cm) air gap on all sides of the generator(s), and 12" (30.5 cm) between them. Allow for a drain pan.
- Choose a drain pan appropriate for your installation. The drain pan is not supplied.



2. Determine the Location of the Steam Hardware



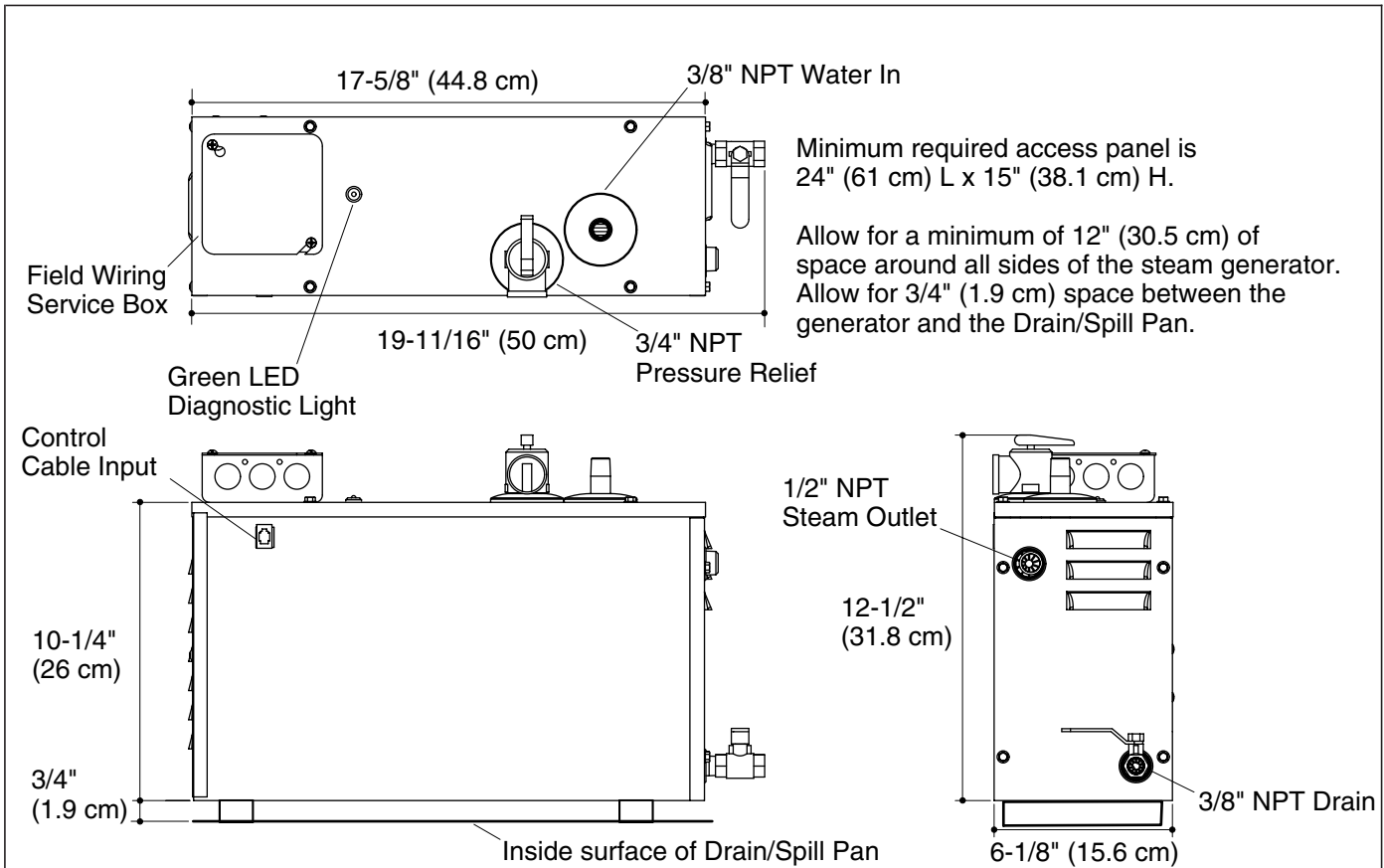
WARNING: Risk of scalding. Do not block the steam head or locate it near a seat or bench, as the steam head is hot during operation and may scald the user if touched.

For Custom Shower Applications

NOTE: All dimensions should be taken from the inside of the shower.

IMPORTANT! Do not install the steam control directly above or in-line with the steam heads.

- It is recommended to locate the steam heads and the steam control on the same wall as the plumbing controls.
- Locate the steam heads 6" (15.2 cm) above the shower floor and 4 1/2" (11.4 cm) from the threshold.
- Locate the steam control 60" (152.4 cm) above the floor of the shower, but not directly in-line with the steam heads. Refer to the Steam Control Kit Installation Instructions for more dimensional and installation information.
- Make sure there is adequate clearance between the steam lines and any surrounding surfaces.



3. Determine the Location of the Steam Generators

IMPORTANT! The minimum required access panel is 24" (61 cm) L x 15" (38.1 cm) H. Allow for a minimum 12" (30.5 cm) space around all sides of the steam generators.

- Ensure clearance between the steam lines and any surrounding surfaces.
- Allow for access to the steam generators after installation.
- Allow for a 12" (30.5 cm) air gap between and on all sides of the generators.
- Allow for a drain pan.
- For optimum performance, install the steam generators below the level of the steam heads and as close as possible to the steam heads. The steam generators should be installed within 25 ft (7.62 m) of the steam heads in a dry, well-ventilated area. They should be installed within 12" (30.5 cm) of each other.

4. Install the Electrical Supplies

Model	K-1714-NA	K-1715-NA
Ordering Information		
Steam Generator Rating	18 kW (2-9 kW)	22 kW (2-11 kW)
Required Electrical Service		
Dedicated Circuit Breaker #1	240 V, 60 A, 50/60 Hz	240 V, 60 A, 50/60 Hz
Dedicated Circuit Breaker #2	240 V, 60 A, 50/60 Hz	240 V, 60 A, 50/60 Hz
Product Information		
Weight	42 lbs (19 kg), 21 lbs (9.5 kg) each	
Size	18" (45.7 cm) L x 24" (61 cm) x 13" (33 cm)	
Electrical Rating	240 V, 45 A, 50/60 Hz	240 V, 46 A, 50/60 Hz

**Install the Electrical Supplies
(cont.)**

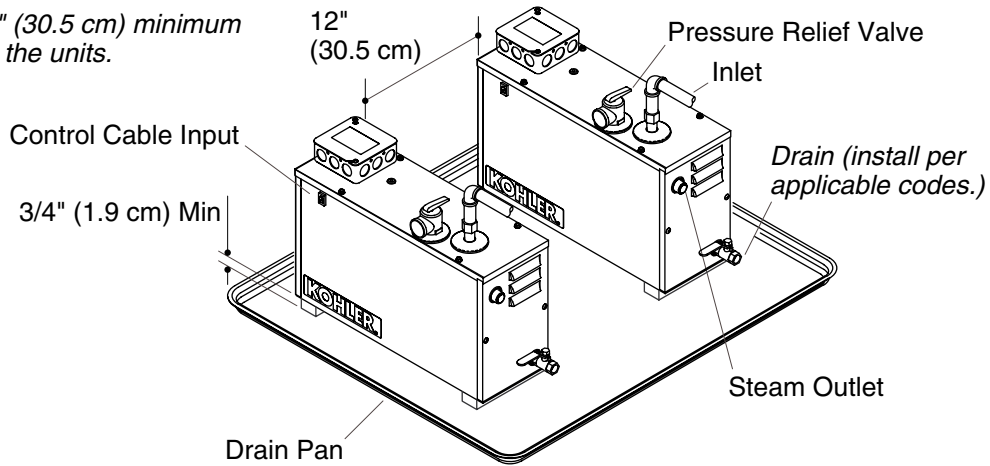
Water Supply	3/8" copper line	3/8" copper line
Water Supply Shut-Off Valve	3/8" NPT female	3/8" NPT female
Steam Line	1/2" copper line (1/2" NPT thread)	1/2" copper line (1/2" NPT thread)
Pressure Relief Valve (supplied)	3/4" NPT female thread	3/4" NPT female thread
Drain Line	3/8" copper line	3/8" copper line
Drain Valve	3/8" NPT female thread	3/8" NPT female thread
Sizing The Steam Room	480 cu ft (14 cu m)	635 cu ft (18 cu m)



DANGER: Risk of electrocution. Disconnect the electricity to the working area at the main breaker panel before performing these installation steps.

- Follow all local electrical codes. All electrical work should be done by a qualified electrician.
- Review the illustration showing specific Steam Generator Installation Requirements for your Steam Generators.
- Install the appropriate electrical supplies.

Maintain a 12" (30.5 cm) minimum space around the units.



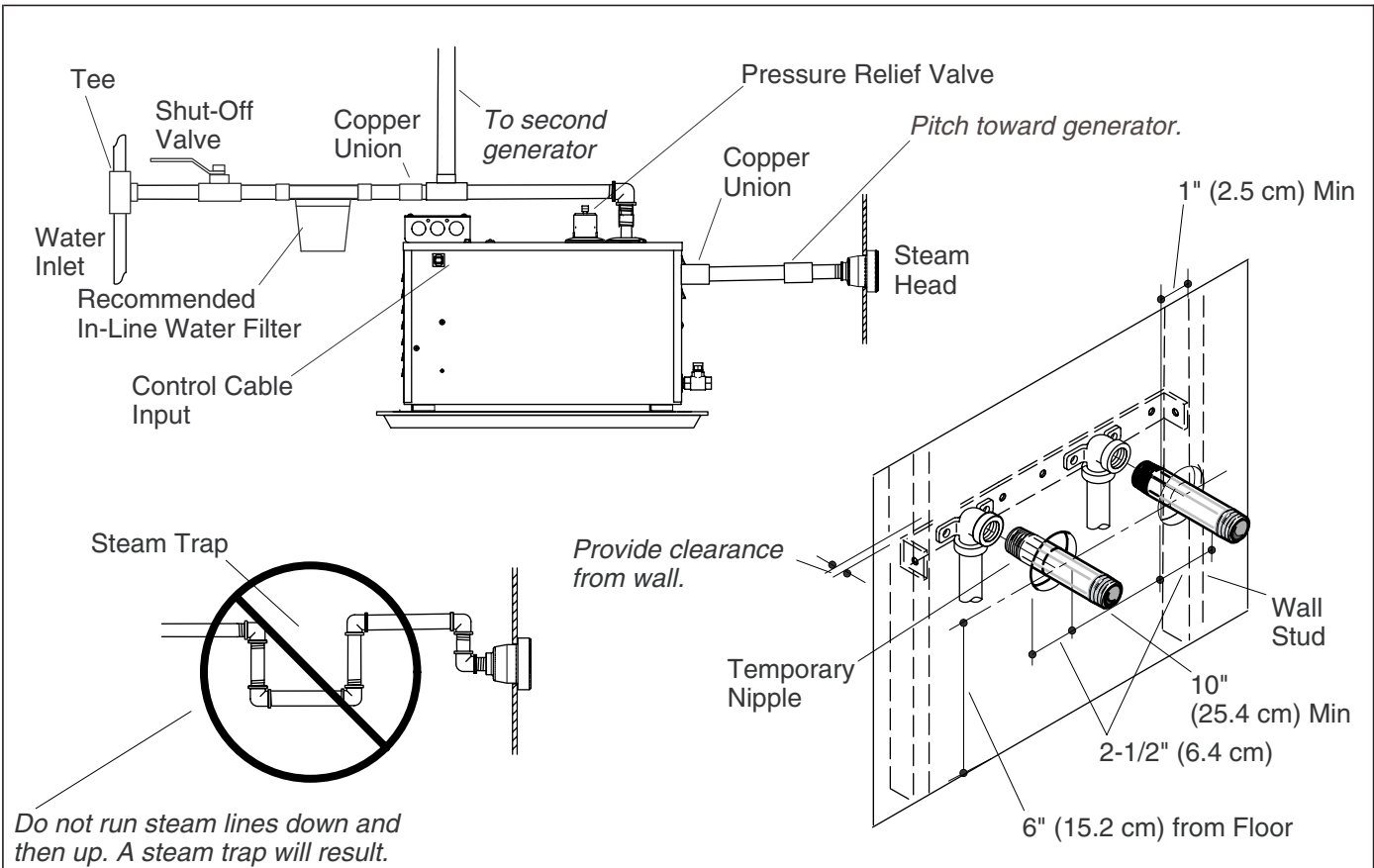
5. Install the Steam Generators



WARNING: Risk of property damage. Allow a minimum of 12" (30.5 cm) of air space around the steam generators at all times. This provides an area for the heat generated by the units to dissipate.

NOTICE: For optimum performance, install the steam generators as close as possible to the steam heads. The steam generators must be installed within 25' (7.62 m) of the steam head.

- Install the desired drain pan at the steam generator location.
- Position the steam generators on the drain pan.



6. Install the Water Supply and Steam Lines



WARNING: Risk of personal injury or property damage. Do not plumb the pressure relief valve into the steam line. Plumbing the pressure relief valve into the steam line can create a hazard if the steam line is blocked or obstructed.



WARNING: Risk of scalding. Do not plumb a trap, shut-off valve, or pressure relief valve into the steam line. Plumbing the pressure relief valve into the steam line can be hazardous, if the steam outlet is capped.



WARNING: Risk of personal injury or property damage. Do not direct the pressure relief valve to the enclosure. In the event the pressure relief valve activates, the hot water may spray causing burns to the user and/or damage the enclosure. Therefore, the pressure relief valve should be directed to an area where damage will not occur from contact with hot water and should conform to national and local plumbing codes.

Install the Water Supply Lines to the Generators

NOTE: For all NPT threaded connections, use pipe tape or pipe sealant. Do not overtighten the fittings.

- Connect to an existing cold water line for each steam generator, and run a 3/8" cold water line to a shut-off valve before the in-line water filter.
- Before final connection to the steam generators, flush out the water feed line into a large pail. This removes any debris, silt, sand, or other material that may be in the line.
- Install 3/8" copper tubing with a union fitting between the in-line water filter and the water inlet to the steam generators.
- Connect the water supply lines to the steam generators.
- Fill each steam generator with water and check for leaks.

Install the Water Supply and Steam Lines (cont.)

NOTICE: Steam generators are equipped with an automatic shut-off. The water will stop after the unit is full. If the water flows out of the steam outlet, shut off the water and consult the "Troubleshooting Guide" or contact the Customer Care Center using the number located on the back of this document.

- If the water supply lines exceed 10' (3 m) or are exposed to cold areas, insulate the piping with appropriate insulation.

Install the Steam Lines



WARNING: Risk of scalding. Do not locate the steam heads near a seat or bench or scalding may occur upon contact with the steam head.

NOTICE: Never run the steam lines down, then up. Running the steam lines down and then up will create a steam trap, blocking the flow of steam. Each steam line should run up to the steam head from the generator, at a pitch of 3/8" (1 cm) to 1/2" (1.3 cm) per 12" (30.5 cm) of pipe.

NOTICE: Provide clearance between the back wall and the elbows leading into the steam housing. The elbows must not contact any wall material.

NOTICE: Provide clearance between the steam lines and surrounding surfaces.

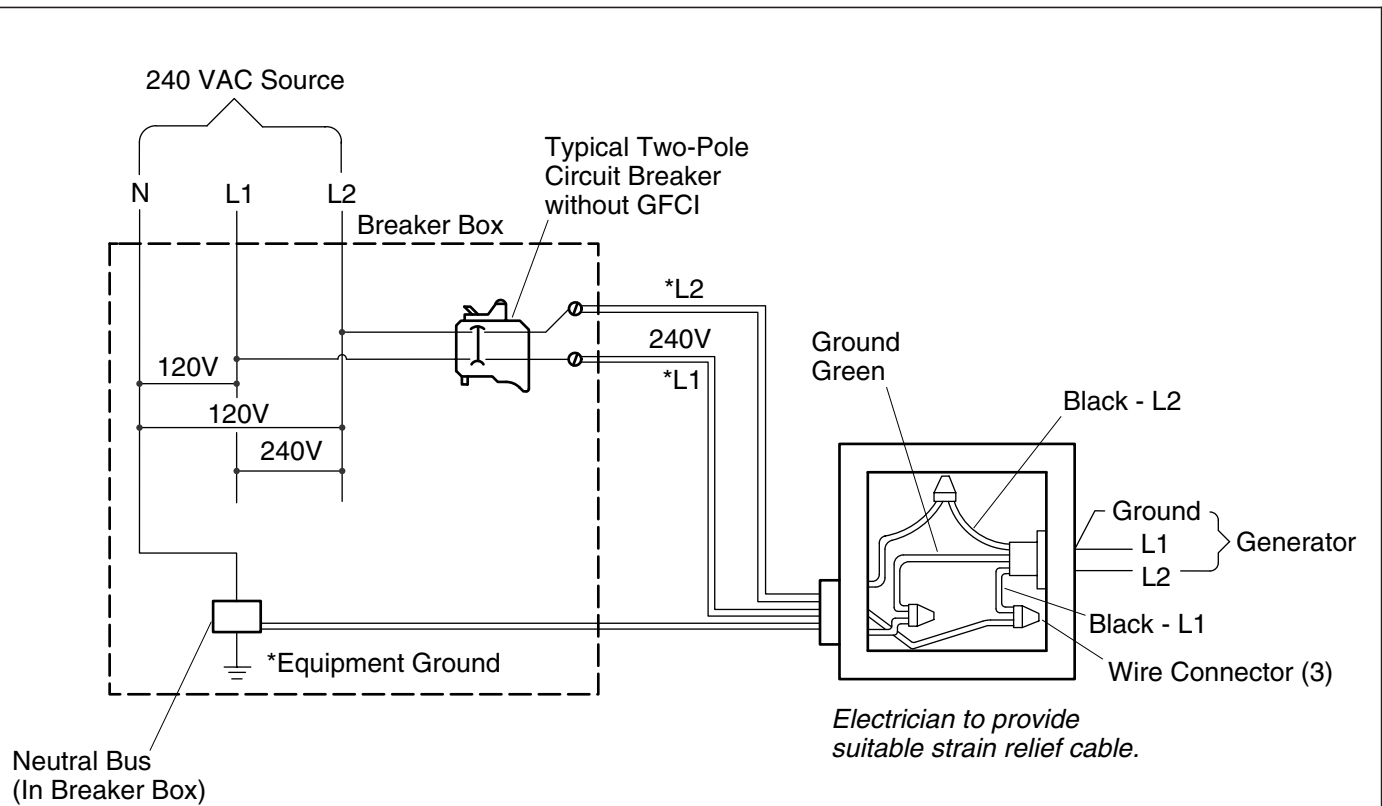
NOTICE: Do not apply excessive heat to the connections when soldering. Do not apply flux or acids directly to the generators, as damage to the seals, plastic components, and trim finish may result. Do not apply petroleum-based lubricants to generator components, as damage may result.

NOTE: For all the threaded connections, use thread sealant tape or pipe sealant. Do not overtighten the fittings.

NOTE: Use 1/2" copper tube for the steam lines.

NOTE: Always install a union fitting as close to the steam generators as possible.

- Add blocking behind the desired steam head locations.
- Install and secure a 1/2" NPT elbow to the blocking directly behind each of the desired steam head locations.
- Cut a hole through the wall material to accept a temporary nipple for each steam head.
- Add temporary 1/2" copper tube nipples.



7. Connect the Electrical Supplies



DANGER: Risk of electrocution. Disconnect all power before performing these installation steps.

NOTICE: All electrical work should be done by a qualified electrician.

NOTICE: All electrical wiring must be done in accordance with local codes.

NOTICE: Each steam generator requires a dedicated circuit.

Connect the Power

- Turn off all electricity to the working area at the main circuit breaker panel.
- Connect 240 VAC electrical line to the wires labeled "L1", "L2", and the green (ground) wire coming out of the steam generator field service box located on top of the steam generator.
- Confirm the ground connection has been made in the field service box.
- Close the field service box.
- Turn on the main power.
- The function light should display a green light. If the function light is not green, consult the "Troubleshooting Guide" or contact the Customer Care Center using the number located on the back of this document.

8. Complete the Installation

- Install the steam housings and steam heads following the instructions packed with the Steam Control Kit.
- Install the steam control following the instructions packed with the Steam Control Kit.

Complete the Installation (cont.)

- To operate the steam control, follow the operation instructions provided with the Steam Control Kit.

Warranty

KOHLER Steam Generator THREE-YEAR LIMITED WARRANTY

Kohler steam generator units manufactured after September 15, 2001, are warranted to the original consumer purchaser to be free of manufacturing defects in material and workmanship during normal residential usage for three (3) years from the date of installation. This warranty only applies to KOHLER steam generator units installed in the United States of America, Canada or Mexico ("North America").

If a defect is found in normal residential usage, Kohler Co. will, at its election, repair or replace the unit, or make appropriate adjustment. Damage caused by accident, misuse or abuse is not covered by this warranty. Proof of purchase (original sales receipt) must be provided to Kohler Co. with all warranty claims. Kohler Co. is not responsible for labor charges, removal charges, installation, or other consequential costs. In no event shall the liability of Kohler Co. exceed the purchase price of the unit.

If this unit is used commercially or installed outside of North America, Kohler Co. warrants the unit to be free from defects in material and workmanship for one (1) year from the date of installation with all other terms of this warranty applying except duration.

To obtain warranty service contact Kohler Co., either through your Dealer, Plumbing Contractor, Home Center or E-tailer or by writing Kohler Co., Attn: Customer Care Center, 444 Highland Drive, Kohler, WI 53044, USA, or by calling 1-800-4-KOHLER (1-800-456-4537) from within the USA and Canada, and 001-800-456-4537 from within Mexico, or visit www.kohler.com within the USA, www.ca.kohler.com from within Canada, or www.mx.kohler.com in Mexico.

KOHLER CO. AND/OR SELLER ARE PROVIDING THESE WARRANTIES IN LIEU OF ALL OTHER WARRANTIES, EXPRESSED OR IMPLIED, INCLUDING BUT NOT LIMITED TO THE IMPLIED WARRANTIES OF MERCHANTABILITY AND FITNESS FOR A PARTICULAR PURPOSE. KOHLER CO. AND/OR SELLER DISCLAIM ANY LIABILITY FOR SPECIAL, INCIDENTAL OR CONSEQUENTIAL DAMAGES. Some states/provinces do not allow limitations on how long an implied warranty lasts, or the exclusion or limitation of special, incidental or consequential damages, so these limitations and exclusions may not apply to you. This warranty gives you specific legal rights. You may also have other rights, which vary from state/providence to state/providence.

This is Kohler Co.'s exclusive written warranty.

Troubleshooting Guide



CAUTION: Troubleshooting steps involving internal wires or electrical components should be performed by a qualified electrician.

NOTE: This troubleshooting only applies to the steam generator. For issues involving the steam control, consult the troubleshooting guide provided with the Steam Control Kit documentation.

The troubleshooting guide is for general aid only. For service and installation issues and concerns, contact the Customer Care Center using the information on the back of this guide.

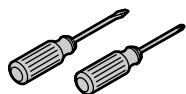
Troubleshooting Guide (cont.)

Symptoms	Probable Causes	Recommended Action
<p>1. The green LED light is not on.</p>	<p>A. No electrical power at generator.</p>	<p>A1. Reset the power at the breaker. A2. Have a qualified electrician verify that 240 V of power is present at the generator.</p>
	<p>B. Circuit breaker is in the "Off" position.</p>	<p>B. Turn on the power at the breaker.</p>
	<p>C. Circuit breaker is not the correct size.</p>	<p>C. Verify the circuit breaker is sized appropriately. If it is the wrong size, replace it.</p>
	<p>D. Electrical connection in the field service box on the generator is loose.</p>	<p>D. Turn off all electrical power to the generator. Have a qualified electrician open the field service box and check all connections. Have a qualified electrician repair any poor connections.</p>
<p>2. There is a continuous flow of water from the steam head. Water flow during the power clean cycle is normal.</p>	<p>A. Components internal to the generator are not functioning properly.</p>	<p>A1. Shut off the water supply and drain the water from the generator. Close the drain valve.</p>
		<p>A2. Partially open the supply shut-off valve a small amount.</p>
		<p>A3. Allow the water to gradually fill the tank inside the generator (may take several minutes). If the water continues to flow from the steam head, A1.</p>
		<p>A4. Fully open the water supply shut-off valve.</p>
		<p>A5. On models with power clean option only, if water continues to flow from the steam head, run the power clean cycle.</p>
		<p>A6. If water continues to flow from the steam head, contact the Customer Care Center using the information on the back of this guide.</p>
	<p>B. The water supply is incorrectly connected to the generator.</p>	<p>B. Review the installation guide and if necessary reconnect the water supply to the proper location.</p>

Guide d'installation

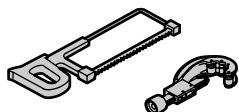
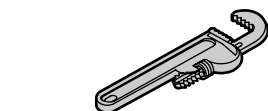
Générateur de vapeur

Outils et matériels



Plus:

- Plateau de dégivrage
- Tube en cuivre de 1/2"
- Raccords en cuivre assortis; Union en cuivre NPT 3/8", 1/2" & 3/4"
- Coupe-câble et outil à dénuder
- Outils conventionnels de menuiserie et matériels
- Coudes de 45 et 90 degrés
- Blocs de support (résistante à la chaleur)



Scie à métaux ou coupe tube



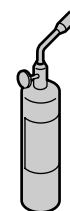
Percer un orifice avec mèche de 1-1/4" & 2-1/2"



Ruban d'étanchéité



Soudure



Chalumeau à propane

Avant de commencer

IMPORTANT! Des précautions de base devraient toujours être observées lors de l'utilisation de cette unité.



DANGER: Risque d'électrocution. Débrancher au disjoncteur principal avant de procéder à ces étapes d'installation.



AVERTISSEMENT: Risque de blessures corporelles. Si vous vous sentez mal à l'aise lors du bain, éteindre l'unité. Se rafraîchir avec la douche, ouvrir la porte, ou sortir de l'unité.



AVERTISSEMENT: Risque d'allergie. Avant d'ajouter des huiles, thérapies aromatiques, ou produits de soin de la peau à l'aromathérapie, s'assurer que ces produits n'entraînent aucune réaction allergique à l'utilisateur.



AVERTISSEMENT: Risque de blessures corporelles. Ce bain de vapeur n'est pas conseillé aux femmes enceintes, aux personnes souffrant de maladies cardiaques, d'hypertension, de problèmes de circulation, ou sous l'emprise d'alcool, de drogues ou sous traitement médical. Le bain de vapeur peut infliger de la fatigue au corps, de même façon que tout bain chaud, douche, ou sauna.



AVERTISSEMENT: Risque de blessures corporelles. NE PAS consommer de boissons alcoolisées ou de médicaments/drogues avant ou pendant l'utilisation du bain de vapeur. L'alcool et les drogues peuvent affecter les facultés mentales et inhiber certaines fonctions corporelles telles que le battement de coeur et la respiration, entraînant des effets potentiellement dangereux.



AVERTISSEMENT: Risque de blessure aux enfants. Ne pas permettre aux enfants d'utiliser l'unité sans surveillance à tout moment. Le générateur de vapeur n'est pas conçu pour les enfants.



AVERTISSEMENT: Risque de blessures corporelles. Ne pas niveler un siphon ou une valve de décharge avec la ligne de vapeur. L'installation d'une soupape de décharge à cet endroit peut créer un danger si la sortie de vapeur est bouchée.

Avant de commencer (cont.)

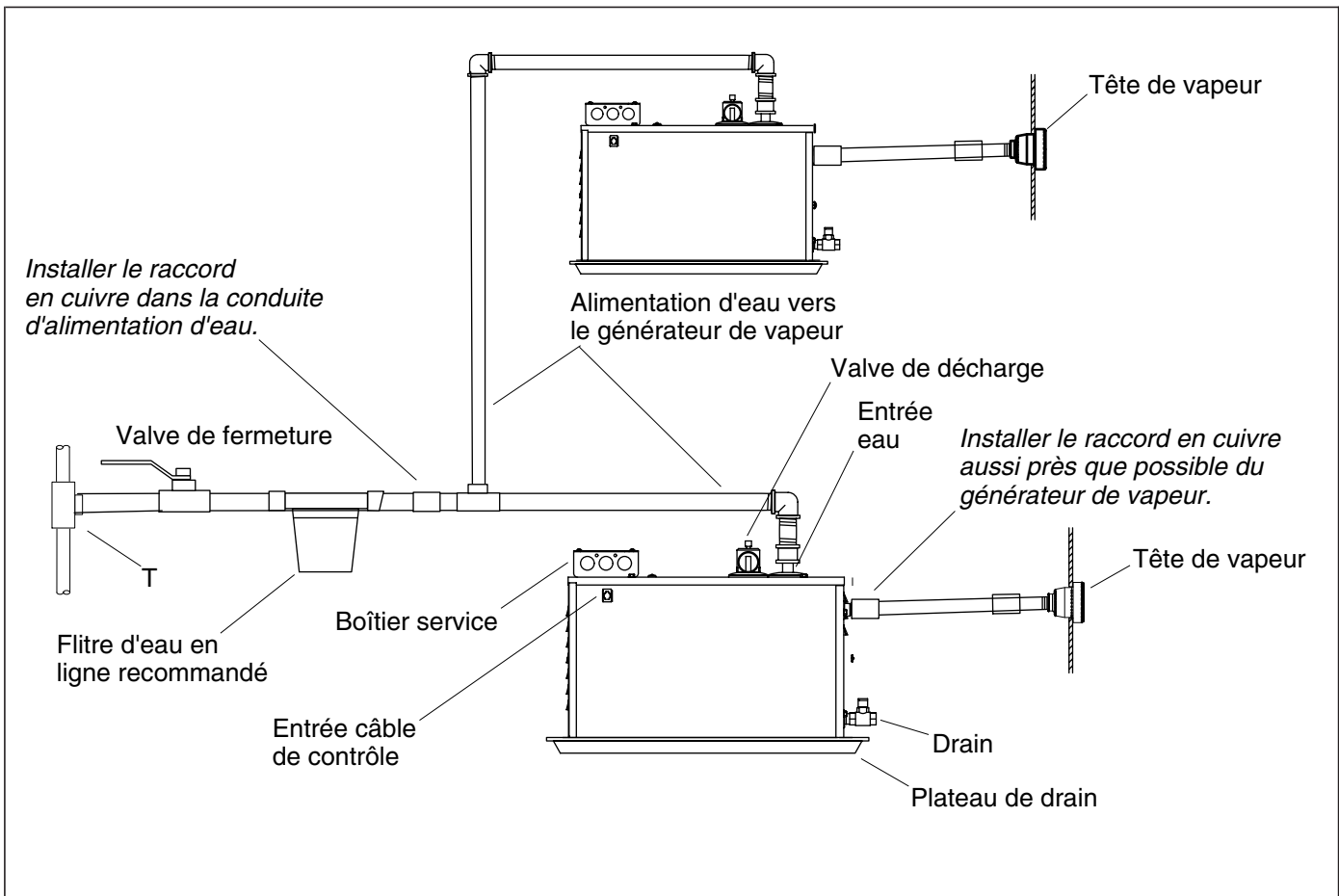


AVERTISSEMENT: Risque de blessures ou d'endommagement du produit. Éviter de toucher le réservoir d'eau et/ou le tuyau d'évacuation de vapeur pendant l'opération du générateur ou juste après son arrêt. Utiliser des lunettes et des vêtements de protection pendant l'entretien du générateur de vapeur. Le générateur de vapeur fonctionne à hautes températures.

AVIS: N'utiliser cette unité que pour l'usage destiné tel qu'indiqué dans ce manuel. **NE PAS** utiliser des dispositifs de fixation non recommandés par la Kohler Co.

AVIS: Ne pas appliquer de chaleur excessive sur les raccords de générateur pendant le soudage des connexions. Ne pas mettre de décapant ou d'acide directement sur le générateur, pour éviter d'endommager les joints, composants en plastique ou pièces internes. Ne pas appliquer de lubrifiants à base de pétrole sur les composants du générateur, au risque de l'endommager.

- Respecter tous les codes de plomberie et électriques locaux. Tout le travail électrique doit être réalisé par un électricien qualifié.
- Débrancher avant d'effectuer toute connexion électrique.
- Kohler Co. se réserve le droit d'apporter toutes modifications sur le design des produits et ceci sans préavis, tel que spécifié dans le catalogue des prix.



1. Déterminer la disposition



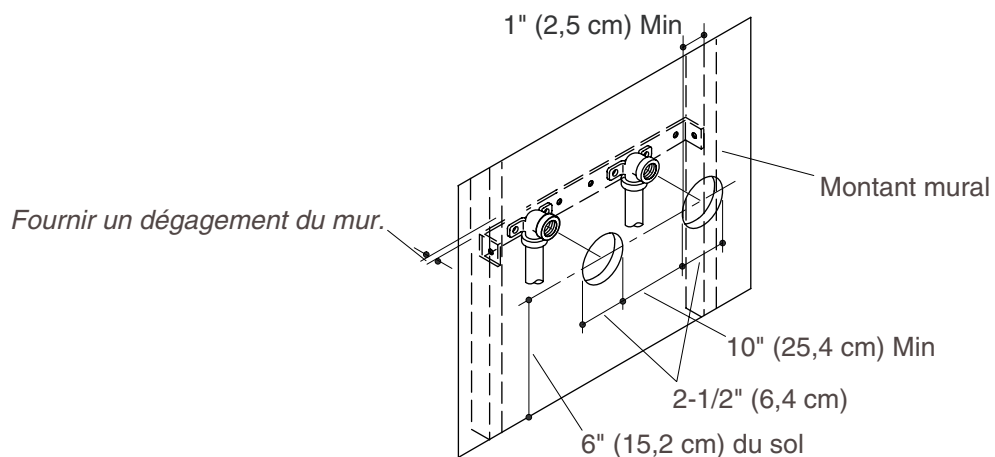
AVERTISSEMENT: Risque d'endommagement du matériel. Laisser un minimum de 12" (30,5 cm) de dégagement d'air entre et autour de tous les côtés des générateurs de vapeur à tout moment. Ceci fournit un espace pour que la chaleur générée par les unités se dissipe.

AVIS: Les générateurs de vapeur fonctionneront mieux lorsqu'ils sont installés le plus proche que possible des têtes de vapeur. Les deux unités devraient être installées à une distance de 25' (7,62 m) par rapport aux têtes de vapeur.

AVIS: Pour une performance optimale, installer les générateurs de vapeur au-dessous du niveau des têtes de vapeur.

REMARQUE: Lorsque possible, utiliser des coudes de 45 degrés. La performance sera meilleure lorsque des coudes de 45 degrés sont utilisés.

- Déterminer l'emplacement des générateurs de vapeur. Permettre un passage d'air de 12" (30,5 cm) sur tous les côtés du (des) générateur(s), et de 12" (30,5 cm) entre eux-ci. Laisser de l'espace pour le placement d'un plateau de drain.
- Choisir un plateau de drain approprié pour l'installation en question. Le plateau de dégivrage n'est pas inclus.



2. Déterminer l'emplacement du matériel pour la vapeur



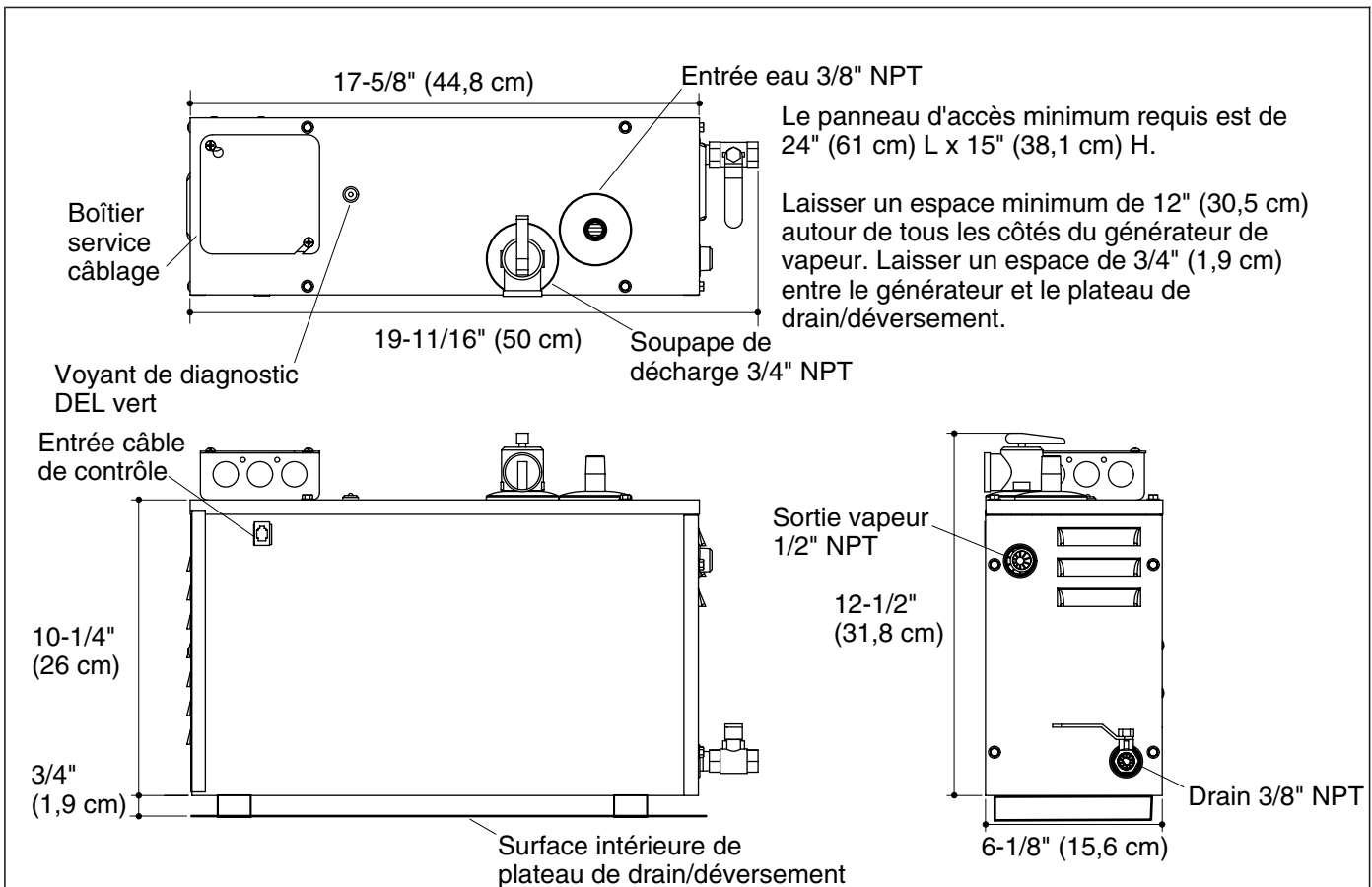
AVERTISSEMENT: Risque de brûlures. Ne pas bloquer la tête de vapeur ou localiser près d'un siège ou banc, car elle est chaude durant l'opération et pourrait brûler l'utilisateur.

Pour des applications douche personnalisée

REMARQUE: Toutes les dimensions doivent être prises à partir de l'intérieur de la douche.

IMPORTANT! Ne pas installer la commande de vapeur directement au-dessus des têtes de vapeur ou en ligne avec celles-ci.

- Il est recommandé de placer les têtes de vapeur et la commande de vapeur sur le même mur que celui portant les commandes de plomberie.
- Placer les têtes de vapeur à 6" (15,2 cm) au-dessus du sol de la douche et à un minimum de 4-1/2" (11,4 cm) du seuil.
- Placer la commande de vapeur à 60" (152,4 cm) au-dessus du sol de la douche, mais pas directement en ligne avec les têtes de vapeur. Se reporter aux instructions d'installation du kit de commande de vapeur pour obtenir des informations sur les dimensions et l'installation.
- S'assurer qu'il y a un dégagement adéquat entre les conduits de vapeur et les surfaces alentour.



3. Déterminer l'emplacement des générateurs de vapeur

IMPORTANT! Le panneau d'accès minimum requis est de 24" (61 cm) L x 15" (38,1 cm) H. Laisser un espace minimum de 12" (30,5 cm) autour de tous les côtés des générateurs de vapeur.

- S'assurer qu'un dégagement est présent entre les conduits de vapeur et les surfaces alentour.
- Laisser un espace d'accès aux générateurs après l'installation.
- Permettre un passage d'air de 12" (30,5 cm) sur tous les côtés des générateurs.
- Laisser de l'espace pour le placement d'un plateau de drain.
- Pour une performance optimale, installer les générateurs de vapeur au-dessous du niveau des têtes de vapeur et aussi proche de ces dernières que possible. Les générateurs de vapeur doivent être installés dans les 25 pieds (7,62 m) des têtes de vapeur dans un endroit sec et bien ventilé. Elles devraient être installées à 12" (30,5 cm) les unes des autres.

4. Installer les alimentations électriques

Modèle	K-1714-NA	K-1715-NA
Information pour commander		
Calibrage du générateur de vapeur	18 kW (2-9 kW)	22 kW (2-11 kW)
Branchement électrique requis		
Disjoncteur dédié #1	240 V, 60 A, 50/60 Hz	240 V, 60 A, 50/60 Hz
Disjoncteur no. 2 dédié	240 V, 60 A, 50/60 Hz	240 V, 60 A, 50/60 Hz
Information sur le produit		
Poids	42 lb (19 kg), 21 lb (9,5 kg) chaque	
Taille	18" (45,7 cm) Longueur x 24" (61 cm) x 13" (33 cm)	

Installer les alimentations électriques (cont.)

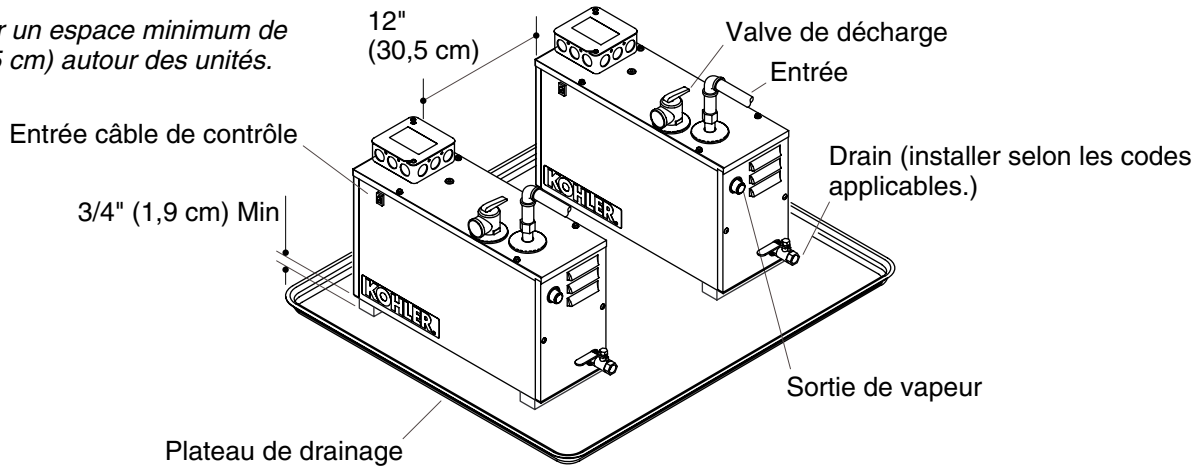
Caractéristiques électriques	240 V, 45 A, 50/60 Hz	240 V, 46 A, 50/60 Hz
Alimentation d'eau	Ligne en cuivre de 3/8"	Ligne en cuivre de 3/8"
Valve d'arrêt d'alimentation en eau	3/8" NPT femelle	3/8" NPT femelle
Conduite de vapeur	Tuyau de 1/2" en cuivre (filetage de 1/2" NPT)	Tuyau de 1/2" en cuivre (filetage de 1/2" NPT)
Valve de décharge (fournie)	Filetage femelle de 3/4" NPT	Filetage femelle de 3/4" NPT
Conduit de drain	Ligne en cuivre de 3/8"	Ligne en cuivre de 3/8"
Valve de drain	Filetage femelle de 3/8" NPT	Filetage femelle de 3/8" NPT
Évaluer la taille du bain à vapeur	480 pi cubes (14 m cubes)	635 pi cubes (18 m cubes)



DANGER: Risque d'électrocution. Débrancher au disjoncteur principal avant de procéder à ces étapes d'installation.

- Suivre tous les codes électriques locaux. Tout le travail électrique doit être réalisé par un électricien qualifié.
- Examiner l'illustration indiquant les exigences d'installation spécifiques relatives aux générateurs de vapeur pour vos générateurs de vapeur.
- Installer les alimentations électriques appropriées.

Maintenir un espace minimum de 12" (30,5 cm) autour des unités.



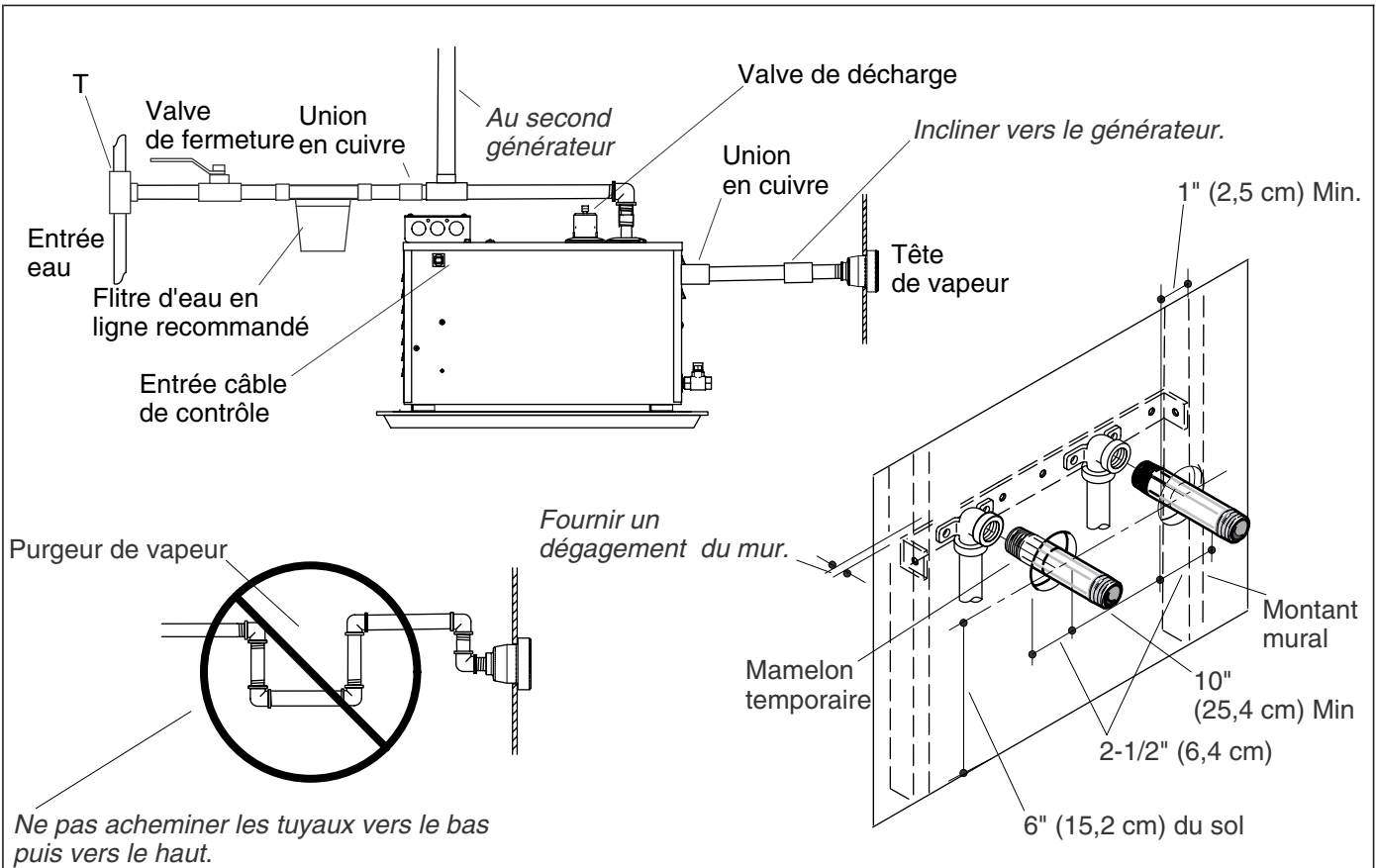
5. Installer les générateurs de vapeur



AVERTISSEMENT: Risque d'endommagement du matériel. Laisser un minimum de 12" (30,5 cm) de dégagement d'air autour des générateurs de vapeur en tout temps. Ceci fournit un espace pour que la chaleur générée par le unités se dissipe.

AVIS: Pour obtenir une performance optimale, installer les générateurs de vapeur aussi près que possible des têtes de vapeur. Les générateurs de vapeur doivent être installés à une distance maximale de 25' (7,62 m) par rapport à la tête de vapeur.

- Installer le plateau de drain souhaité à l'emplacement du générateur de vapeur.
- Positionner les générateurs de vapeur sur le plateau de drain.



6. Installer les alimentations en eau et les conduits de vapeur



AVERTISSEMENT: Risque de blessures ou d'endommagement du produit. Ne pas plomber la valve de décharge dans la conduite de vapeur. Plomber la valve de décharge dans la conduite de vapeur peut être dangereux si la conduite de vapeur est bouchée ou obstruée.



AVERTISSEMENT: Risque de brûlures. Ne pas plomber un siphon, une valve d'arrêt ou une valve de décharge à la conduite de vapeur. L'installation d'une soupape de décharge à cet endroit peut créer un danger si la sortie de vapeur est bouchée.



AVERTISSEMENT: Risque de blessures ou d'endommagement du produit. Ne pas diriger la valve de décharge vers l'enceinte. Au cas où la valve de décharge s'active, l'eau chaude pourrait éclabousser et causer des brûlures à l'utilisateur et/ou endommager la cabine. Ainsi, la valve de décharge devrait être dirigée vers un endroit où un dommage ne pourrait pas avoir lieu lors du contact avec de l'eau chaude et devrait aussi être conforme aux codes nationaux et locaux de plomberie.

Installer les conduits d'alimentation en eau sur les générateurs

REMARQUE: Pour toutes les connexions filetées NPT, utiliser du ruban ou du mastic d'étanchéité pour tuyaux. Ne pas trop serrer les raccords.

- Connecter sur un conduit d'eau froide existant pour chaque générateur et acheminer un conduit d'eau froide de 3/8" sur une valve d'arrêt avant le filtre d'eau intégré.
- Avant la connexion finale aux générateurs de vapeur, vidanger le conduit d'alimentation en eau dans une grande seau. Ceci élimine tous les débris, tout le limon, tout le sable et tout autre matériau qui pourrait se trouver dans le conduit.
- Installer une tubulure en cuivre de 3/8" avec un raccord-union entre le filtre d'eau intégré et l'entrée d'eau vers les générateurs de vapeur.

Installer les alimentations en eau et les conduits de vapeur (cont.)

- Connecter les conduits d'alimentation en eau aux générateurs de vapeur.
- Remplir chaque générateur de vapeur avec de l'eau et rechercher des fuites.

AVIS: Les générateurs de vapeur sont munis d'un arrêt automatique. L'eau s'arrêtera lorsque l'unité est remplie. Si de l'eau s'écoule de la sortie de vapeur, couper l'eau et appeler le service d'assistance à la clientèle en utilisant le numéro situé sur la page arrière de ce guide.

- Si le tuyau d'alimentation en eau dépasse 10' (3 m) ou s'il est exposée à des emplacements froids, isoler la tuyauterie avec une isolation appropriée.

Installer les conduits de vapeur



AVERTISSEMENT: Risque de brûlures. Ne pas placer les têtes de vapeur près d'un siège ou d'un banc, étant donné que des brûlures pourraient se produire suite à un contact avec la tête de vapeur.

AVIS: Ne jamais faire passer les conduites de vapeur vers le bas puis le haut. Cela provoquera l'obstruction de la vapeur, bloquant le débit de vapeur. Chaque conduit de vapeur doit être acheminé vers la tête de vapeur à partir du générateur, à une inclinaison comprise entre 3/8" (1 cm) et 1/2" (1,3 cm) par 12" (30,5 cm) de tuyau.

AVIS: Fournir un dégagement entre le mur arrière et les coudes allant dans le logement de la vapeur. Les coudes ne doivent pas entrer en contact avec du matériau mural.

AVIS: Fournir un dégagement entre les conduits de vapeur et les surfaces alentour.

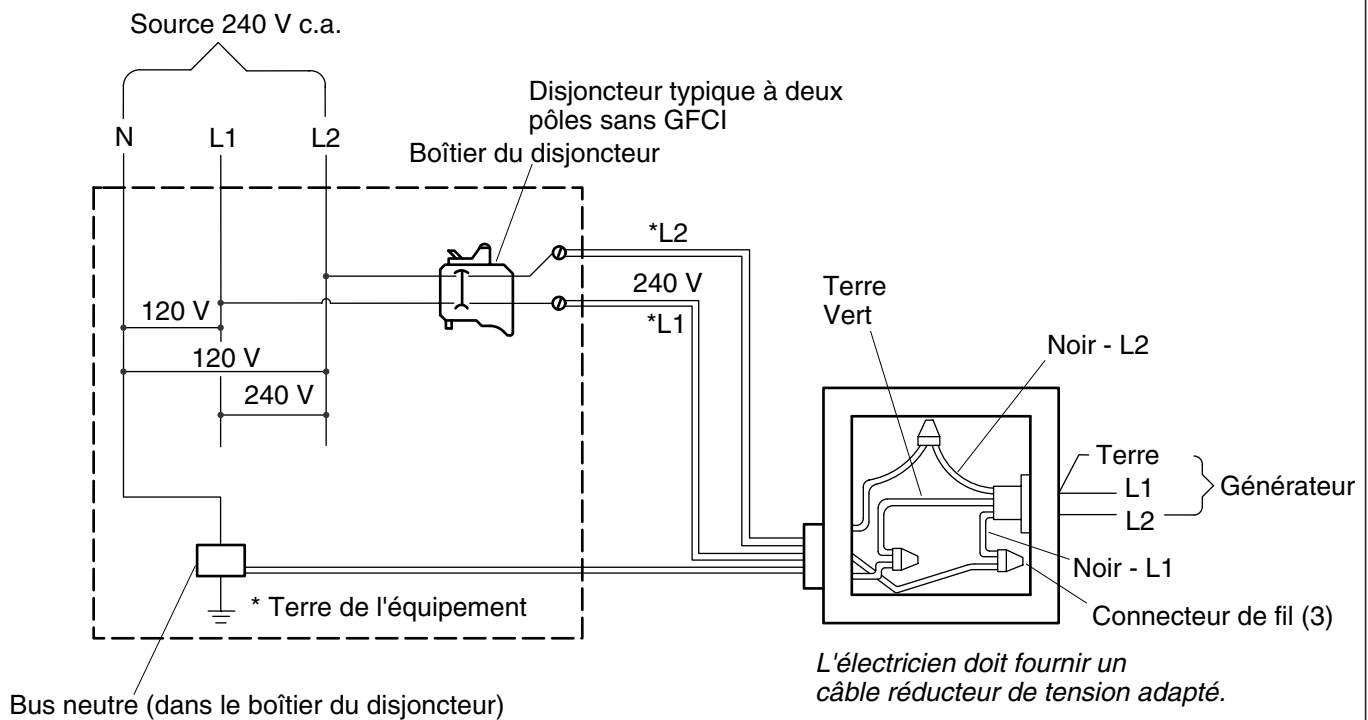
AVIS: Ne pas appliquer de chaleur excessive aux connexions lors du soudage. Ne pas mettre de flux décapants ou d'acides directement sur les générateurs, afin d'éviter d'endommager les joints, les composants en plastique et la finition des garnitures. Ne pas appliquer de lubrifiants à base de pétrole sur les composants du générateur, étant donné que ceci pourrait créer des dommages.

REMARQUE: Pour toutes les connexions filetées, utiliser du ruban ou du mastic d'étanchéité pour tuyaux. Ne pas trop serrer les raccords.

REMARQUE: Utiliser un tube en cuivre de 1/2" pour les conduits de vapeur.

REMARQUE: Toujours installer un raccord-union aussi près des générateurs de vapeur que possible.

- Ajouter un blocage à l'arrière des emplacements souhaités pour les têtes de vapeur.
- Installer et fixer un coude NPT de 1/2" sur le blocage, directement à l'arrière de chacun des emplacements de têtes de vapeur souhaités.
- Découper un trou à travers le matériau mural pour accepter un mamelon temporaire pour chaque tête de vapeur.
- Ajouter des mamelons de tubes en cuivre temporaires de 1/2".



7. Connecter les alimentations électriques



DANGER: Risque d'électrocution. Débrancher avant de réaliser ces étapes d'installation.

AVIS: Tout le travail électrique doit être réalisé par un électricien qualifié.

AVIS: Tout le câblage électrique doit être conforme aux codes locaux.

AVIS: Chaque générateur de vapeur exige un circuit dédié.

Connecter l'alimentation

- Couper toute l'électricité vers l'emplacement de travail au niveau du panneau du disjoncteur principal.
- Connecter un conduit électrique de 240 V c.a. aux fils étiquetés "L1", "L2", ainsi qu'au fil vert (terre) sortant du boîtier de service du générateur de vapeur situé sur le dessus du générateur de vapeur.
- Confirmer que la connexion à la terre a été effectuée dans le boîtier de service.
- Fermer le boîtier de service.
- Mettre l'alimentation principale en marche.
- Le voyant de fonction doit s'afficher en vert. Si le voyant de fonction n'est pas vert, consulter le "Guide de dépannage" ou contacter le service d'assistance à la clientèle en utilisant le numéro situé à l'arrière de ce document.

8. Terminer l'installation

- Installer les boîtiers de vapeur et les têtes de vapeur en suivant les instructions accompagnant le kit de commande de vapeur.
- Installer la commande de vapeur en suivant les instructions accompagnant le kit de commande de vapeur.
- Pour faire fonctionner la commande de vapeur, suivre les instructions fournies avec la commande d'interface utilisateur.

Garantie

Générateur de vapeur KOHLER GARANTIE LIMITÉE DE TROIS ANS

Les unités de générateur de vapeur Kohler fabriqués après le 15 Septembre 2001, sont garantis au consommateur acquéreur original être sans défaut de matériel et de fabrication durant une utilisation résidentielle normale pendant trois (3) ans à partir de la date d'installation. Cette garantie s'applique uniquement aux générateurs de vapeur KOHLER installés aux États-Unis, au Canada ou au Mexique ("Amérique du Nord").

Si un défaut est décelé en cours d'usage normal domestique, Kohler Co. décidera, à son choix, de réparer ou de remplacer l'unité ou d'effectuer les réglages appropriés. Un endommagement causé par un accident, mauvais usage ou mauvais traitement n'est pas couvert par cette garantie. Une preuve d'achat (ticket de caisse original) doit être présentée à Kohler Co. avec tous les recours en garantie. Kohler Co. n'est pas responsable des coûts de main-d'oeuvre, de démontage, d'installation ou d'autres frais qui en découlent. La responsabilité de Kohler Co. n'excédera en aucun cas le prix d'achat de l'unité.

Si cette unité est utilisée dans un commerce ou si elle est installée hors d'Amérique du Nord, Kohler Co. garantit l'unité contre tout défaut de matériel et de fabrication pour un (1) an à partir de la date d'installation, en plus de respecter tous les autres termes de cette garantie, excepté la durée.

Pour obtenir un service-garantie, contacter Kohler Co. par l'intermédiaire de votre vendeur, plombier, centre de rénovation, revendeur par Internet ou par écrit à Kohler Co. à l'attention de: Customer Care Center, 444 Highland Drive, Kohler, WI 53044, États-Unis, ou appeler le 1-800-4-KOHLER (1-800-456-4537) des États-Unis et du Canada, et le 001-800-456-4537 du Mexique, ou consulter le site www.kohler.com aux États-Unis, www.ca.kohler.com au Canada ou www.mx.kohler.com au Mexique.

KOHLER CO. ET/OU LE REVENDEUR FOURNISSENT CES GARANTIES AU LIEU DE TOUTES AUTRES GARANTIES, EXPRESSES OU TACITES, Y COMPRIS LES GARANTIES IMPLICITES MARCHANDES ET D'APTITUDE À UN EMPLOI PARTICULIER. KOHLER CO. ET/OU LE REVENDEUR DÉCLINENT TOUTE RESPONSABILITÉ CONTRE LES DOMMAGES PARTICULIERS, IMPRÉVUS OU DE CIRCONSTANCE. Certains états/provinces ne permettent pas la limitation sur la durée de la garantie implicite, ou l'exclusion ou la limitation de dommages spéciaux, accessoires ou indirects, et, par conséquent, ces limitations et exclusions pourraient ne pas s'appliquer dans votre cas. Cette garantie vous donne des droits légaux spécifiques. Vous pouvez également avoir d'autres droits qui varient d'un état/d'une province à l'autre.

Ceci constitue la garantie écrite exclusive de Kohler Co.

Guide de dépannage



ATTENTION: Les procédures de dépannage impliquant des fils internes ou des composants électriques doivent être effectuées par un électricien qualifié.

REMARQUE: Ce dépannage est seulement applicable au générateur de chaleur. Pour les problèmes relatifs à la commande de vapeur, consulter le guide de dépannage fourni avec la documentation du kit de commande de vapeur.

Le guide de dépannage est seulement destiné à une aide générale. Pour les problèmes d'entretien et d'installation, contacter le service d'assistance à la clientèle en utilisant l'information fournie à l'arrière de ce guide.

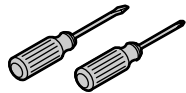
Guide de dépannage (cont.)

Symptômes	Causes probables	Action recommandée
1. Le voyant DEL vert n'est pas allumé.	A. Aucune alimentation électrique au niveau du générateur.	A1. Réinitialiser le courant au disjoncteur. A2. Demander à un électricien qualifié de vérifier qu'une alimentation de 240 V est présente au niveau du générateur.
	B. Le disjoncteur est d'arrêt.	B. Mettre l'alimentation en marche au niveau du disjoncteur.
	C. La taille du disjoncteur est incorrecte.	C. Vérifier que la taille du disjoncteur est appropriée. Si la taille est incorrecte, le remplacer.
	D. La connexion électrique dans le boîtier de service sur le générateur est desserrée.	D. Couper tout le courant électrique vers le générateur. Demander à un électricien qualifié d'ouvrir le boîtier de service et de vérifier toutes les connexions. Demander à un électricien qualifié de réparer toutes les mauvaises connexions.
2. Il y a un débit continu d'eau depuis la tête de vapeur. Le débit d'eau durant le cycle de nettoyage pression normal.	A. Les composants internes vers le générateur ne fonctionnent pas correctement.	A1. Couper l'alimentation en eau et vidanger l'eau du générateur. Fermer la valve de drain.
		A2. Ouvrir partiellement la valve d'arrêt d'alimentation, d'une petite quantité.
		A3. Laisser l'eau remplir le réservoir graduellement à l'intérieur du générateur (ceci peut prendre plusieurs minutes). Si l'eau continue à s'écouler à partir de la tête de vapeur, A1.
		A4. Ouvrir complètement la valve d'arrêt d'alimentation.
		A5. Sur les modèles avec l'option de nettoyage pression seulement , si l'eau continue à s'écouler à partir de la tête de vapeur, faire fonctionner le cycle de nettoyage pression.
	A6. Si l'eau continue à s'écouler de la tête de vapeur, contacter le service d'assistance à la clientèle en utilisant l'information fournie à l'arrière de ce guide.	
B. L'alimentation en eau est connectée incorrectement au générateur de vapeur.	B. Examiner le guide d'installation et, au besoin, reconnecter l'alimentation en eau à l'emplacement approprié.	

Guía de instalación

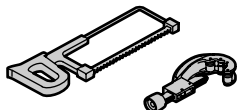
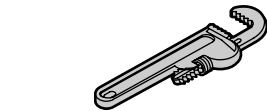
Generador de vapor

Herramientas y materiales



Más:

- Bandeja de goteo
- Tubería de cobre de 1/2"
- Varias conexiones de cobre; uniones NPT de cobre de 3/8", 1/2" y 3/4"
- Cortacables o desforrador de alambre
- Herramientas y materiales convencionales de carpintería
- Codos de 45 y 90 grados
- Bloques de soporte (resistentes al calor)



Sierra para metales o cortatubos



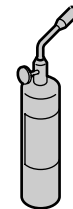
Taladro con broca para orificios de 1-1/4" y 2-1/2"



Cinta selladora



Suelda



Soplete de propano

Antes de comenzar

¡**IMPORTANTE!** Al usar esta unidad, siempre siga las precauciones básicas.



PELIGRO: Riesgo de electrocución. Antes de realizar estos pasos de instalación, desconecte la corriente eléctrica al área de trabajo desde el panel principal de interruptores.



ADVERTENCIA: Riesgo de lesiones personales Si usted no se siente bien mientras toma el baño de vapor, apague la unidad. Tome una ducha fría, abra la puerta o salga de la unidad.



ADVERTENCIA: Riesgo de reacciones alérgicas. Antes de agregar aceites, productos terapéuticos aromáticos o productos para el cuidado de la piel al recipiente para aromaterapia, asegúrese de que éstos no causen una reacción alérgica al usuario.



ADVERTENCIA: Riesgo de lesiones personales Este baño de vapor no es recomendable para mujeres embarazadas, personas que padezcan problemas cardíacos, hipertensión, problemas circulatorios, así como personas que estén bajo la influencia de bebidas alcohólicas, drogas, medicamentos o bajo la atención de un médico. El baño de vapor puede causar fatiga, tal como lo hacen los baños calientes, las duchas y los baños sauna.



ADVERTENCIA: Riesgo de lesiones personales **NO** consuma bebidas alcohólicas ni tome medicamentos antes o durante el uso del baño de vapor. El uso de alcohol y drogas afecta la capacidad mental e inhibe ciertas funciones corporales tales como el ritmo cardíaco y la respiración, lo cual constituye un serio peligro.



ADVERTENCIA: Riesgo de lesiones a los niños. No permita que los niños utilicen esta unidad sin estricta supervisión en todo momento. El generador de vapor no está diseñado para que lo usen los niños.



ADVERTENCIA: Riesgo de lesiones personales No instale una trampa en la línea de vapor ni una válvula de alivio de presión en la línea de vapor. La instalación de una válvula de alivio de presión en la línea de vapor puede ser peligrosa si la salida de vapor se tapa.

Antes de comenzar (cont.)

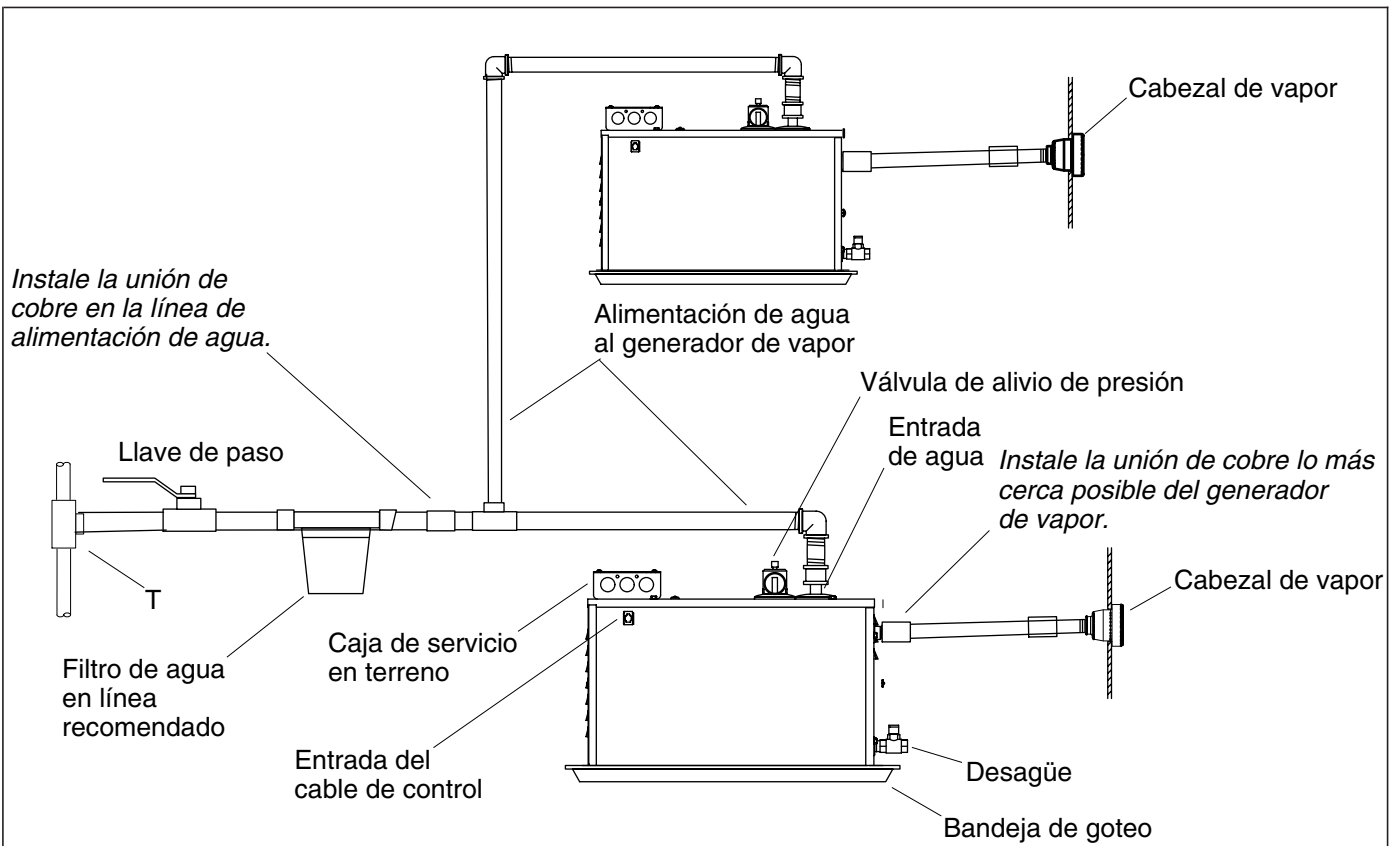


ADVERTENCIA: Riesgo de lesiones personales o daños a la propiedad. Evite el contacto con el tanque de agua y las líneas de descarga de vapor durante el funcionamiento del generador o inmediatamente después de apagarlo. Utilice lentes de seguridad y ropa protectora al dar mantenimiento al generador de vapor. El generador de vapor funciona a altas temperaturas.

AVISO: Use esta unidad solamente para el fin con el que se ha diseñado, como se especifica en este manual. **NO** use equipos adicionales que no estén recomendados por Kohler Co.

AVISO: Al soldar las conexiones, no aplique calor excesivo a las conexiones del generador. No aplique fundente ni ácidos directamente al generador, pues ello podría dañar los sellos, los componentes plásticos y el acabado de la guarnición. No aplique lubricantes derivados del petróleo a los componentes del generador, pues se pueden causar daños.

- Cumpla con todos los códigos locales de electricidad y de plomería. Todas las conexiones eléctricas deben ser realizadas por un electricista calificado.
- Desconecte toda la energía eléctrica antes de hacer las conexiones eléctricas.
- Kohler Co. se reserva el derecho de modificar el diseño de los productos sin previo aviso, tal como se especifica en la lista de precios.



1. Determine la disposición



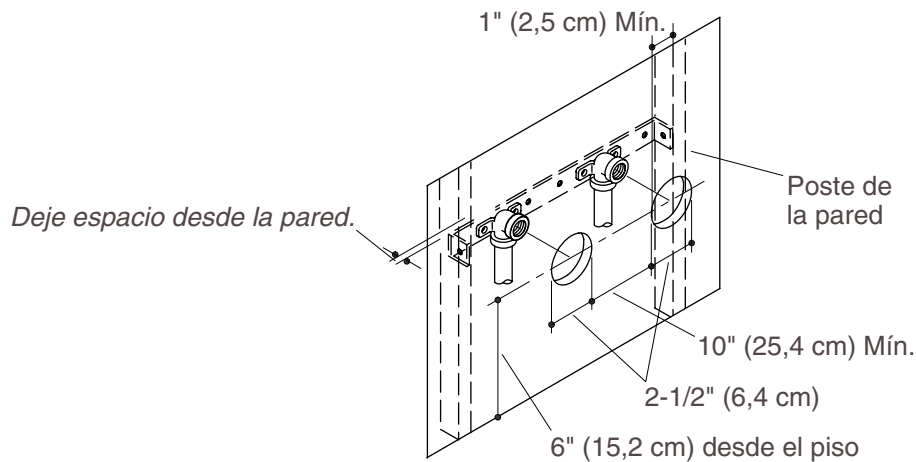
ADVERTENCIA: Riesgo de daños a la propiedad. Deje un espacio libre mínimo de 12" (30,5 cm) entre y alrededor de todos los lados de los generadores de vapor en todo momento. Esta área permitirá la disipación del calor generado por las unidades.

AVISO: Los generadores de vapor funcionarán mejor si se instalan lo más cerca posible a los cabezales de vapor. Ambas unidades deben instalarse dentro de una distancia de 25' (7,62 m) de los cabezales de vapor.

AVISO: Para un óptimo desempeño, instale los generadores de vapor a un nivel más abajo que los cabezales de vapor.

NOTA: Cuando sea posible, utilice codos de 45 grados. El rendimiento será mayor cuando se utilicen codos de 45 grados.

- Determine el lugar de instalación de los generadores de vapor. Deje un espacio de 12" (30,5 cm) en todos los lados del generador o generadores, y 12" (30,5 cm) entre ellos. Deje espacio para una bandeja de goteo.
- Elija una bandeja que sea apta para su instalación. La bandeja de goteo no se provee.



2. Determine el lugar de instalación del herraje de vapor



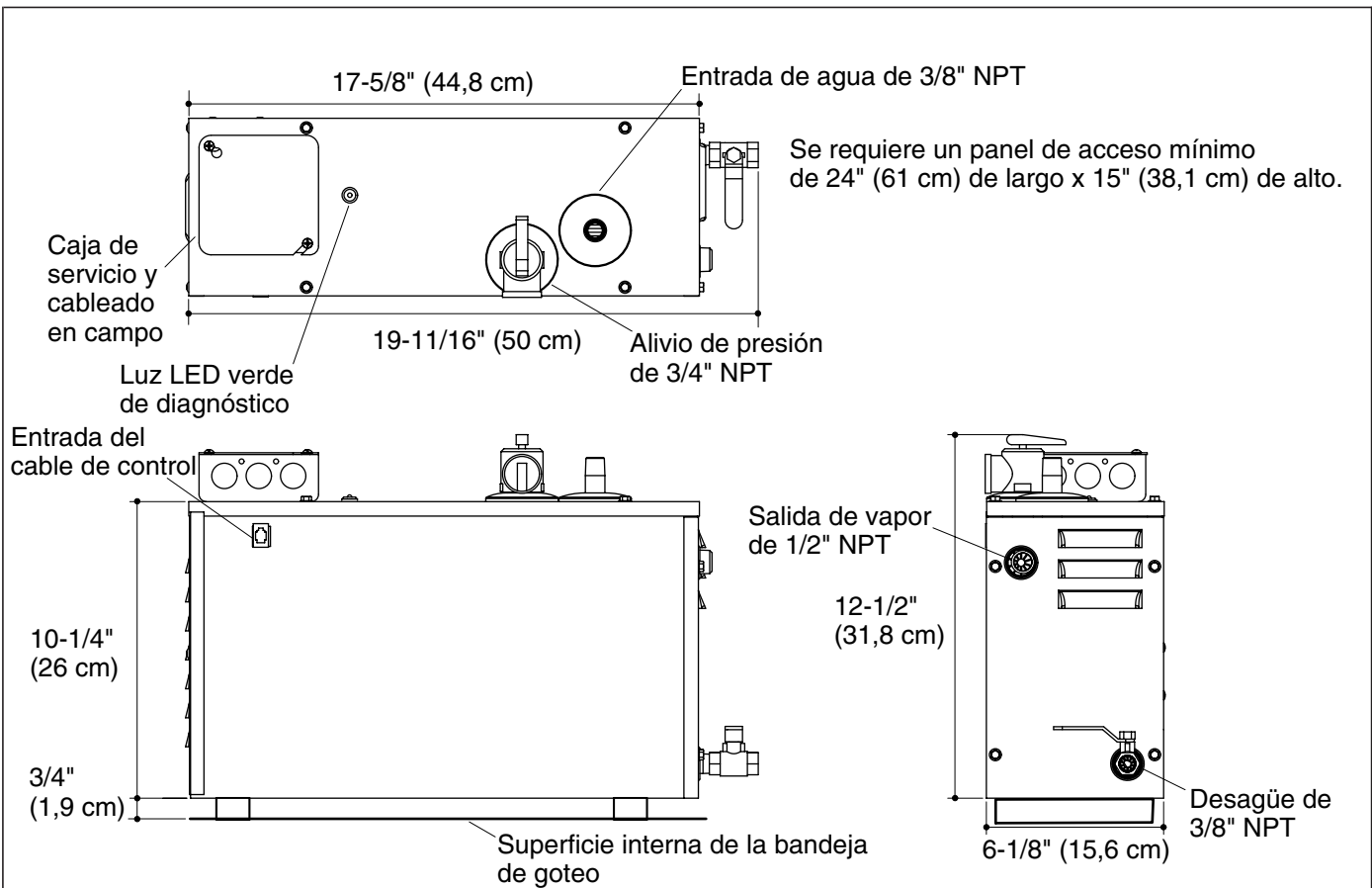
ADVERTENCIA: Riesgo de quemaduras. No bloquee el cabezal de vapor ni lo instale cerca de un asiento o banca, puesto que el cabezal de vapor se calienta durante el funcionamiento y si el usuario lo toca puede quemarse.

Para instalaciones de ducha a la medida

NOTA: Todas las dimensiones deben tomarse desde el interior de la ducha.

¡IMPORTANTE! No instale el control de vapor directamente arriba o en línea con los cabezales de vapor.

- Se recomienda que coloque los cabezales de vapor y el control de vapor en la misma pared que tiene los controles de plomería.
- Instale el cabezal de vapor 6" (15,2 cm) arriba del piso de la ducha y 4-1/2" (11,4 cm) del umbral.
- Coloque el control de vapor 60" (152,4 cm) arriba del piso de la ducha, pero no directamente en línea con los cabezales de vapor. Consulte las instrucciones de instalación del Kit de Control de Vapor para obtener más información sobre las dimensiones y la instalación.
- Asegúrese de que haya suficiente espacio libre entre las líneas de vapor y las superficies de alrededor.



3. Determine el lugar de instalación de los generadores de vapor

¡IMPORTANTE! El panel de acceso requerido mínimo es de 24" (61 cm) de largo x 15" (38,1 cm) de alto. Deje un mínimo de espacio libre de 12" (30,5 cm) alrededor de todos los lados de los generadores de vapor.

- Asegure el espacio libre entre las líneas de vapor y las superficies de alrededor.
- Planee el acceso a los generadores de vapor después de la instalación.
- Deje un espacio de 12" (30,5 cm) entre y en todos los lados del generador.
- Deje espacio para una bandeja de goteo.
- Para un óptimo desempeño, instale los generadores de vapor a un nivel más abajo que los cabezales de vapor y lo más cerca posible a los cabezales de vapor. Los generadores de vapor deben instalarse dentro de una distancia de 25 pies (7,62 m) de los cabezales de vapor, en un lugar seco y bien ventilado. Se deben instalar dentro de 12' (30,5 cm) uno del otro.

4. Instale los suministros eléctricos

Modelo	K-1714-NA	K-1715-NA
Información para pedidos		
Capacidad del generador de vapor	18 kW (2-9 kW)	22 kW (2-11 kW)
Requisitos eléctricos		
Interruptor de circuito dedicado #1	240 V, 60 A, 50/60 Hz	240 V, 60 A, 50/60 Hz
Interruptor de circuito dedicado #2	240 V, 60 A, 50/60 Hz	240 V, 60 A, 50/60 Hz
Información sobre el producto		

Instale los suministros eléctricos (cont.)

Peso	42 lbs (19 kg), 21 lbs (9,5 kg) cada uno	
Tamaño	18" (45,7 cm) de largo x 24" (61 cm) x 13" (33 cm)	
Capacidad eléctrica	240 V, 45 A, 50/60 Hz	240 V, 46 A, 50/60 Hz
Suministro de agua	Línea de cobre de 3/8"	Línea de cobre de 3/8"
Llave de paso del suministro de agua	Hembra NPT de 3/8"	Hembra NPT de 3/8"
Línea de vapor	Línea de cobre de 1/2" (rosca NPT de 1/2")	Línea de cobre de 1/2" (rosca NPT de 1/2")
Válvula de alivio de presión (provista)	Rosca hembra NPT de 3/4"	Rosca hembra NPT de 3/4"
Línea de desagüe	Línea de cobre de 3/8"	Línea de cobre de 3/8"
Válvula de desagüe	Rosca hembra NPT de 3/8"	Rosca hembra NPT de 3/8"
Tamaño del cuarto de vapor	480 pies cúbicos (14 metros cúbicos)	635 pies cúbicos (18 metros cúbicos)



PELIGRO: Riesgo de electrocución. Antes de realizar estos pasos de instalación, desconecte la corriente eléctrica al área de trabajo desde el panel principal de interruptores.

- Cumpla con todos los códigos eléctricos locales. Todas las conexiones eléctricas deben ser realizadas por un electricista calificado.
- Repase la ilustración que muestra los requisitos de instalación para los generadores de vapor específicos.
- Instale los suministros eléctricos correctos.

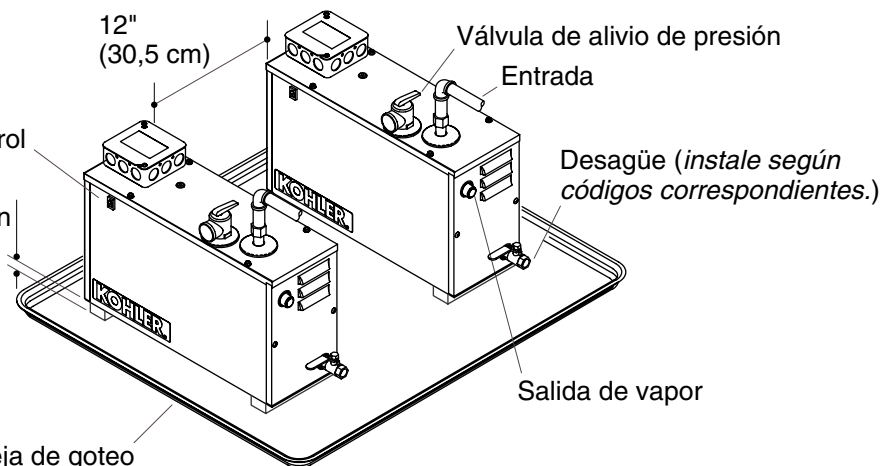
Mantenga un espacio libre de 12" (30,5 cm) alrededor de las unidades.

Entrada del cable de control

3/4" (1,9 cm) Mín

Bandeja de goteo

12"
(30,5 cm)



Válvula de alivio de presión

Entrada

Desagüe (instale según códigos correspondientes.)

Salida de vapor

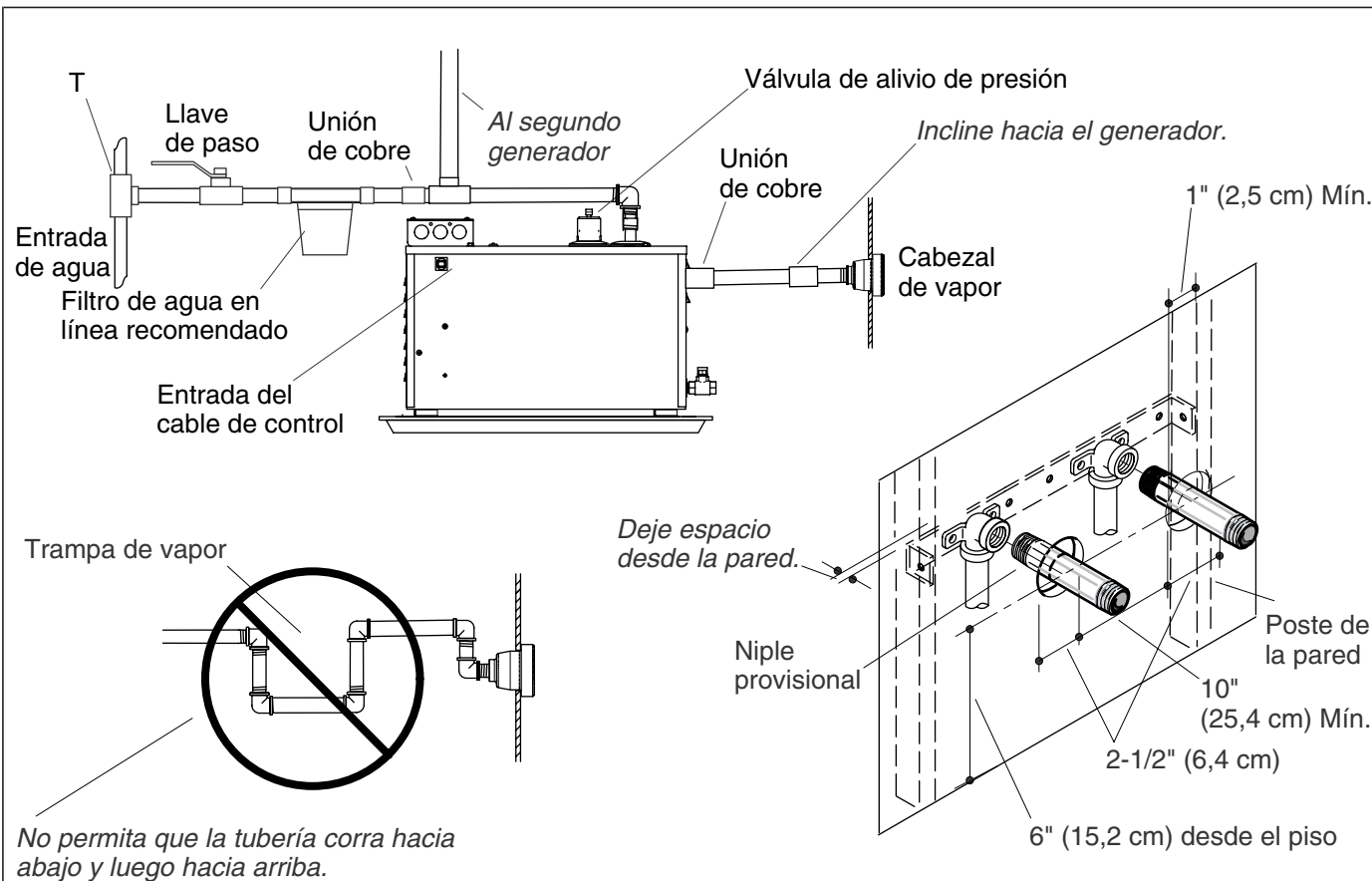
5. Instale los generadores de vapor



ADVERTENCIA: Riesgo de daños a la propiedad. Deje un espacio libre mínimo de 12" (30,5 cm) alrededor de los generadores de vapor en todo momento. Esta área permitirá la disipación del calor generado por las unidades.

AVISO: Para un óptimo rendimiento, instale los generadores de vapor lo más cerca posible a los cabezales de vapor. Los generadores de vapor deben instalarse dentro de una distancia de 25' (7,62 m) del cabezal de vapor.

- Instale la bandeja de goteo que desee en el lugar de instalación del generador de vapor.
- Coloque los generadores de vapor en la bandeja de goteo.



6. Instale las líneas de suministro de agua y de vapor



ADVERTENCIA: Riesgo de lesiones personales o daños a la propiedad. No instale la válvula de alivio de presión en la línea de vapor. La instalación de una válvula de alivio de presión en la tubería de vapor puede crear un peligro si la línea de vapor se tapa u obstruye.



ADVERTENCIA: Riesgo de quemaduras. No instale una trampa, llave de paso ni válvula de alivio de presión en la línea de vapor. La instalación de una válvula de alivio de presión en la tubería de vapor puede presentar un peligro en caso de que se tape la salida de vapor.



ADVERTENCIA: Riesgo de lesiones personales o daños a la propiedad. No dirija la válvula de alivio de presión hacia la cabina. En caso de que la válvula de alivio de presión se active, el agua caliente puede rociarse, produciendo quemaduras al usuario y/o daños a la cabina. Por lo tanto, esta válvula de alivio debe estar dirigida hacia un área que no se dañe al entrar en contacto con el agua caliente y debe cumplir con los códigos de plomería nacionales y locales.

Instale las líneas del suministro de agua a los generadores.

NOTA: Para todas las conexiones roscadas NPT, utilice cinta selladora de rosca o sellador de tubos. No apriete demasiado las conexiones.

- Conecte a una línea de agua fría existente para cada generador de vapor y tienda una línea de agua fría de 3/8" a una llave de paso antes del filtro de agua en línea.
- Antes de la conexión final a los generadores de vapor, descargue la línea de suministro de agua dentro de una cubeta grande. Esto retira las partículas, lodos, arena, u otro material que pueda haber en la línea.
- Instale tubo de cobre de 3/8" con una conexión de unión entre el filtro de agua en línea y la entrada de agua a los generadores de vapor.
- Conecte las líneas del suministro de agua a los generadores de vapor.

Instale las líneas de suministro de agua y de vapor (cont.)

- Llene cada generador de vapor con agua y verifique que no haya fugas.

AVISO: Los generadores de vapor están equipados con una llave de paso automática. El agua dejará de fluir una vez que la unidad esté llena. Si fluye agua de la salida de vapor cierre el agua y llame al Centro de Atención al Cliente mediante el número que se indica en la última página de esta guía.

- Si las líneas de suministro de agua exceden 10' (3 m) o quedan expuestas a zonas frías, aisle la tubería con aislamiento adecuado.

Instale las líneas de vapor



ADVERTENCIA: Riesgo de quemaduras. No instale los cabezales de vapor cerca de un asiento o banca, pues pueden ocurrir quemaduras por contacto con el cabezal de vapor.

AVISO: Nunca instale líneas de vapor que corra hacia abajo y luego hacia arriba. Si las líneas de vapor corren hacia abajo y luego hacia arriba, el vapor se condensará y obstruirá el flujo de vapor. Cada línea de vapor debe correr hacia arriba hasta el cabezal de vapor desde el generador, con una inclinación de 3/8" (1 cm) a 1/2" (1,3 cm) por cada 12" (30,5 cm) de tubo.

AVISO: Deje espacio entre la pared posterior y los codos que dirigen el flujo dentro del alojamiento del vapor. Los codos no deben entrar en contacto con el material de la pared.

AVISO: Provea el espacio libre entre las líneas de vapor y las superficies de alrededor.

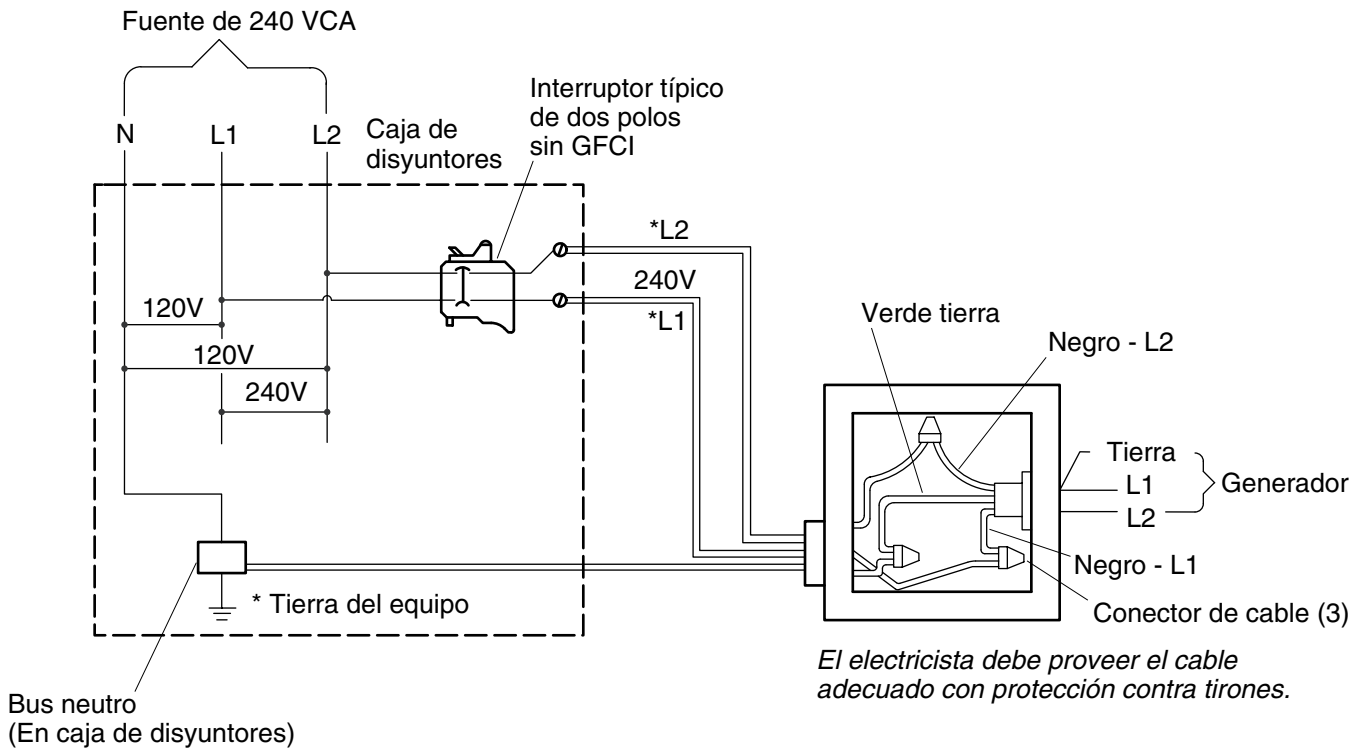
AVISO: No aplique demasiado calor a las conexiones cuando esté soldando. No aplique fundente ni ácidos directamente a los generadores, pues ello podría dañar los sellos, los componentes plásticos y el acabado de la guarnición. No aplique lubricantes derivados del petróleo a los componentes del generador, pues se pueden causar daños.

NOTA: Para todas las conexiones roscadas, utilice cinta selladora de rosca o sellador de tubos. No apriete demasiado las conexiones.

NOTA: Utilice tubo de cobre de 1/2" para las líneas de vapor.

NOTA: Siempre instale la unión lo más cerca posible de los generadores de vapor.

- Agregue bloques detrás de los lugares deseados de instalación de los cabezales de vapor.
- Instale y fije un codo de 1/2" NPT a los bloques directamente detrás de cada lugar deseado para los cabezales de vapor.
- Corte un orificio a través del material de la pared para aceptar un niple provisional para cada cabezal de vapor.
- Agregue niples provisionales de cobre de 1/2".



7. Conecte los suministros eléctricos



PELIGRO: Riesgo de electrocución. Desconecte toda la energía eléctrica antes de seguir estos pasos de instalación.

AVISO: Todas las conexiones eléctricas deben ser realizadas por un electricista calificado.

AVISO: Todo el cableado eléctrico debe realizarse de conformidad con los códigos locales.

AVISO: Cada generador de vapor requiere un circuito dedicado.

Conecte la alimentación eléctrica

- Corte toda la corriente eléctrica al área de trabajo desde el panel principal de interruptores.
- Conecte la línea eléctrica de 240 VCA a los cables identificados como "L1", "L2", y el cable verde (tierra) que sale de la caja de servicio en campo del generador de vapor ubicada en la parte superior del generador de vapor.
- Confirme que la conexión a tierra se haya hecho en la caja de servicio en campo.
- Cierre la caja de servicio en campo.
- Active la alimentación eléctrica principal.
- La luz de función debe mostrar una luz verde. Si la luz de función no es verde, consulte la "Guía para resolver problemas" o comuníquese con el centro de atención al cliente, mediante el número que se encuentra en la última página de este documento.

8. Termine la instalación

- Instale los alojamientos de vapor y los cabezales de vapor siguiendo las instrucciones que vienen con el kit de control de vapor.
- Instale el control de vapor siguiendo las instrucciones que vienen con el kit de control de vapor.
- Para operar el control de vapor, siga las instrucciones de funcionamiento provistas con el control de interface del usuario.

Garantía

Generador de vapor KOHLER GARANTÍA LIMITADA DE TRES AÑOS

Se garantiza al comprador consumidor original que las unidades de generador de vapor Kohler fabricados después del 15 de septiembre del 2001, están libres de defectos de fabricación en cuanto al material y mano de obra durante el uso residencial normal durante (3) tres años a partir de la fecha de instalación. Esta garantía sólo aplica a las unidades de generador de vapor KOHLER instaladas en los Estados Unidos de América, Canadá o México (Norteamérica).

En caso de que se presente algún defecto durante el uso residencial normal, Kohler Co., a su criterio, reparará o reemplazará la unidad, o realizará los ajustes pertinentes. Los daños causados por accidentes, uso indebido o abuso no están cubiertos en la presente garantía. Al presentar las reclamaciones de garantía a Kohler Co., es necesario incluir la prueba de compra (recibo original). Kohler Co. no se hace responsable de los gastos de mano de obra, desinstalación, instalación u otros gastos indirectos. En ningún caso la responsabilidad de Kohler Co. excederá el precio de compra de la unidad.

Si este producto se usa comercialmente o se instala fuera de Norteamérica, Kohler Co. garantiza que la unidad está libre de defectos de material y mano de obra por un (1) año, a partir de la fecha de instalación, estando en efecto todas las demás condiciones de la presente garantía, excepto la duración.

Para obtener el servicio de garantía, comuníquese con Kohler Co., a través de su distribuidor, contratista de plomería o distribuidor a través de Internet, o escriba directamente a: Kohler Co., Attn: Customer Care Center, 444 Highland Drive, Kohler, WI 53044, U.S.A. o llame al 1-800-4-KOHLER (1-800-456-4537) desde los Estados Unidos y Canadá, o al 001-800-456-4537 desde México, o visite www.kohler.com desde los Estados Unidos, www.ca.kohler.com desde Canadá, o www.mx.kohler.com en México.

KOHLER CO. Y/O EL VENDEDOR OFRECE ESTAS GARANTÍAS QUE SUSTITUYEN A TODAS LAS DEMÁS GARANTÍAS, EXPRESAS O IMPLÍCITAS, INCLUYENDO, ENTRE OTRAS, LAS GARANTÍAS IMPLÍCITAS DE COMERCIALIZACIÓN E IDONEIDAD PARA UN PROPÓSITO EN PARTICULAR. KOHLER CO. Y/O EL VENDEDOR POR MEDIO DE LA PRESENTE DESCARGAN TODA RESPONSABILIDAD POR CONCEPTO DE DAÑOS PARTICULARES, INCIDENTALES O INDIRECTOS. Algunos estados/provincias no permiten limitaciones en cuanto a la duración de una garantía implícita o a la exclusión o limitación de daños particulares, incidentales o indirectos, por lo que estas limitaciones y exclusiones pueden no aplicar a su caso. Esta garantía le otorga ciertos derechos legales específicos. Además, usted puede tener otros derechos que varían de estado a estado y provincia a provincia.

El presente documento constituye la garantía exclusiva por escrito de Kohler Co.

Guía para resolver problemas



PRECAUCIÓN: Los pasos para resolver problemas que involucran cables internos o componentes eléctricos deben ser realizados por un electricista calificado.

NOTA: Esta guía para resolver problemas aplica sólo al generador de vapor. Para cuestiones con el control de vapor, consulte la guía para resolver problemas provista con la documentación del Kit de control de vapor.

La guía para resolver problemas está diseñada únicamente como ayuda general. Para cuestiones y preguntas sobre el servicio y la instalación, comuníquese con el Centro de atención al cliente mediante la información que se encuentra en la última página de esta guía.

Guía para resolver problemas (cont.)

Síntomas	Causas probables	Acción recomendada
1. La luz LED verde no está encendida.	A. No hay energía eléctrica al generador.	A1. Restablezca la corriente eléctrica en el interruptor principal. A2. Pida a un electricista calificado que verifique que la energía de 240 V esté presente en el generador.
	B. El interruptor tomacorriente está en la posición apagada.	B. Encienda la corriente eléctrica en el interruptor principal.
	C. El interruptor tomacorriente no es del tamaño correcto.	C. Verifique que el interruptor tomacorriente sea del tamaño correcto. Si es de un tamaño equivocado, reemplácelo.
	D. La conexión eléctrica en la caja de servicio en campo del generador está floja.	D. Desactive la energía eléctrica al generador. Pida a un electricista calificado que abra la caja de servicio en campo y que verifique todas las conexiones. Pida a un electricista calificado que repare las conexiones malas.
2. El cabezal de vapor tiene un flujo continuo de agua. El flujo de agua durante el ciclo de autolimpieza es normal.	A. Los componentes internos del generador no funcionan correctamente.	A1. Cierre el suministro de agua y drene el agua del generador. Cierre la válvula de desagüe.
		A2. Abra parcialmente la llave de paso del suministro una cantidad pequeña.
		A3. Deje que el agua llene gradualmente el tanque dentro del generador (puede tomar varios minutos). Si el agua continúa fluyendo del cabezal de vapor, A1.
		A4. Abra completamente la llave de paso del suministro de agua.
		A5. En modelos con opción de autolimpieza solamente, si el agua continúa fluyendo del cabezal de vapor, corra el ciclo de autolimpieza.
	A6. Si el agua continúa fluyendo del cabezal de vapor, comuníquese con el Centro de atención al cliente mediante la información que se encuentra en la última página de esta guía.	
B. El suministro de agua no está bien conectado al generador.	B. Repase la guía de instalación y si es necesario, vuelva a conectar el suministro de agua en el lugar correcto.	

USA/Canada: 1-800-4KOHLER

México: 001-800-456-4537

kohler.com

THE BOLD LOOK
OF **KOHLER**®

©2010 Kohler Co.

1059059-2-E