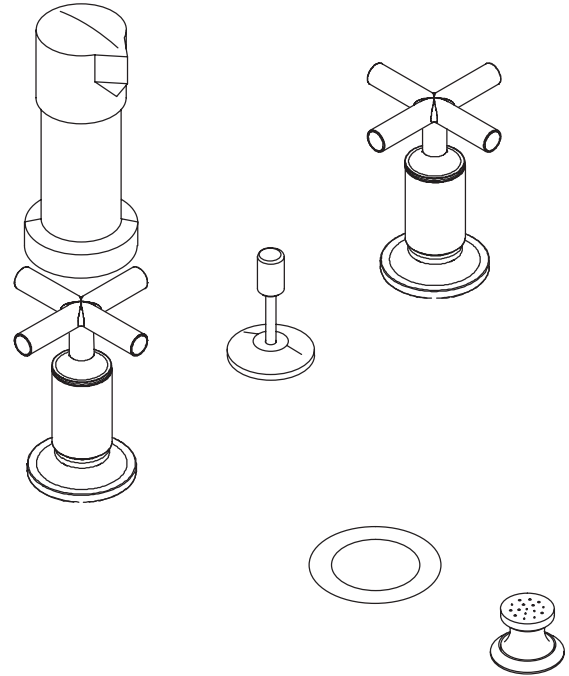


**BIDET FAUCET
K-14431**

FEATURES

- Metal construction
- Flexible connections
- Brass valve bodies
- Reversible quarter-turn washerless ceramic disc valves
- Pop-up drain with lift rod and tailpiece
- Variety of handle style options
- Vertical spray
- Fixture-mount transfer valve/vacuum breaker
- Cross handles
- Lever handles



CODES/STANDARDS APPLICABLE



Specified model meets or exceeds the following:

- ASME/ANSI A112.18.1M
- CSA International B125
- ANSI/ASSE 1001
- IAPMO/UPC

COLORS/FINISHES

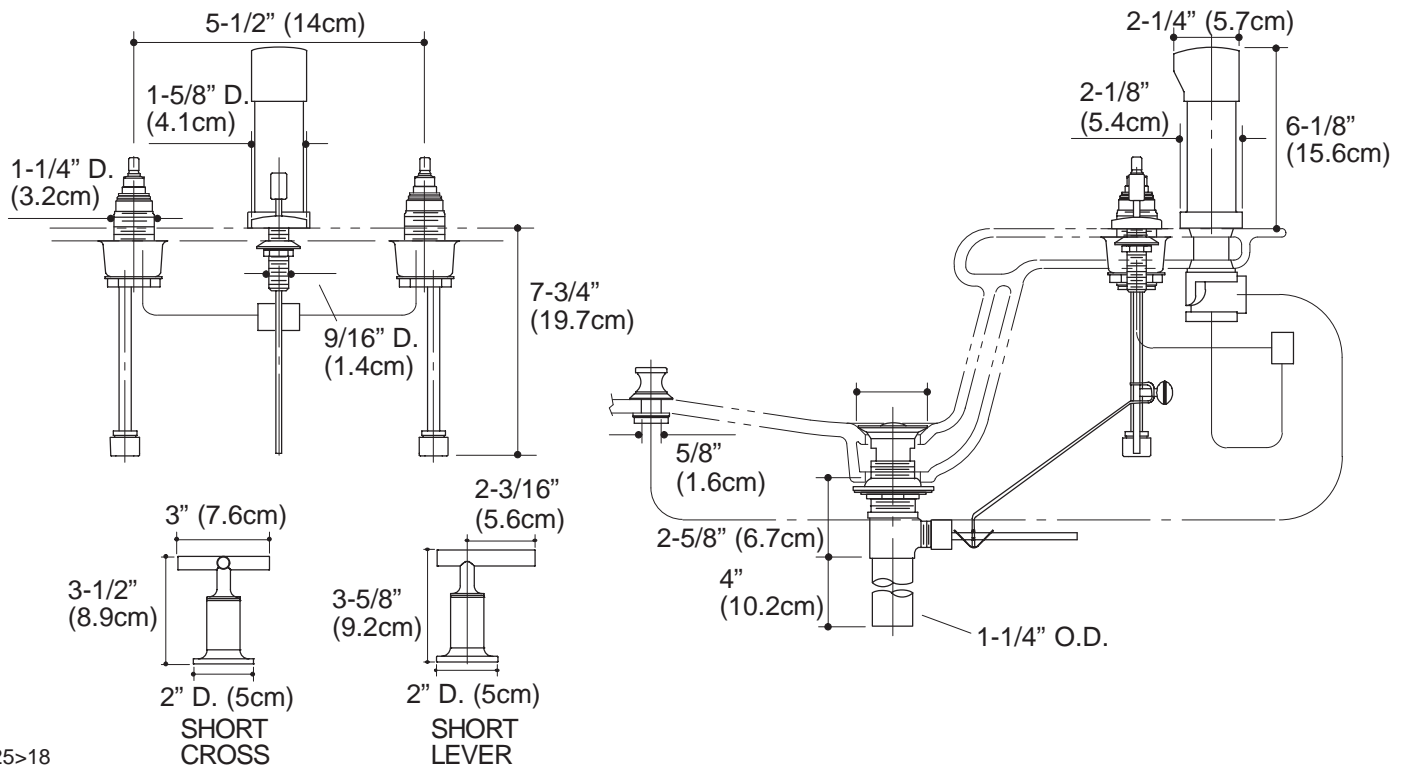
- CP Polished Chrome
- PB Polished Brass
- Other Refer to Faucets Price Book for additional finishes

SPECIFIED MODEL:

Model	Description	 ADA	 ADA
K-14431-3	Cross Handle (shown)	<input type="checkbox"/> CP <input type="checkbox"/> Other__	
K-14431-4	Lever Handle		<input type="checkbox"/> CP <input type="checkbox"/> Other__

PRODUCT SPECIFICATION:

Two-handle fixture-mount bidet faucet shall be of metal construction. Faucet shall feature brass valve bodies. Faucet shall feature reversible quarter-turn washerless ceramic disc valves, assuring positive handle stop positioning. Product shall include flexible connections, pop-up drain with lift rod and tailpiece, handles, vertical spray, and fixture-mount valve/vacuum breaker. Faucet shall be Kohler Model K-14431-____-_____.



1.25>18

PRODUCT DIAGRAM