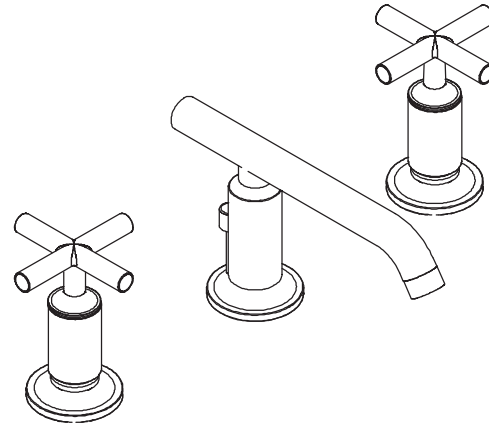


**LAVATORY FAUCET  
K-14410**

**FEATURES**

- Metal construction
- Flexible connections
- Brass valve bodies
- Reversible quarter-turn washerless ceramic disc valves
- 5" (12.7cm) spout
- 2.2 gallons (8.3L) per minute
- Pop-up drain with lift rod and tailpiece
- Cross handles
- Lever handles



**CODES/STANDARDS APPLICABLE**

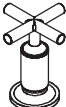

Specified model meets or exceeds the following:

- ASME/ANSI A112.18.1M
- CSA International B125
- Energy Policy Act of 1992
- IAPMO/UPC
- NSF 61

**COLORS/FINISHES**

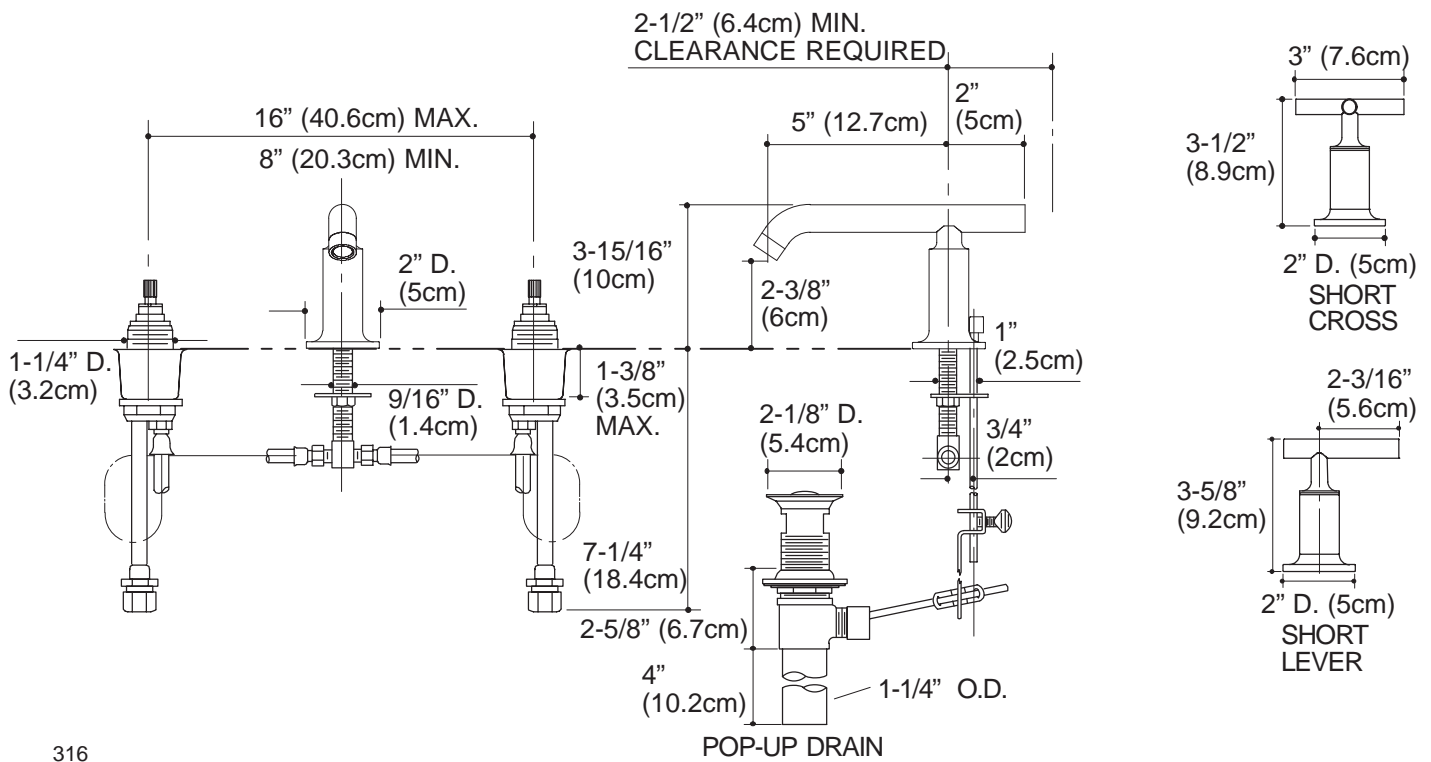
- CP Polished Chrome
- Other Refer to Faucets Price Book for additional finishes

**SPECIFIED MODEL:**

Model	Description	 ADA	 ADA
K-14410-3	Cross Handles (shown)	<input type="checkbox"/> CP <input type="checkbox"/> Other___	
K-14410-4	Lever Handles		<input type="checkbox"/> CP <input type="checkbox"/> Other___

**PRODUCT SPECIFICATION:**

Two-handle widespread lavatory faucet shall be of metal construction. Faucet shall feature brass valve bodies. Faucet shall feature reversible quarter-turn washerless ceramic disc valves, assuring positive handle stop positioning. Product shall include flexible connections, 5" (12.7cm) spout, pop-up drain with lift rod and tailpiece, cross and lever handles. Faucet shall be Kohler Model K-14410-\_\_\_\_\_-\_\_\_\_\_.



316

**PRODUCT DIAGRAM**