

FEATURES

- Vitreous china
- Drilled for fixture-mounted centerset over-the-rim bidet faucet (3-hole) or front fill and vertical spray (4-hole)
- For above or below the floor rough-in
- 4-hole (K-4897), 3-hole (K-4896)

K-4896, K-4897



K-4896



K-4897

CODES/STANDARDS APPLICABLE

Specified model meets or exceeds the following:

- ASME/ANSI A112.19.2M
- IAPMO/UPC
- Canadian Standards Association (CSA)

COLORS/FINISHES

- 0 White
- Other Refer to Fixtures Price Book for additional colors

Accessories:

- CP Polished Chrome
- PB Polished Brass
- Other Refer to Faucets Price Book for additional finishes

SPECIFIED MODEL:

| Model | Description | Colors/Finishes | | |
|---------------------------------------|--|-------------------------------------|-------------------------------------|-------------------------------------|
| K-4896 | 3-hole bidet (centerset) | <input type="checkbox"/> 0 White | <input type="checkbox"/> Other_____ | |
| K-4897 | 4-hole bidet (integral fill and vertical spray) | <input type="checkbox"/> 0 White | <input type="checkbox"/> Other_____ | |
| Recommended Accessories | | | | |
| K-9018 | Trap | <input type="checkbox"/> CP | <input type="checkbox"/> PB | <input type="checkbox"/> Other_____ |
| Recommended Faucets For K-4896 | | | | |
| K-6226-4 | Flair™ Lever faucet OR | <input type="checkbox"/> CP | <input type="checkbox"/> PB | |
| K-8240 | Taboret® LX faucet OR | <input type="checkbox"/> Other_____ | | |
| K-8240-K | Taboret base faucet OR | <input type="checkbox"/> CP | <input type="checkbox"/> PB | |
| K-9279-K | Triton™/Finesse™/Flair Acrylic base faucet OR | <input type="checkbox"/> CP | <input type="checkbox"/> PB | |
| K-9299-2 | Alterna™ faucet OR | <input type="checkbox"/> CP | <input type="checkbox"/> PB | <input type="checkbox"/> Other_____ |
| K-14532 | Paladar™ faucet OR | <input type="checkbox"/> CP | <input type="checkbox"/> PB | <input type="checkbox"/> Other_____ |
| K-15894-K | Coralais™ basefaucet OR | <input type="checkbox"/> CP | <input type="checkbox"/> PB | |
| K-16131 | Revival™ faucet | <input type="checkbox"/> CP | <input type="checkbox"/> PB | <input type="checkbox"/> Other_____ |
| Recommended Faucets For K-4897 | | | | |
| K-142 | Antique™ faucet OR | <input type="checkbox"/> CP | <input type="checkbox"/> PB | |
| K-6221-4 | Flair™ Lever faucet OR | <input type="checkbox"/> CP | <input type="checkbox"/> PB | |
| K-6412 | Neuville™ faucet OR | <input type="checkbox"/> CP | <input type="checkbox"/> PB | |
| K-6814 | IV Georges Brass™ faucet OR | <input type="checkbox"/> PB | | |
| K-7921 | Cirrus™ faucet OR | <input type="checkbox"/> CP | <input type="checkbox"/> PB | |
| K-7931 | Pillows™ faucet OR | <input type="checkbox"/> PB | | |
| K-616 | Finial Art faucet OR | <input type="checkbox"/> Other_____ | | |

Additional Faucets on Page 2

PRODUCT SPECIFICATION:

The bidet shall be made of vitreous china. Bidet shall be drilled for fixture-mounted centerset over-the-rim bidet faucet (3-hole) or front fill and vertical spray (4-hole). Bidet shall be for above or below the floor rough-in. Bidet shall be 4-hole (K-4897) or 3-hole (K-4896). Bidet shall be Kohler Model K-_____ -_____.

PORTRAIT™

Recommended Faucets For K-4897 Continued

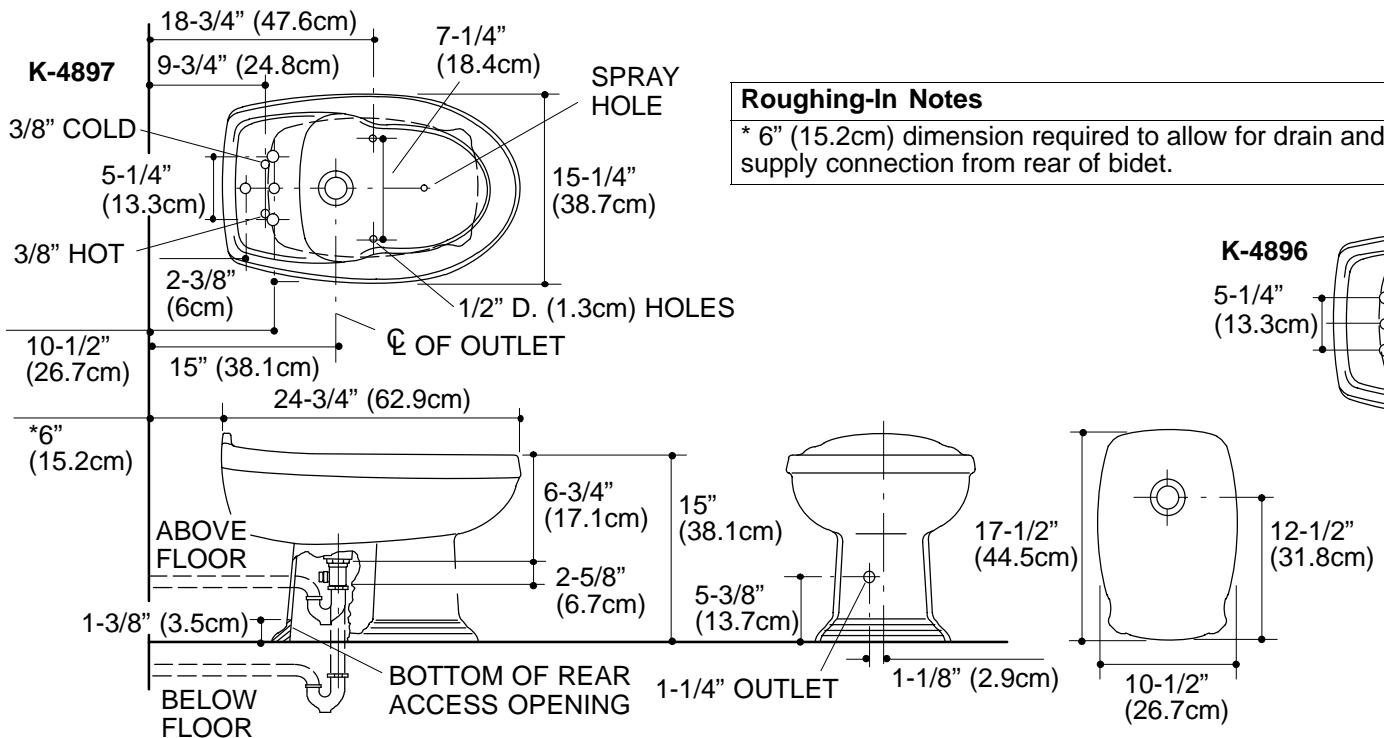
| | | | | |
|-----------|---|-----------------------------|-----------------------------|-------------------------------------|
| K-15896-K | Coralais™ faucet OR | <input type="checkbox"/> CP | <input type="checkbox"/> PB | <input type="checkbox"/> Other_____ |
| K-316 | Finial Fundamentals faucet OR | | | <input type="checkbox"/> Other_____ |
| K-8247 | Taboret® faucet OR | <input type="checkbox"/> CP | <input type="checkbox"/> PB | |
| K-9274-K | Triton™/Finesse™/ Flair Acrylic base faucet OR | <input type="checkbox"/> CP | <input type="checkbox"/> PB | |
| K-9295 | Alternia™ faucet OR | <input type="checkbox"/> CP | <input type="checkbox"/> PB | <input type="checkbox"/> Other_____ |
| K-16132 | Revival™ faucet | <input type="checkbox"/> CP | <input type="checkbox"/> PB | <input type="checkbox"/> Other_____ |

PRODUCT INFORMATION

| | | |
|----------|-------------------|--------------------|
| Fixture: | | |
| Holes | K-4896 | K-4897 |
| Faucet | 1-3/8" D. (3.5cm) | 1-3/8" D. (3.5cm) |
| Pop-up | 1-1/8" D. (2.9cm) | 1-1/8" D. (2.9cm) |
| Spray | | 3/4" D. (1.9cm) |
| Diverter | | 1-5/16" D. (3.3cm) |

PRODUCT INFORMATION

| | |
|----------------------------|-------------------|
| Configuration | Faucet deck |
| Outlet | 1-3/4" D. (4.4cm) |
| Included Components: | |
| Floor screws and bolt caps | 52049 |



Roughing-In Notes

* 6" (15.2cm) dimension required to allow for drain and supply connection from rear of bidet.

116

PRODUCT DIAGRAM