



## Features

- Glass
- Integrated top and basin
- Without overflow
- 10" (25.4 cm) centers (-10), single-hole (-1), or no faucet hole
- 31-1/8" (79.1 cm) x 22-1/8" (56.2 cm)

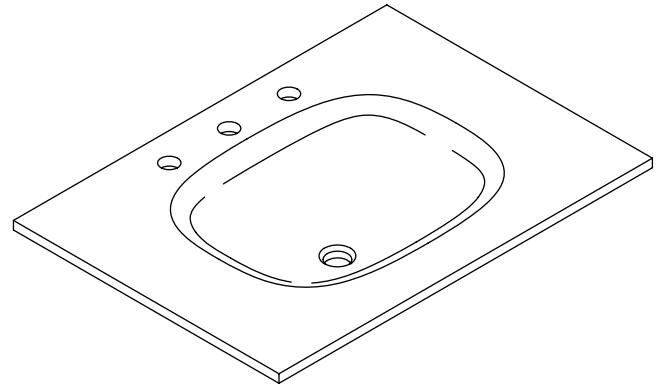
## TOP AND BASIN LAVATORY

**K-2372**  
ALSO K-14017

## Codes/Standards Applicable

Specified model meets or exceeds the following:

- IAPMO/UPC IGC 172
- CSA B45
- CSA B45.11



## Colors/Finishes

- Y1: Raven
- YM: Raffia

## Accessories

- CP: Polished Chrome
- Other: Refer to Price Book for additional colors/finishes

## Specified Model

Model	Description	Colors/Finishes	
K-2372	Runway top and basin lavatory without faucet holes	<input type="checkbox"/> Y1	
K-2372-1	Runway top and basin lavatory with single-hole	<input type="checkbox"/> Y1	
K-2372-10	Runway top and basin lavatory with 10" (25.4 cm) centers	<input type="checkbox"/> Y1	
K-14017	Tracery top and basin lavatory without faucet holes		<input type="checkbox"/> YM
K-14017-1	Tracery top and basin lavatory with single-hole		<input type="checkbox"/> YM
K-14017-10	Tracery top and basin lavatory with 10" (25.4 cm) centers		<input type="checkbox"/> YM

Recommended Accessories			
K-7107	Decorative drain <b>OR</b>	<input type="checkbox"/> CP	<input type="checkbox"/> Other_____
K-7108	Decorative drain <b>OR</b>	<input type="checkbox"/> CP	<input type="checkbox"/> Other_____
K-7129	Grid drain	<input type="checkbox"/> CP	<input type="checkbox"/> Other_____
K-9018	P-Trap	<input type="checkbox"/> CP	<input type="checkbox"/> Other_____

## Product Specification

The glass lavatory shall be 31-1/8" (79.1 cm) in length and 22-1/8" (56.2 cm) in width. Lavatory shall have integrated top and basin. Lavatory shall be without overflow. Lavatory shall be available with 10" (25.4 cm) centers (-10), single-hole (-1), or no holes. Lavatory shall be Kohler Model K-\_\_\_\_-\_\_\_\_-\_\_\_\_.

## Technical Information

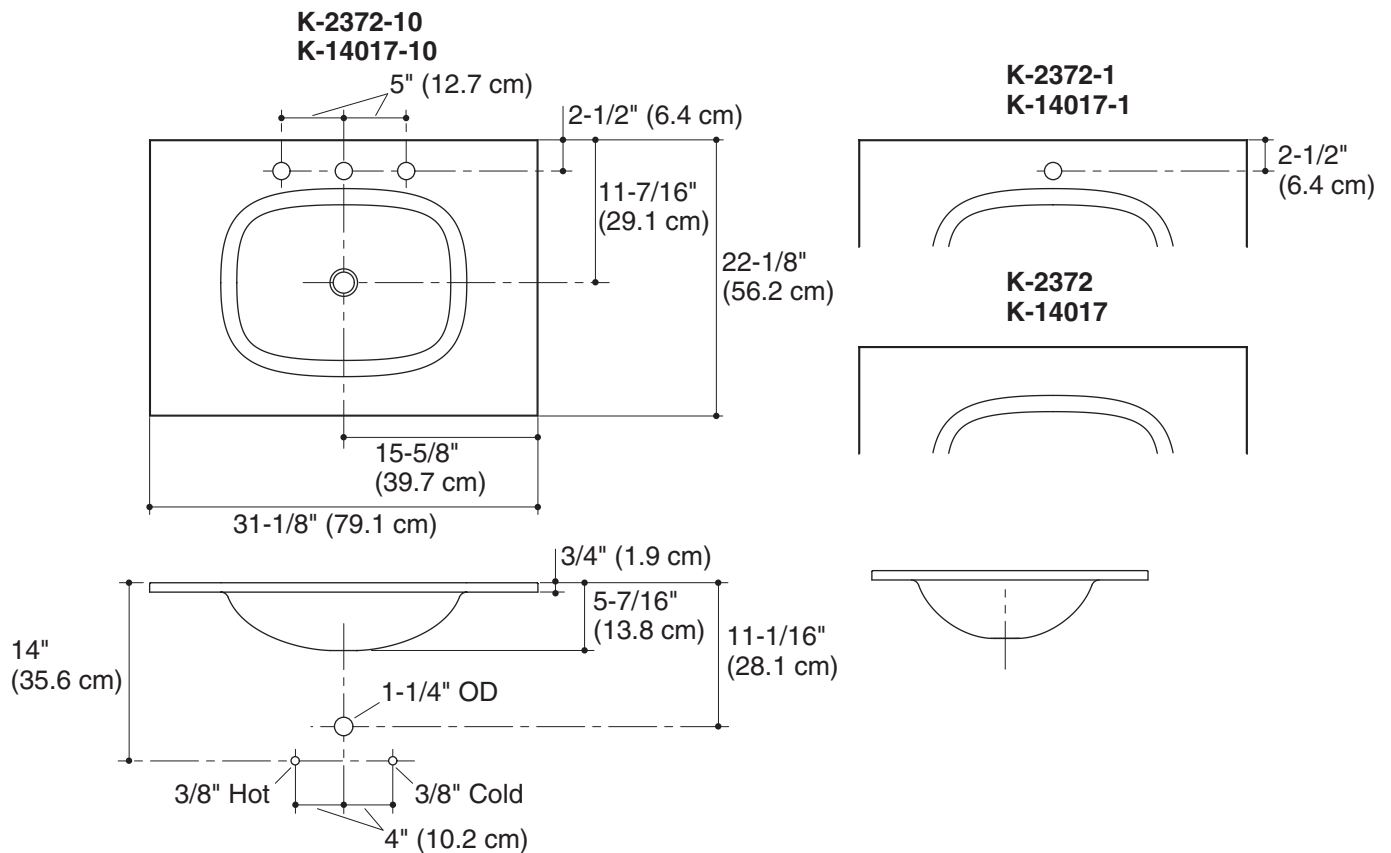
Fixture*:	
Basin area	17-1/8" (43.5 cm) x 12-1/2" (31.8 cm)
Water depth	4-1/2" (11.4 cm)
Drain hole	1-5/8" (4.1 cm) D.
* Approximate measurements for comparison only.	

## Installation Notes

**NOTE:** When selecting a faucet for this lavatory, ensure the faucet has a spout reach of 4-1/2" (11.4 cm) to 5" (12.7 cm) **and** has a spout height of 3" (7.6 cm) to 6" (15.2 cm).

Install this product according to the installation guide.

Product does not have an overflow.



## Product Diagram

TOP AND BASIN LAVATORY

Page 2 of 2  
1095017-4-A

THE BOLD LOOK  
OF **KOHLER**