

### 5.5' ACRYLIC BATH K-1229

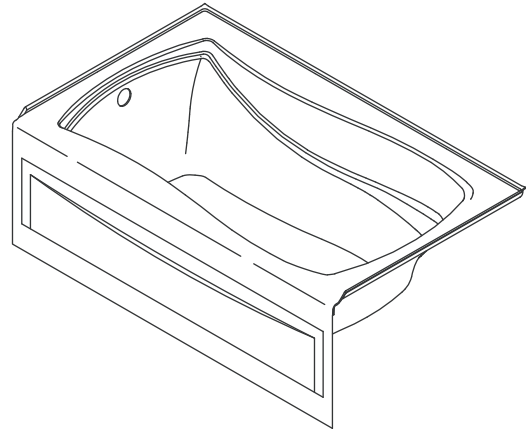
#### Features

- Acrylic
- Left or right drain
- Integral apron
- Integral apron/flange
- 66" (1676 mm) x 36" (914 mm) x 20" (508 mm)

#### Codes/Standards Applicable

Specified model meets or exceeds the following:

- ASTM E162
- ASTM E662
- CSA B45.5/IAPMO Z124



#### Colors/Finishes

- 0: White
- Other: Refer to Price Book for additional colors/finishes

#### Accessories

- CP: Polished Chrome
- PB: Vibrant® Polished Brass
- Other: Refer to Price Book for additional colors/finishes

#### Specified Model

Model	Description	Colors/Finishes		
K-1229-LA	Bath with left outlet, integral apron (shown)	<input type="checkbox"/> 0 White	<input type="checkbox"/> Other_____	
K-1229-RA	Bath with right outlet, integral apron	<input type="checkbox"/> 0 White	<input type="checkbox"/> Other_____	
Recommended Accessories				
K-7161-AF	Drain	<input type="checkbox"/> CP	<input type="checkbox"/> PB	<input type="checkbox"/> Other_____

#### Product Specification

The bath shall be 66" (1676 mm) in length, 36" (914 mm) in width, and 20" (508 mm) in height. Bath shall be made of acrylic. Bath shall have a right or left outlet. Bath shall have an integral apron. Bath shall be Kohler Model K-1229-\_\_\_\_-\_\_\_\_.

# MARIPOSA™

## Technical Information

Fixture:*	basin area	top area	weight
Bathing well	48" (1219 mm) x 24" (610 mm)	59" (1499 mm) x 30" (762 mm)	65 lbs. (30 kg)
	water depth	capacity	
To overflow	14" (356 mm)	67 gal. (254 L)	

\* Approximate measurements for comparison only.

## Installation Notes

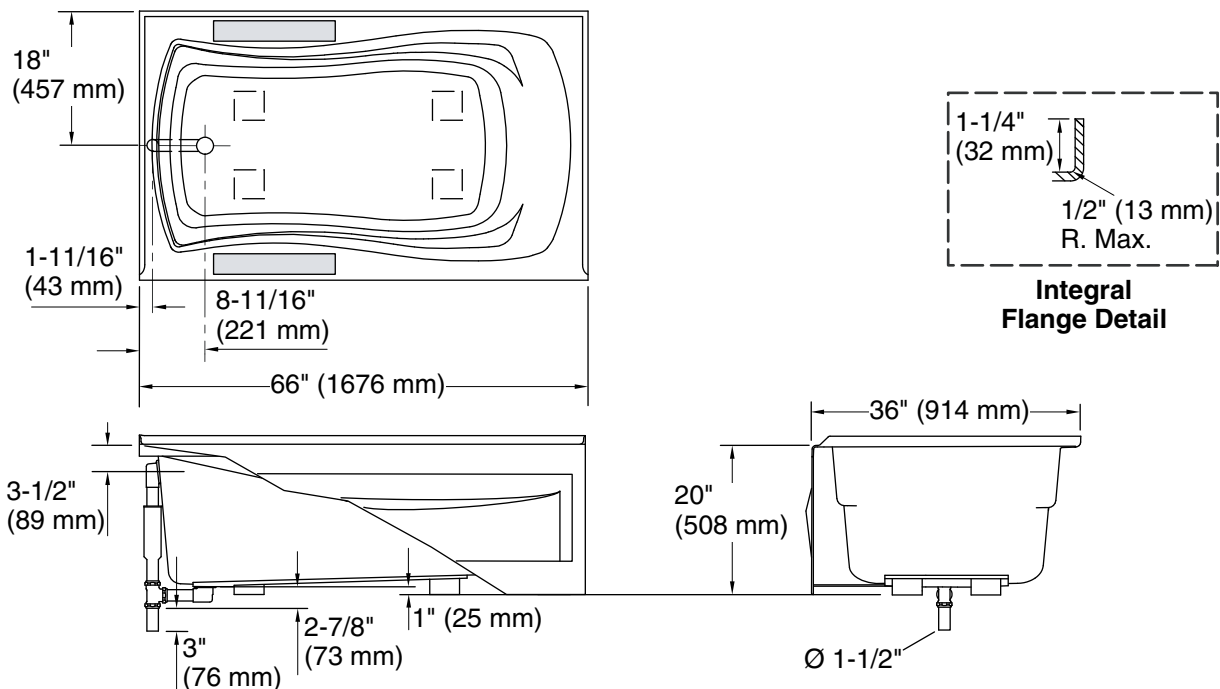
Install this product according to the installation guide.

**NOTE:** Unless otherwise specified, floor support under bath must provide for a minimum of 39 lbs/square foot (193 kg/square meter) loading.

If installing a rim mount faucet, make sure any plumbing does not interfere with the drain overflow and circulating system before drilling any holes. Consult local and national codes for minimum air gap requirements if installing a spout on the faucet deck.

No change in measurements with drain shown. (K-7161-AF or K-7161M-AF)

■ Recommended faucet area.



## Product Diagram