

# KOHLER®

## Roughing-In

K-1194-LA/-RA, K-1198-LA/-RA  
SYNCHRONY®

### 6' BATH WHIRLPOOL WITH INTEGRAL APRON

#### Product Information

Applicable products:	
6' bath whirlpool with integral apron – less Softgrip handles, left drain	K-1198-LA
6' bath whirlpool with integral apron – less Softgrip handles, right drain	K-1198-RA
6' bath whirlpool with integral apron – Softgrip handles, left drain	K-1194-LA
6' bath whirlpool with integral apron – Softgrip handles, right drain	K-1194-RA

Fixture*:	
Basin area:	
Bathing well	49" (124.5 cm) x 25" (63.5 cm)
Top area	61" (154.9 cm) x 34" (86.4 cm)
Weight	110 lbs (49.9 kg)
To overflow:	
Water depth	14" (35.6 cm)
Capacity	72 gal (272.5 L)
* Approximate measurements for comparison only.	

Pump:	V	Hz	A
1-speed	120	60	7.5

Recommended accessories:	
Adjustable pop-up drain	K-7161-AF

#### Required Electrical Service

Dedicated circuit required, protected with Class A Ground-Fault Circuit-Interrupter (GFCI):	
Pump/control	120 V, 15 A, 60 Hz
Locate the outlet behind the whirlpool and within 24" (61 cm) of the pump.	

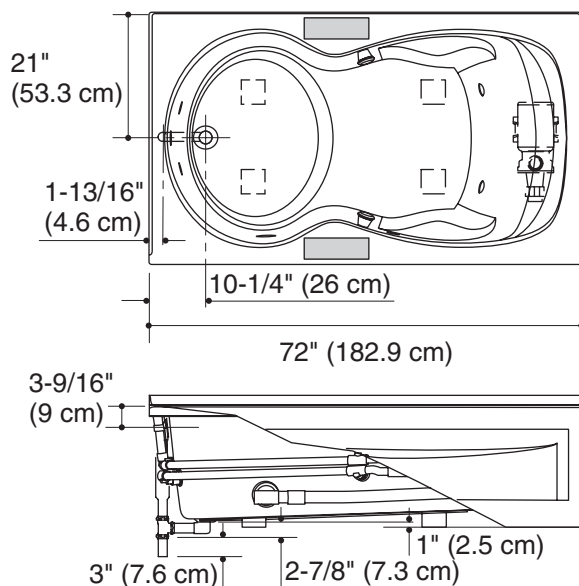
#### Installation Notes

Install this product according to the installation guide.

Floor support under whirlpool must provide for a minimum of 35 lbs/square foot (171 kg/square meter) loading.

If installing a rim-mount faucet, make sure there is no interference with the drain overflow and circulating system before drilling any holes. Consult local and national codes for minimum air gap requirements if installing a spout on the faucet deck.

This fixture conforms to ANSI Standard Z124.1.2. All dimensions are nominal.



No change in measurements if connected with drain illustrated. (K-7161-AF or K-7161M-AF)

Recommended Faucet Area

