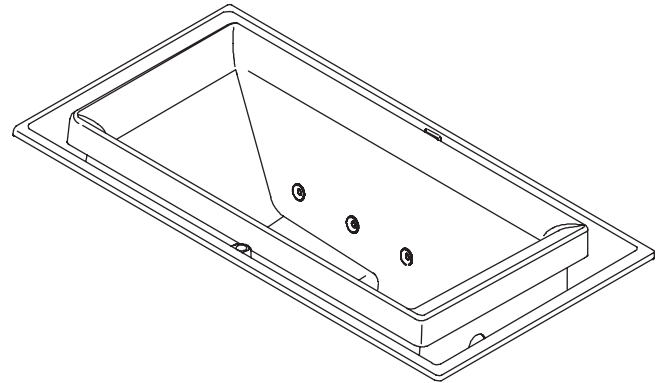


## Features

- *Fiberglass (FRP) with raised molded seat*
- *Cascading water over rim*
- *4 kW 240 V heater*
- *Quiet 240 V pump with automatic shutdown*
- *With optional chromatherapy package*
- *Adjustable bath leveling system*
- *Left or right drain*
- *Effervescent bubbles with 11 ports*
- *Outer shell: 75" (190.5 cm) x 41" (104.1 cm) x 25" (63.5 cm)*
- *Interior rim: 63" (160 cm) x 31-1/2" (80 cm) x 23-1/2" (59.7 cm)*
- *Interior base: 45" (114.3 cm) x 25-1/2" (64.8 cm)*

## OVERFLOWING BATH K-1188-C1 ALSO K-1188-RE, K-1189-C1/-RE



## Codes/Standards Applicable

Specified model meets or exceeds the following:

- *ANSI Z124.1*
- *IAPMO/UPC*
- *Underwriter's Laboratories (UL)*
- *ASME A112.19.7M*

## Colors/Finishes

- 0: White
- Other: Refer to Price Book for additional colors/finishes

## Accessories:

- CP: Polished Chrome
- PB: Polished Brass
- Other: Refer to Price Book for additional colors/finishes

## Specified Model

Model	Description	Colors/Finishes	
K-1188-C1	Right drain - with chromatherapy lights (shown)	<input type="checkbox"/> 0	<input type="checkbox"/> Other_____
K-1188-RE	Right drain	<input type="checkbox"/> 0	<input type="checkbox"/> Other_____
K-1189-C1	Left drain - with chromatherapy lights	<input type="checkbox"/> 0	<input type="checkbox"/> Other_____
K-1189-RE	Left drain	<input type="checkbox"/> 0	<input type="checkbox"/> Other_____

Required Accessory			
K-7193	Drain	<input type="checkbox"/> CP	<input type="checkbox"/> PB <input type="checkbox"/> Other_____

Optional Accessory			
K-1601	Footstop	<input type="checkbox"/> 0	<input type="checkbox"/> Other_____

## Product Specification:

The overflowing bath shall have an outer shell dimension of 75" (190.5 cm) in length, 41" (104.1 cm) in width, and 25" (63.5 cm) in height. Product shall have an interior rim dimension of 63" (160 cm) in length, 31-1/2" (80 cm) in width, and 23-1/2" (59.7 cm) in depth. Product shall have an interior base dimension of 45" (114.3 cm) in length and 25-1/2" (64.8 cm) in width. Product shall be made of fiberglass (FRP) with raised molded seat. Product shall feature cascading water over rim and effervescent bubbles with 11 effervescent ports. Product shall have a 4 kW (240 V) heater, quiet (240 V) pump with shutdown, and an adjustable bath leveling system. Overflowing bath shall be available with left or right drain and optional chromatherapy lights. Overflowing bath shall be Kohler Model K-\_\_\_\_-\_\_\_\_-\_\_\_\_.

### Technical Information

Fixture*:	Basin area bottom	Basin area top
Bathing well	45" (114.3 cm) x 25-1/2" (64.8 cm)	63" (160 cm) x 31-1/2" (80 cm)
Water depth to overflow		23-1/2" (59.7 cm)
Capacity		142 gal (537.5 L)
Weight		275 lbs (124.7 kg)
* Approximate measurements for comparison only.		

Drop-in cut-out	73-1/2" (186.7 cm) x 39-1/2" (100.3 cm)
-----------------	---

Pump	Heater	Voltage	Frequency	Amperage
1.5 hp	4 kW	240 V	50/60 Hz	17 A

### Required Electrical Service (2)

Two dedicated circuits required, each protected with Class A Ground-Fault Circuit-Interrupter (GFCI) or Earth-Leakage Circuit-Breaker (ELCB):	
Pump/control	208-240 V, 20 A, 50/60 Hz
Heater	208-240 V, 20 A, 50/60 Hz

### Installation Notes

Install this product according to the installation guide.

Two separate 240 V electrical services are required; one for the pump/control, and another for the heater.

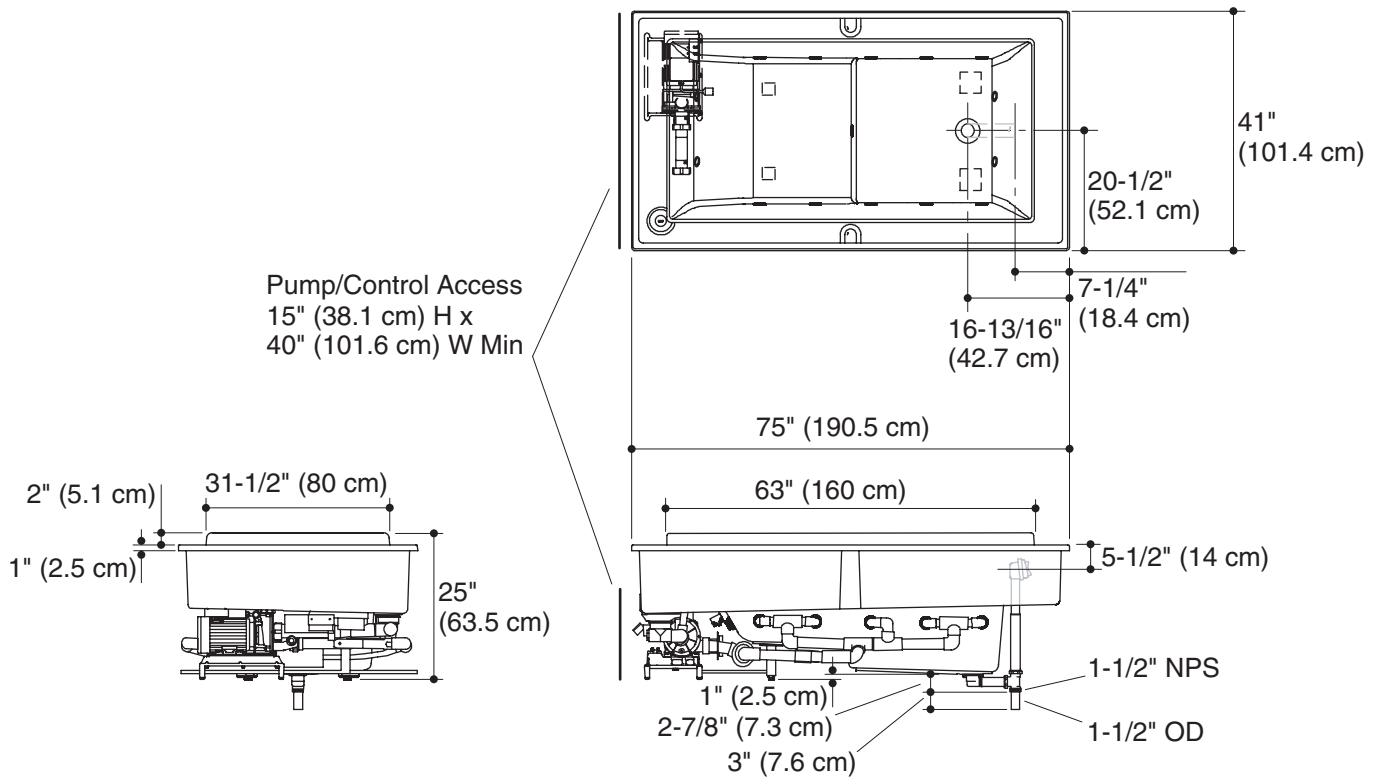
Floor support under the overflowing bath must provide for a minimum of 2000 lbs (907.2 kg).

Consult local and national codes for minimum air gap requirements when installing a spout on the bath deck.

Hot water supply should be 70% of capacity or greater. Installations will vary.

Unit must be filled through the bathing well.

No change in measurements with drain shown. (K-7193 or K-7193M)



**Product Diagram**