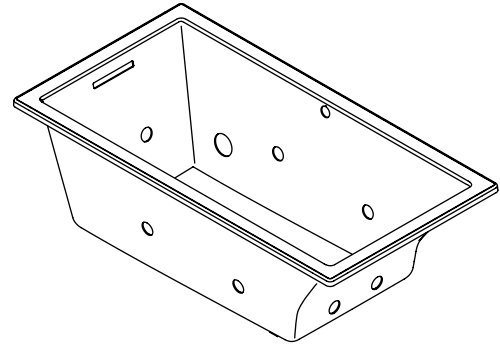


### Features

- Acrylic
- 8 Flexjet™ whirlpool jets
- Drop-in or undermount installation
- Molded lumbar support
- Less all trim
- Variable-speed pump with 1.5kW heater and back-lit user keypad
- 60" (1524 mm) x 32" (813 mm) x 21" (533 mm)

### 5' (1.5 m) BATH WHIRLPOOL K-1168-H2



### Codes/Standards Applicable

Specified model meets or exceeds the following:

- ANSI Z124.1.2
- ASME A112.19.7
- CSA B45.0
- CSA B45.5
- UL 1795
- ASTM E162
- ASTM E662

### Colors/Finishes

- 0: White
- Other: Refer to Price Book for additional colors/finishes

### Accessories

- CP: Polished Chrome
- Other: Refer to Price Book for additional colors/finishes

### Specified Model

Model	Description	Colors/Finishes	
K-1168-H2	5' (1.5 m) bath whirlpool	<input type="checkbox"/> 0	<input type="checkbox"/> Other_____
<b>Required Accessories</b>			
K-7271	Clearflo slotted overflow brass bath drain <b>OR</b>	<input type="checkbox"/> CP	<input type="checkbox"/> Other_____
K-7272	Clearflo slotted overflow bath drain – PVC pipe	<input type="checkbox"/> CP	<input type="checkbox"/> Other_____
K-9698	Jet trim kit	<input type="checkbox"/> CP	<input type="checkbox"/> Other_____
<b>Optional Accessories</b>			
K-590	Undermount kit	<input type="checkbox"/> NA	
K-1491	Pillow	<input type="checkbox"/> 0	<input type="checkbox"/> Other_____
K-1601	Footstop	<input type="checkbox"/> 0	
K-1703	Remote control	<input type="checkbox"/> NA	
K-9497	2-1/2" (64 mm) metal finish keypad trim	<input type="checkbox"/> CP	<input type="checkbox"/> PB
			<input type="checkbox"/> Other_____

### Product Specification

The acrylic bath whirlpool shall be 60" (1524 mm) in length, 32" (813 mm) in width, and 21" (533 mm) in height. Product shall have 8 Flexjet™ whirlpool jets. Product shall be for drop-in or undermount installation. Product shall have molded lumbar supports. Product shall be less all trim. Product shall have variable-speed pump with 1.5 kW heater and back-lit user keypad. Bath whirlpool shall be Kohler Model K-1168-H2-\_\_\_\_\_.

# UNDERSCORE®

## Technical Information

Fixture*:	
Bathing well:	
Basin area, bottom	42" (1067 mm) x 23-1/2" (597 mm)
Basin area, top	55-1/8" (1400 mm) x 27-1/8" (689 mm)
Weight	125 lbs (56.7 kg)
To overflow:	
Water depth	17-1/8" (435 mm)
Capacity	81 gal (306.6 L)
* Approximate measurements for comparison only.	

Drop-in cut-out	59-1/2" (1511 mm) x 31-1/2" (800 mm)
-----------------	--------------------------------------

Pump:	Kw	V	Hz	A
Variable-speed	1.5	240	50/60	11

## Required Electrical Service

Dedicated circuit required, protected with a Class A Ground-Fault Circuit-Interrupter (GFCI) or Residual Current Device (RCD):

Pump/control	220-240 V, 20 A, 50/60 Hz
--------------	---------------------------

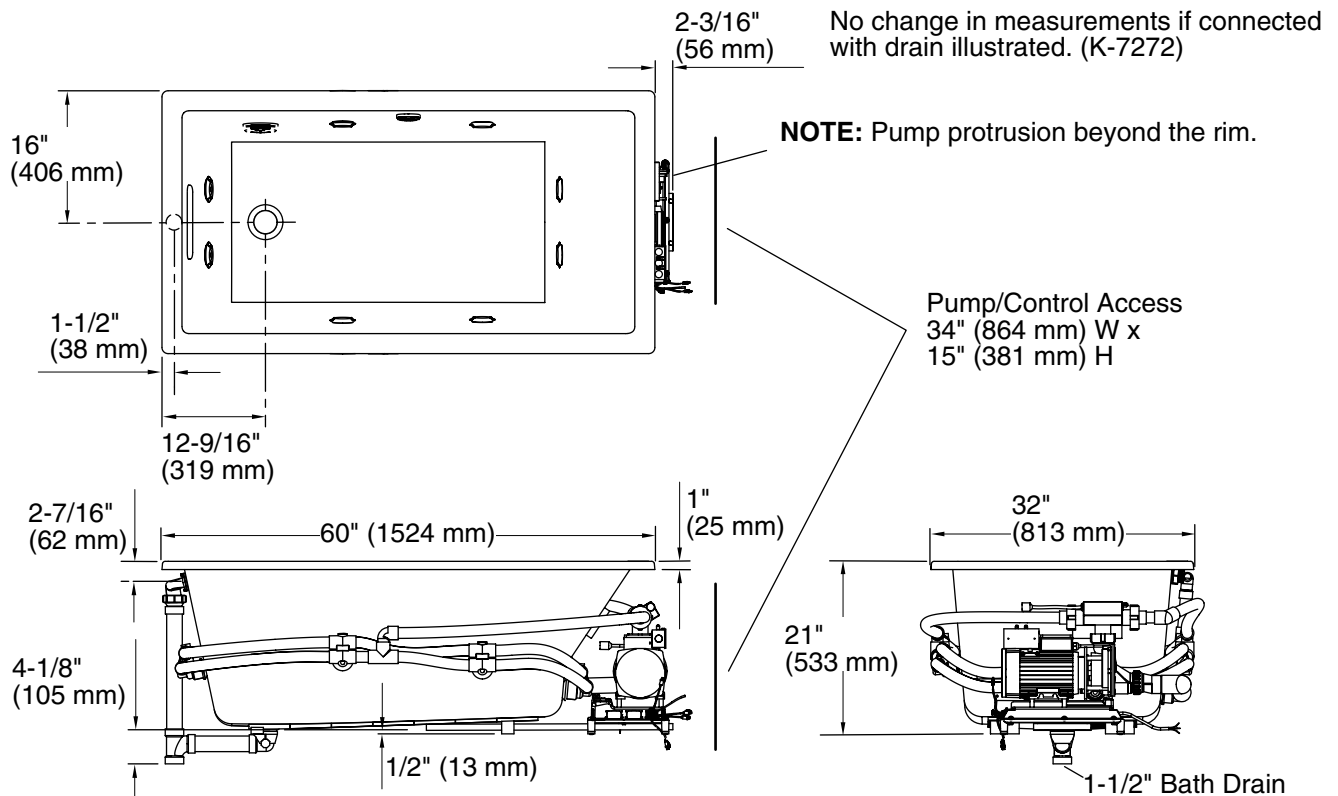
## Installation Notes

Install this product according to the installation guide.

Hot water supply should be 70% of capacity or greater.

A pump motor/control access panel required.

Floor support under the bath must provide for a minimum of 62 lbs/square foot (302.5 kg/square meter) loading.



## Product Diagram

UNDERSCORE® 5' (1.5 m) BATH WHIRLPOOL

Page 2 of 2  
1167571-4-B

THE BOLD LOOK  
OF **KOHLER**®