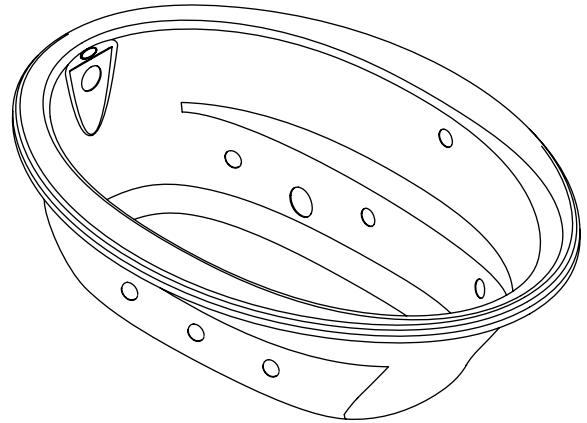


Features

- Acrylic
- Oval shape
- Drop-in
- 6 individually adjustable ProFlex® hydro-massage jets
- Pump with air switch and grounding-type plug-in cord
- In-line heater
- Molded lumbar supports and armrests
- Optional K-9696 whirlpool trim kit in various finishes
- Textured bottom surface
- 60" (152.4 cm) x 42" (106.7 cm) x 21" (53.3 cm)

BATH WHIRLPOOL WITH HEATER K-1162-H



Codes/Standards Applicable

Specified model meets or exceeds the following:

- ANSI Z124.1.2
- ASME A112.19.7
- UL 1795
- ASTM E162
- ASTM E662

Colors/Finishes

- 0: White
- Other: Refer to Price Book for additional colors/finishes

Accessories

- 0: White
- CP: Polished Chrome
- PB: Vibrant® Polished Brass
- Other: Refer to Price Book for additional colors/finishes

Specified Model

Model	Description	Colors/Finishes		
K-1162-H	Bath whirlpool with heater	<input type="checkbox"/> 0	<input type="checkbox"/> Other_____	
Recommended Accessories				
K-7213	Clearflo bath cable drain with PVC tubing	<input type="checkbox"/> CP		<input type="checkbox"/> Other_____
K-7214	Clearflo bath cable drain without PVC tubing	<input type="checkbox"/> CP		<input type="checkbox"/> Other_____
K-11677	Adjustable trip lever drain	<input type="checkbox"/> CP	<input type="checkbox"/> PB	
Optional Accessories				
K-9696	Jet trim kit (metal finishes)	<input type="checkbox"/> 0	<input type="checkbox"/> CP	<input type="checkbox"/> Other_____

Product Specification

The drop-in oval shaped bath whirlpool shall be made of acrylic. Product shall be 60" (152.4 cm) in length, 42" (106.7 cm) in width, and 21" (53.3 cm) in height. Product shall have 6 individually adjustable ProFlex hydro-massage jets, a pump with air switch and grounding-type plug-in cord, and an in-line heater. Product shall have a textured bottom surface and molded lumbar supports and armrests. Product shall have optional K-9696 whirlpool trim kit in various finishes. Bath whirlpool shall be Kohler Model K-1162-H-_____.

SUNWARD®

Technical Information

Fixture*:	
Bathing well:	
Basin area, bottom	43" (109.2 cm) x 21-9/16" (54.8 cm)
Basin area, top	53-1/2" (135.9 cm) x 32-1/8" (81.6 cm)
Weight	110 lbs (50 kg)
To overflow:	
Water depth	15" (38.1 cm)
Capacity	57 gal (215.9 L)
* Approximate measurements for comparison only.	

Included components:	
Cut-out template	1042556-7

Pump:	V	Hz	A	
1-speed	120	60	7.5	
Heater:	kW	V	Hz	A
	1.5	120	60	12.5

Minimum access panel pump/control:

20" (50.8 cm) W x 15" (38.1 cm) H	required
-----------------------------------	----------

Required Electrical Service

Two dedicated circuits are required, each protected with a Class A Ground-Fault Circuit-Interrupter (GFCI):	
Pump/control	120 V, 15 A, 60 Hz
Heater	120 V, 15 A, 60 Hz
Locate the outlets behind the whirlpool and within 24" (61 cm) of the pump and heater.	

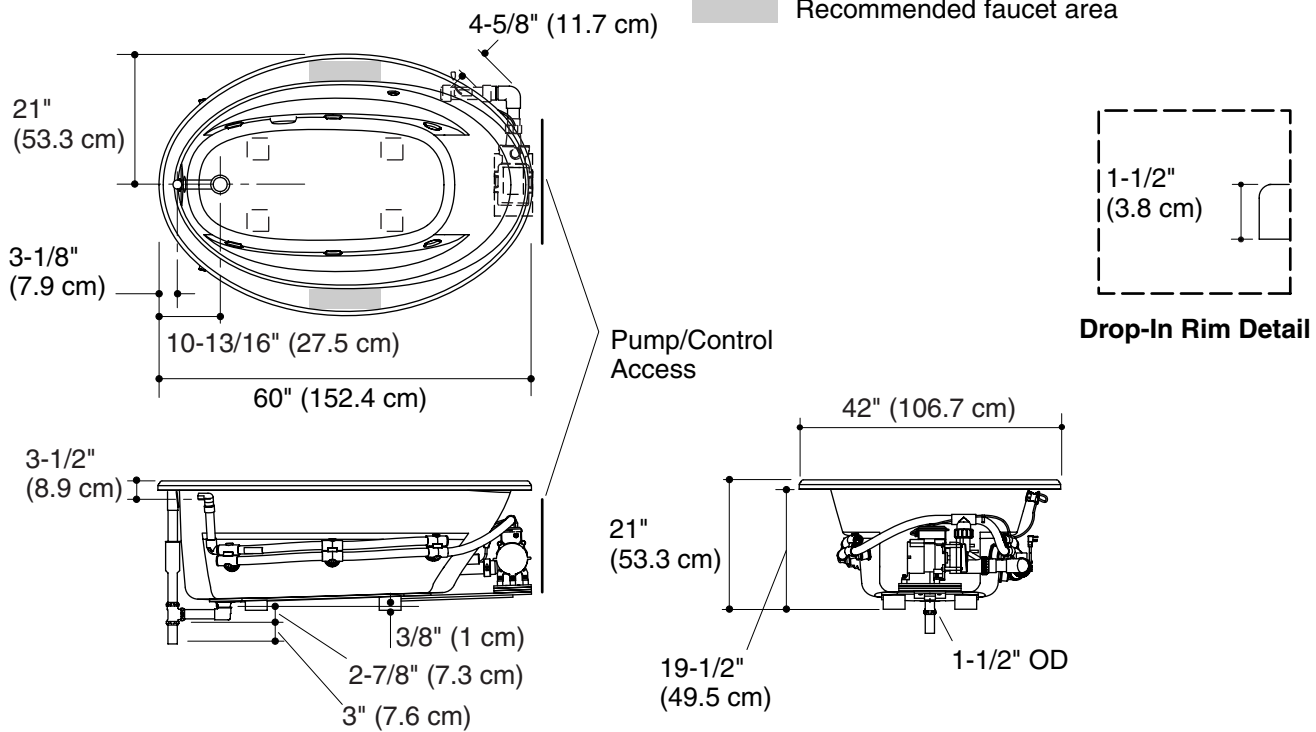
Installation Notes

Install this product according to the installation guide.

Floor support under whirlpool must provide for a minimum of 35 lbs/square foot (170 kg/square meter) loading.

The suction line extends 4-5/8" (11.7 cm) beyond the edge of the rim. The pump base extends 1/8" (3.3 mm) beyond the edge of the rim. Modify the framing as needed.

No change in measurements if connected with drain illustrated. (K-11677 or K-11677M)



Product Diagram