

### Features

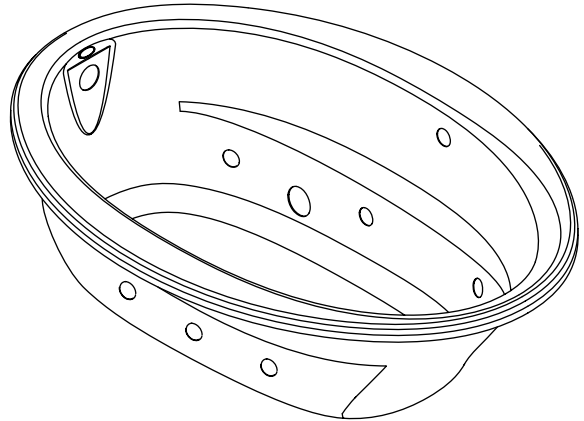
- Acrylic
- Oval shape
- Drop-in
- 1-1/4 hp pump with air switch and grounding-type plug-in cord
- Molded lumbar supports and armrests
- 6 individually adjustable ProFlex™ hydro-massage jets
- 60" (152.4 cm) x 42" (106.7 cm) x 21" (53.3 cm)

### Codes/Standards Applicable

Specified model meets or exceeds the following:

- ANSI Z124.1
- IAPMO/UPC
- Underwriter's Laboratories (UL)
- ASME A112.19.7M

## 5' BATH WHIRLPOOL WITH CUSTOM PUMP K-1162-CB



### Colors/Finishes

- 0: White
- Other: Refer to Price Book for additional colors/finishes

### Accessories:

- CP: Polished Chrome
- Other: Refer to Price Book for additional colors/finishes
- NA: None applicable

### Specified Model

Model	Description	Colors/Finishes	
K-1162-CB	Whirlpool, custom pump (top view shown)	<input type="checkbox"/> 0 White	<input type="checkbox"/> Other _____
<b>Recommended Accessory</b>			
K-11677	Drain	<input type="checkbox"/> CP	
<b>Optional Accessories</b>			
K-9696	Jet trim kit (metal finishes)	<input type="checkbox"/> CP	<input type="checkbox"/> Other _____

### Product Specification:

The oval shaped bath whirlpool shall be 60" (152.4 cm) in length, 42" (106.7 cm) in width, and 21" (53.3 cm) in height. Drop-in bath whirlpool shall be made of acrylic. Bath whirlpool shall have 6 individually adjustable ProFlex™ hydro-massage jets, 1-1/4 hp pump with air switch and grounding-type plug-in cord. Bath whirlpool shall have molded lumbar supports and armrests. Bath whirlpool shall be Kohler Model K-1162-CB-\_\_\_\_\_.

# SUNWARD™

## Technical Information

Fixture:*	basin area	top area	weight
Bathing well	43" (109.2 cm) x 24-5/8" (62.5 cm)	53-1/2" (135.9 cm) x 32-1/8" (81.6 cm)	110 lbs. (50 kg)
	water depth	capacity	
To overflow	15" (38.1 cm)	57 gal. (215.9 L)	

\* Approximate measurements for comparison only.

Pump:	HP	V	Hz	A
1-Speed	1-1/4	120	60	7.5
Minimum access panel pump/control:				
20" (50.8 cm) W x 15" (38.1 cm) H				required

Included Components:	
Cut-out template	1042556-7

## Required Electrical Service

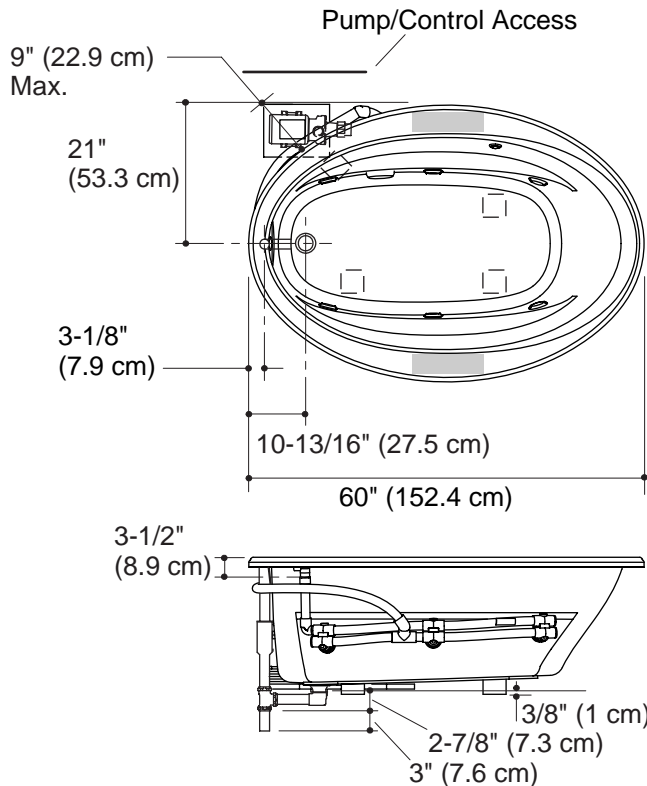
Dedicated circuit required, each protected with Class A Ground-Fault Circuit-Interrupter (GFCI):	
Pump/control	120 V, 15 A, 60 Hz
Locate the outlet behind the whirlpool and within 24" (61 cm) of the pump.	

## Installation Notes

Install this product according to the installation guide.

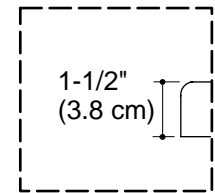
Floor support under whirlpool must provide for a minimum of 80 lbs./square foot (390 kg/square meter) loading.

The pump extends 9" (22.9 cm) beyond the edge of rim. Modify the framing as needed.

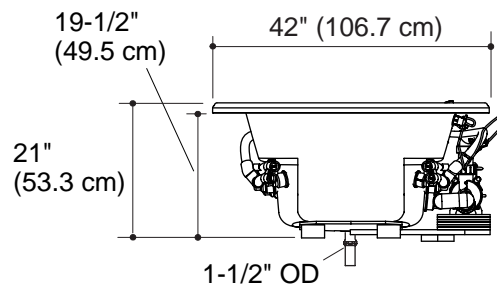


No change in measurements if connected with drain illustrated. (K-11677 or K-11677M)

Recommended faucet area



Drop-In Rim Detail



## Product Diagram