

Product Information

| | |
|---------------------------------|------------|
| Applicable product: | |
| Bath with airjets – left drain | K-1112-GLF |
| Bath with airjets – right drain | K-1112-GRF |

| | |
|---|--|
| Fixture*: | |
| Bathing well: | |
| Basin area, bottom | 43" (109.2 cm) x 20-1/2" (52.1 cm) |
| Basin area, top | 53-1/2" (135.9 cm) x 32-1/8" (81.6 cm) |
| Weight | 110 lbs (50 kg) |
| To overflow: | |
| Water depth | 15" (38.1 cm) |
| Capacity | 57 gal (215.9 L) |
| * Approximate measurements for comparison only. | |

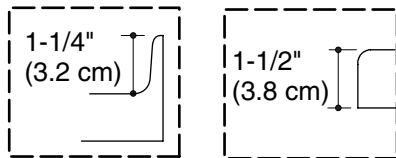
| | |
|---|--|
| Drop-in cutout dimensions: | |
| 58-1/2" (148.6 cm) x 40-1/2" (102.9 cm) | |

| | | | | |
|--------------|--------|-----|----|---|
| Blower motor | Heater | V | Hz | A |
| | 300 W | 120 | 60 | 5 |

| | |
|------------------------------------|----------|
| Minimum access panel blower motor: | |
| 20" (50.8 cm) W x 15" (38.1 cm) H | required |

No change in measurements if connected with drain illustrated. (K-11677 or K-11677M)

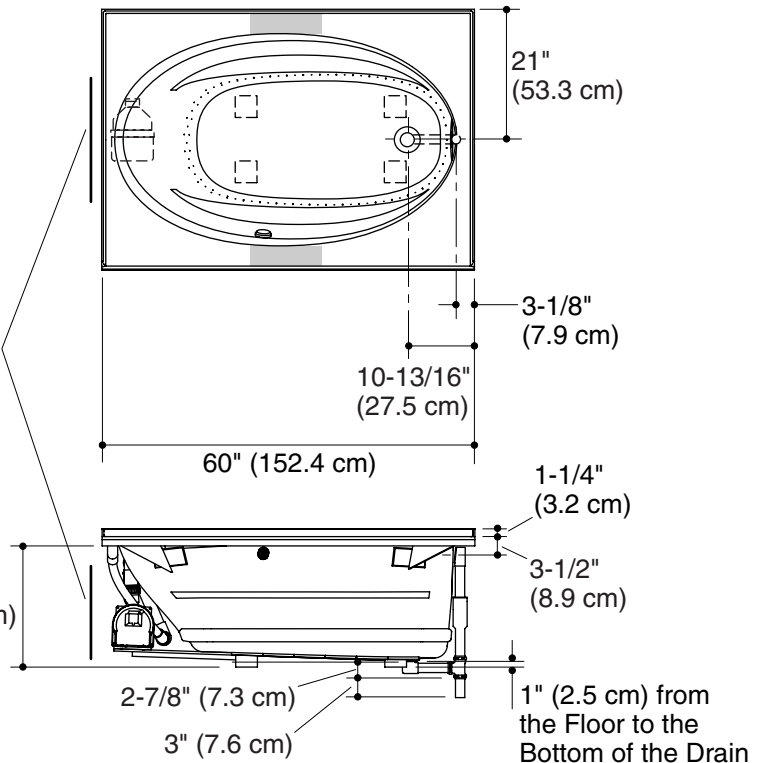
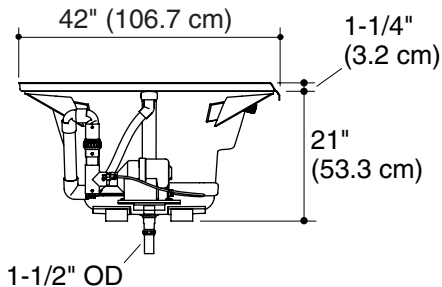
Recommended faucet area



Tile Flange Detail

Drop-In Rim Detail

Blower/Control Access
20" (50.8 cm) W x
15" (38.1 cm) H Min



Required Electrical Service

| | |
|---|-------------------|
| Dedicated circuit required, protected with a Class A Ground-Fault Circuit-Interrupter (GFCI): | |
| Pump/control | 120 V, 5 A, 60 Hz |
| Locate the outlet behind the bath and within 24" (61 cm) of the pump. | |

Installation Notes

Install this product according to the installation guide.

Floor support under this product must provide for a minimum of 35 lbs/square foot (171 kg/square meter) loading.

If installing a rim-mount faucet, make sure there is no interference with the drain overflow and circulating system before drilling any holes. Consult local and national codes for minimum air gap requirements if installing a spout on the faucet deck.

Consult local and national codes for minimum air gap requirements if installing a spout on the faucet deck.

Fixture conforms to ANSI Standard Z124.1.2. All dimensions are nominal.