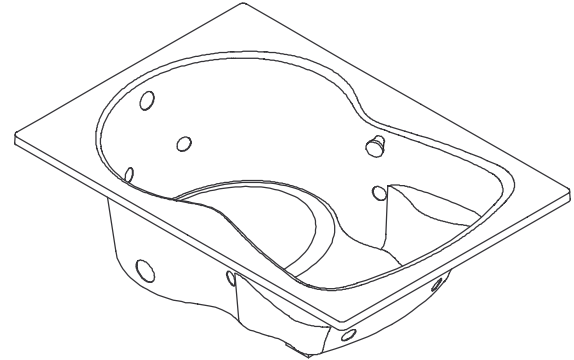


### FEATURES

- 60" (152.4cm) x 42" (106.7cm) x 20" (50.8cm)
- Acrylic
- Drop-in rim style
- 6 individually adjustable multi-directional hydro-massage jets
- 1-1/4 HP pump with air switch and cord with plug
- In-line heater
- UL Listed
- With (K-1196-HB) or without (K-1192-HB) Softgrip grip handles
- Optional K-1278 front apron
- Optional K-1491 removable pillow
- Optional K-1639 timer kit

### 5' CUSTOM BATH WHIRLPOOL WITH HEATER

## K-1192-HB, K-1196-HB



### CODES/STANDARDS APPLICABLE

Specified model meets or exceeds the following:

- ANSI Z124.1
- ASME/ANSI A112.19.7M
- IAPMO/UPC
- Underwriters Laboratories (UL)

### COLORS/FINISHES

- 0 White
- Other Refer to Fixtures Price Book for additional colors

#### Accessories:

- CP Polished Chrome
- PB Polished Brass
- NA None Applicable
- Other Refer to Price Book for additional finishes

### SPECIFIED MODEL:

Model	Description	Colors/Finishes	
K-1192-HB	Whirlpool less Softgrip grip handles, custom pump	<input type="checkbox"/> 0 White	<input type="checkbox"/> Other_____
K-1196-HB	Whirlpool with Softgrip grip handles, custom pump (shown)	<input type="checkbox"/> 0 White	<input type="checkbox"/> Other_____

Recommended Accessories			
K-7161-AF	Drain	<input type="checkbox"/> CP	<input type="checkbox"/> PB <input type="checkbox"/> Other_____

Optional Accessories			
K-1278	Apron (removable)	<input type="checkbox"/> 0 White	<input type="checkbox"/> Other_____
K-9696	Jet trim kit (metal finishes)	<input type="checkbox"/> CP <input type="checkbox"/> PB	<input type="checkbox"/> Other_____
K-1491	Pillow	<input type="checkbox"/> 0 White	<input type="checkbox"/> Other_____
K-1639	Timer Kit		<input type="checkbox"/> NA

### PRODUCT SPECIFICATION:

The bath whirlpool shall be 60" (152.4cm) in length, 42" (106.7cm) in width, and 20" (50.8cm) in height. Bath whirlpool shall be made of acrylic, drop-in rim style. Bath whirlpool shall have 6 individually adjustable multi-directional hydro-massage jets, 1-1/4 HP pump with air switch and cord with plug and in-line heater with cord and plug. Bath whirlpool shall be UL Listed. Bath whirlpool shall be with (K-1196-HB) or without (K-1192-HB) Softgrip grip handles. Bath whirlpool shall have optional K-1278 front apron. Bath whirlpool shall have optional K-1491 removable pillow. Bath whirlpool shall have optional K-1639 timer kit. Bath whirlpool shall be Kohler Model K-\_\_\_\_\_-\_\_\_\_\_.

# SYNCHRONY™

## PRODUCT INFORMATION

Fixture*:	basin area	top area	weight
Bathing well	42" (106.7cm) x 25" (63.5cm)	52" (132.1cm) x 34" (86.4cm)	110 lbs. (49.9kg)
	water depth	capacity	
To overflow	14" (35.6cm)	63 gal. (238.5L)	

\* Approximate measurements for comparison only.

Pump:	HP	V	Hz	A
1-speed	1-1/4	120	60	7.5
Heater:	kw	V	Hz	A
	1.5	120	60	12.5

## REQUIRED ELECTRICAL SERVICE

Two dedicated circuits required, each protected with Class A Ground-Fault Circuit-Interrupter (GFCI):	
Pump/control	120 V, 15 A, 60 Hz
Heater	120V, 15A, 60 Hz
Locate the outlets behind the whirlpool and within 24" (61cm) of the pump and heater.	

## INSTALLATION NOTES

Install this product according to the installation guide.

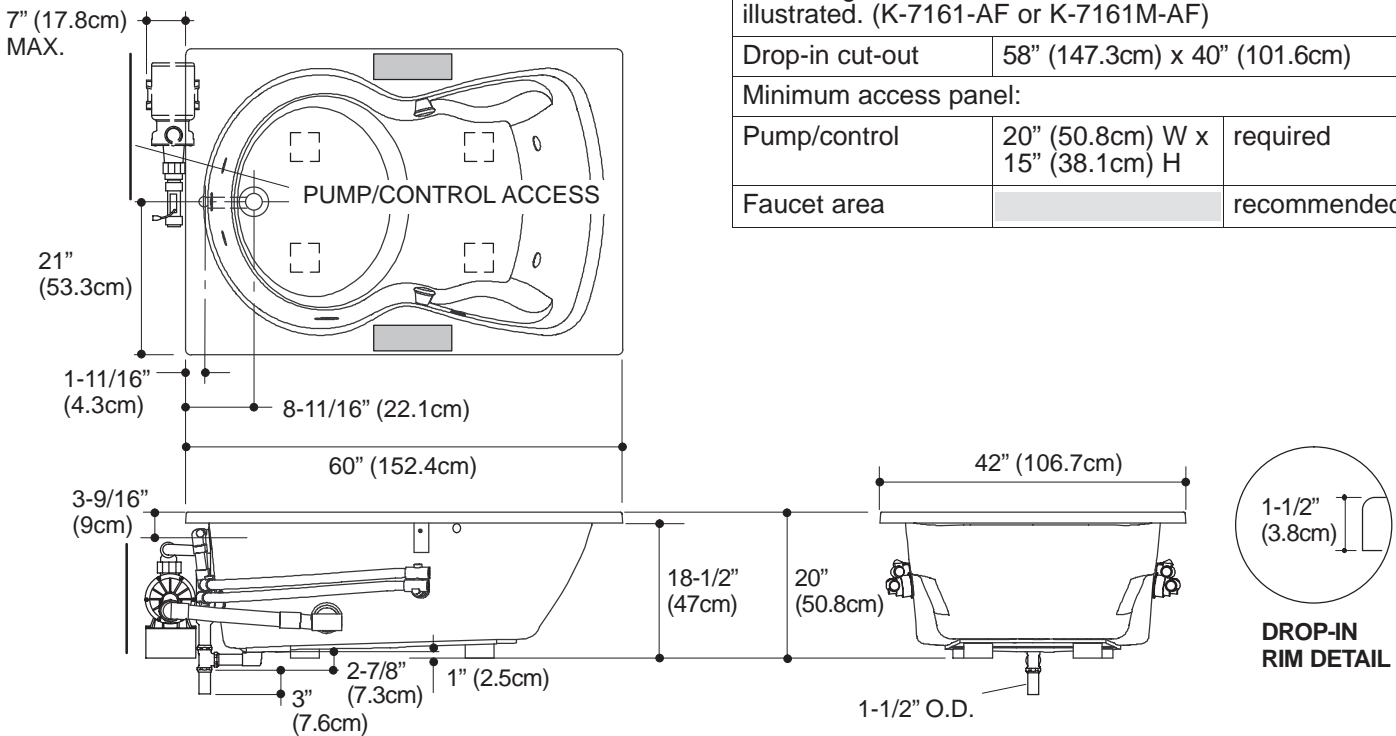
Floor support under whirlpool must provide for a minimum of 80 lbs./square foot (390 Kg./square meter) loading.

If installing a rim-mount faucet, make sure there is no interference with drain overflow and circulating system before drilling any holes. Consult local and national codes for minimum air gap requirements if installing a spout on the faucet deck.

The apron must be installed before the finish floor and wall materials are installed.

Pump must be relocated to custom position at the time of installation. Provide adequate clearance.

No change in measurements if connected with drain illustrated. (K-7161-AF or K-7161M-AF)	
Drop-in cut-out	58" (147.3cm) x 40" (101.6cm)
Minimum access panel:	
Pump/control	20" (50.8cm) W x 15" (38.1cm) H required
Faucet area	recommended



## PRODUCT DIAGRAM