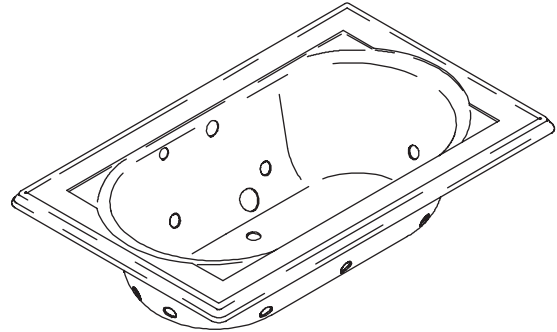


### Features

- Acrylic
- 1.5 hp variable-speed pump with 1.5 kW heater and back-lit user keypad
- 8 Flexjets™
- Less all trim
- 66" (167.6 cm) x 42" (106.7 cm) x 22" (55.9 cm)

### 5.5' BATH WHIRLPOOL K-1170-H2



### Codes/Standards Applicable

Specified model meets or exceeds the following:

- ANSI Z124.1.2
- ASME A112.19.7M
- IAPMO/UPC
- Underwriters Laboratories (UL)

### Colors/Finishes

- 0: White
- Other: Refer to Price Book for additional colors/finishes

### Accessories

- CP: Polished Chrome
- PB: Vibrant® Polished Brass
- NA: None applicable
- Other: Refer to Price Book for additional colors/finishes

### Specified Model

Model	Description	Colors/Finishes	
K-1170-H2	Bath whirlpool	<input type="checkbox"/> 0	<input type="checkbox"/> Other_____
<b>Required Accessories</b>			
K-9698	Jet trim kit	<input type="checkbox"/> CP	<input type="checkbox"/> PB <input type="checkbox"/> Other_____
<b>Recommended Accessories</b>			
K-7161-AF	Pop-up drain	<input type="checkbox"/> CP	<input type="checkbox"/> PB <input type="checkbox"/> Other_____
<b>Optional Accessories</b>			
K-1491	Pillow	<input type="checkbox"/> 0	<input type="checkbox"/> Other_____
K-1601	Footstop	<input type="checkbox"/> 0	<input type="checkbox"/> Other_____
K-1703	Remote control		<input type="checkbox"/> NA

### Product Specification

The acrylic bath whirlpool shall be 66" (167.6 cm) in length, 42" (106.7 cm) in width, and 22" (55.9 cm) in height. Bath whirlpool shall have 8 Flexjets, a 1.5 hp variable-speed pump, a 1.5 kW heater, and back-lit user keypad. Bath whirlpool shall be less all trim. Bath whirlpool shall be Kohler Model K-1170-H2-\_\_\_\_\_.

# MEMOIRS®

## Technical Information

Fixture*:	
Basin area:	
Bathing well	42" (106.7 cm) x 27" (68.6 cm)
Top area	54" (137.2 cm) x 30" (76.2 cm)
To overflow:	
Water depth	16" (40.6 cm)
Capacity	81 gal (306.6 L)
Weight	134 lbs (60.8 kg)
Drop-in cut-out	64-1/2" (163.8 cm) x 40-1/2" (102.9 cm)
* Approximate measurements for comparison only.	

Pump:	kW	V	Hz	A
1.5 hp	1.5	240	50/60	11

## Required Electrical Service

Dedicated circuit required, protected with Class A Ground-Fault Circuit-Interrupter (GFCI) or Earth-Leakage Circuit-Breaker (ELCB):

Pump/control	220/240 V, 20 A, 50/60 Hz
--------------	---------------------------

## Installation Notes

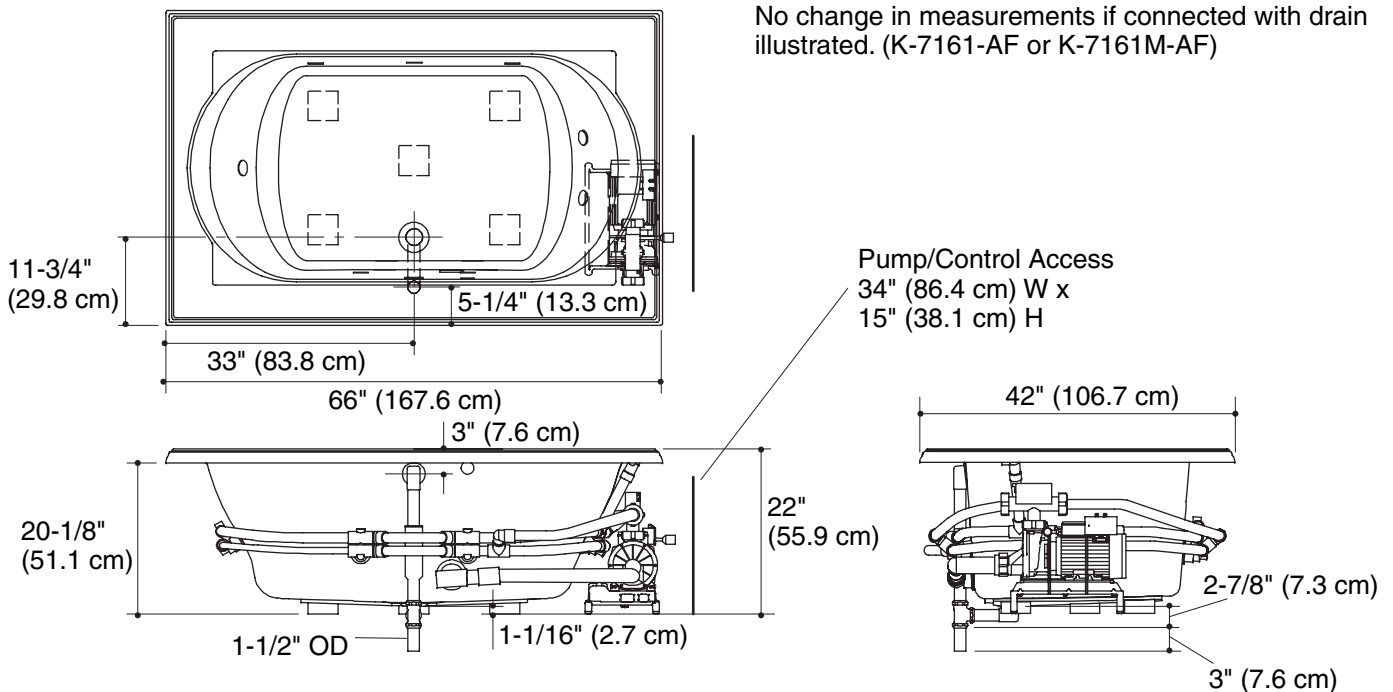
Install this product according to the installation guide.

Floor support under whirlpool must provide for a minimum of 44 lbs/square foot (212 kg/square meter) loading.

Hot water supply should be 70% of capacity or greater. Installations will vary.

If installing a rim-mount faucet, make sure there is no interference with drain overflow and circulating system before drilling any holes. Consult local and national codes for minimum air gap requirements if installing a spout on the faucet deck.

This whirlpool is designed for drop-in installation only. It is not suited for use in a three wall alcove with an overhead shower.



## Product Diagram