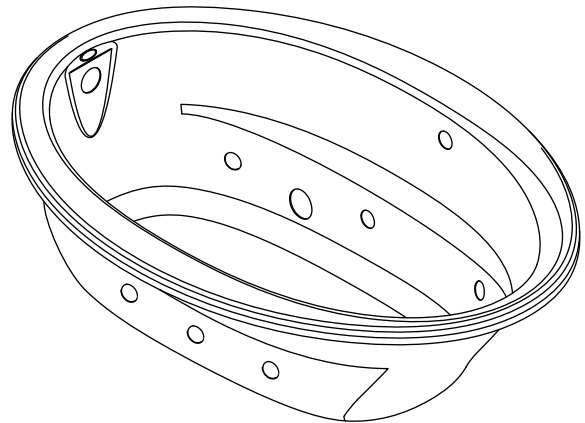


### BATH WHIRLPOOL K-1162-S1CB

#### Features

- Acrylic
- Oval shape
- Drop-in
- Pump with air switch and grounding-type plug-in cord
- Molded lumbar supports and armrests
- 6 individually adjustable ProFlex® hydro-massage jets
- Optional K-9696 whirlpool trim kit in various finishes
- Custom pump locations
- 60" (1524 mm) x 42" (1067 mm) x 20" (508 mm)



#### Codes/Standards Applicable

Specified model meets or exceeds the following:

- ASME A112.19.7
- UL 1795
- CSA B45.5/IAPMO Z124

#### Colors/Finishes

- 0: White
- Other: Refer to Price Book for additional colors/finishes

#### Accessories

- CP: Polished Chrome
- PB: Vibrant® Polished Brass
- Other: Refer to Price Book for additional colors/finishes

#### Specified Model

Model	Description	Colors/Finishes	
K-1162-S1CB	Bath whirlpool – custom pump (top view shown)	<input type="checkbox"/> 0	<input type="checkbox"/> Other_____

Recommended Accessories				
K-7213	Clearflo bath cable drain with PVC tubing	<input type="checkbox"/> CP		<input type="checkbox"/> Other_____
K-7214	Clearflo bath cable drain without PVC tubing	<input type="checkbox"/> CP		<input type="checkbox"/> Other_____
K-11677	Adjustable trip lever drain	<input type="checkbox"/> CP	<input type="checkbox"/> PB	

Optional Accessories				
K-9696	Jet trim kit (metal finishes)	<input type="checkbox"/> 0	<input type="checkbox"/> CP	<input type="checkbox"/> Other_____

#### Product Specification

The drop-in oval shaped bath whirlpool shall be made of acrylic. Product shall be 60" (1524 mm) in length, 42" (1067 mm) in width, and 20" (508 mm) in height. Product shall have 6 individually adjustable ProFlex hydro-massage jets, a pump with air switch, and a grounding-type plug-in cord. Product shall have custom pump locations and molded lumbar supports and armrests. Product shall have optional K-9696 whirlpool trim kit in various finishes. Bath whirlpool shall be Kohler Model K-1162-S1CB-\_\_\_\_\_.

# SUNWARD®

## Technical Information

Fixture*:			
Bathing well:			
Basin area, bottom	43" (1092 mm) x 21-9/16" (548 mm)		
Basin area, top	53-1/2" (1359 mm) x 32-1/8" (816 mm)		
Weight	110 lbs (50 kg)		
To overflow:			
Water depth	15" (381 mm)		
Capacity	57 gal (215.9 L)		
* Approximate measurements for comparison only.			
Included components:			
Cut-out template	1042556-7		
Pump:	V	Hz	A
1-speed	120	60	7.5
Minimum access panel pump/control:			
20" (508 mm) W x 15" (381 mm) H	required		

## Required Electrical Service

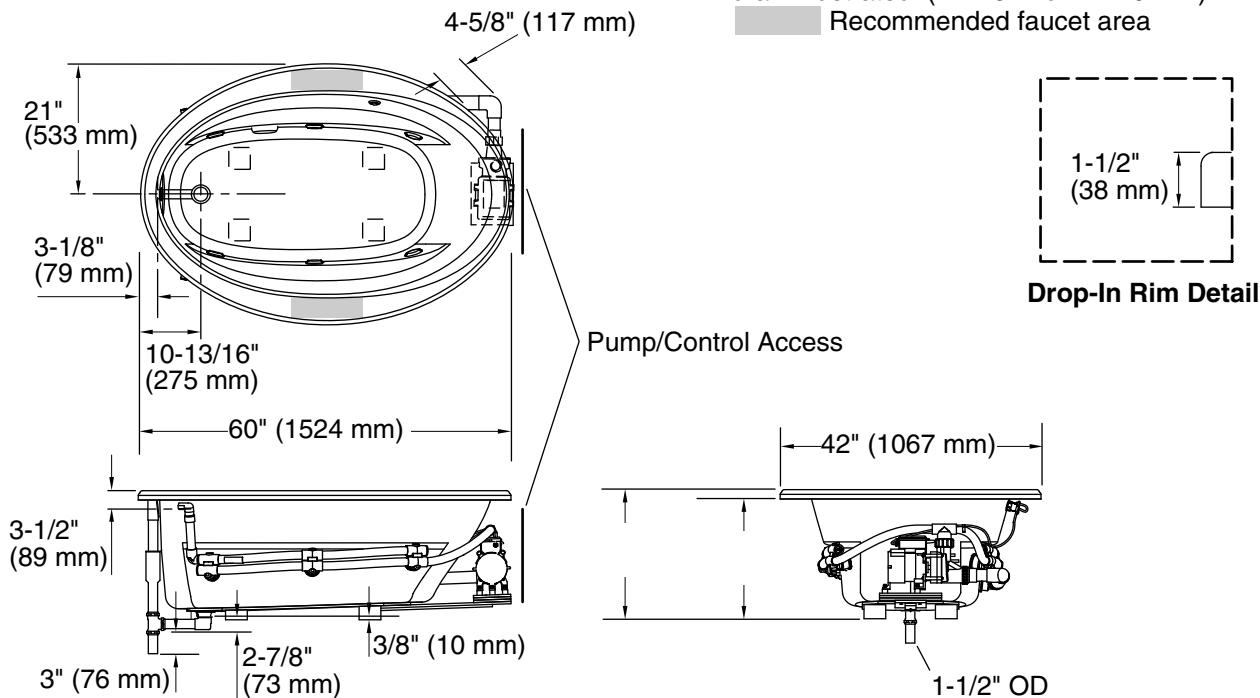
Dedicated circuit required, protected with Class A Ground-Fault Circuit-Interrupter (GFCI):	
Pump/control	120 V, 15 A, 60 Hz
Locate the outlet behind the whirlpool and within 24" (610 mm) of the pump.	

## Installation Notes

Install this product according to the installation guide.

Floor support under whirlpool must provide for a minimum of 35 lbs/square foot (171 kg/square meter) loading.

The pump extends 9" (229 mm) beyond the edge of rim. Modify the framing as needed.



## Product Diagram