

KOHLER® Roughing-In

K-1131, K-1131-F PROFLEX® 7242 BATH WHIRLPOOL

Product Information

Applicable product:	
Bath whirlpool – drop-in style rim	K-1131
Bath whirlpool – tile-in flange on three sides for alcove installation	K-1131-F

Fixture*:	
Basin area	
Basin area, bottom	53" (134.6 cm) x 26" (66 cm)
Basin area, top	65" (165.1 cm) x 34" (86.4 cm)
Weight	70 lbs (31.8 kg)
To overflow	
Water depth	15" (38.1 cm)
Capacity	78 gal (295.3 L)
* Approximate measurements for comparison only.	

Drop-in cut-out	70-1/2" (179.1 cm) x 40-1/2" (102.9 cm)
-----------------	--

Pump:	V	Hz	A
1-speed	120	60	7.5
Minimum access panel:	20" (50.8 cm) x 15" (38.1 cm)		required

Recommended accessories:	
Swiftflo™ bath drain	K-11677

Optional accessories:	
Removable apron	K-1283
Pillow	K-1491

Required Electrical Service

Dedicated circuit protected with a Class A Ground-Fault Circuit-Interrupter (GFCI) is required:	
Pump/control	120 V, 15 A, 60 Hz
Locate the outlet behind the whirlpool and within 24" (61 cm) of the pump.	

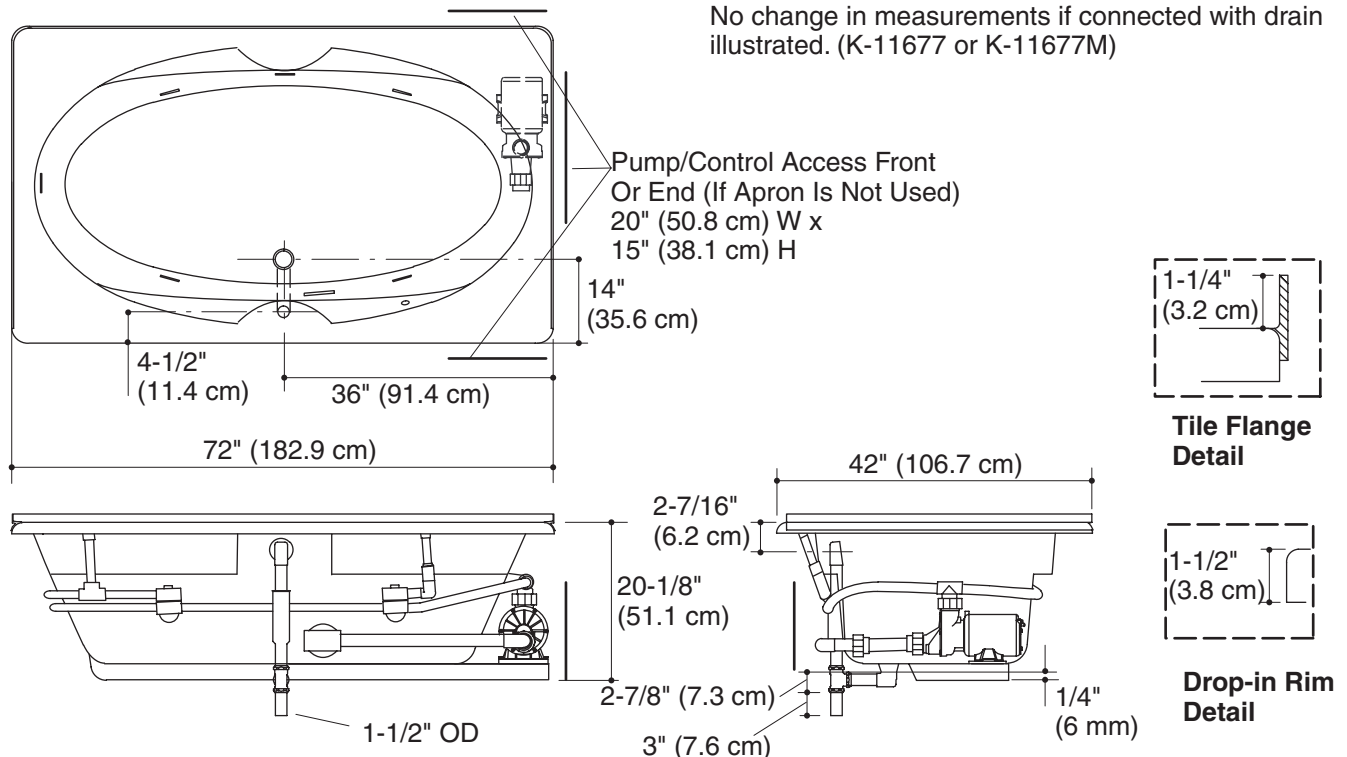
Installation Notes

Install this product according to the installation guide.

Floor support under whirlpool must provide for a minimum of 36 lbs/square foot (164 kg/square meter) floor loading.

The apron must be installed before the finished floor and wall materials.

This fixture conforms to ANSI Standard Z124.1.2. All dimensions are nominal.



No change in measurements if connected with drain illustrated. (K-11677 or K-11677M)