

KOHLER® Roughing-In

K-1114-GLF, K-1114-GRF WINDWARD™ BATH WITH AIRJETS

Product Information

Applicable product:									
Bath with airjets – left drain	K-1114-GLF								
Bath with airjets – right drain	K-1114-GRF								
Fixture*:									
Bathing well:									
Basin area bottom	55" (139.7 cm) x 23-1/4" (59.1 cm)								
Basin area top	64" (162.6 cm) x 32" (81.3 cm)								
Weight	132 lbs (60 kg)								
To overflow:									
Water depth	15" (38.1 cm)								
Capacity	78.5 gal (297 L)								
* Approximate measurements for comparison only.									
Drop-in cutout dimensions:									
70-1/2" (179.1 cm) x 40-1/2" (102.9 cm)									
Blower motor	<table border="1"> <tr> <th>Heater</th> <th>V</th> <th>Hz</th> <th>A</th> </tr> <tr> <td>300 W</td> <td>120</td> <td>60</td> <td>5</td> </tr> </table>	Heater	V	Hz	A	300 W	120	60	5
Heater	V	Hz	A						
300 W	120	60	5						

Minimum access panel blower motor:	
20" (50.8 cm) W x 15" (38.1 cm) H	required

Required Electrical Service

Dedicated circuit required, protected with a Class A Ground-Fault Circuit-Interrupter (GFCI):	
Pump/control	120 V, 5 A, 60 Hz
Locate the outlet behind the bath and within 24" (61 cm) of the pump.	

Installation Notes

Install this product according to the installation guide.

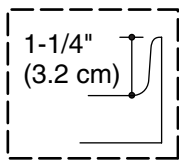
Floor support under this product must provide for a minimum of 39 lbs/square foot (190 kg/square meter) loading.

If installing a rim-mount faucet, make sure there is no interference with the drain overflow and circulating system before drilling any holes. Consult local and national codes for minimum air gap requirements if installing a spout on the faucet deck.

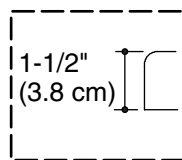
Fixture conforms to ANSI Standard Z124.1.2. All dimensions are nominal.

No change in measurements if connected with drain illustrated. (K-11677 or K-11677M)

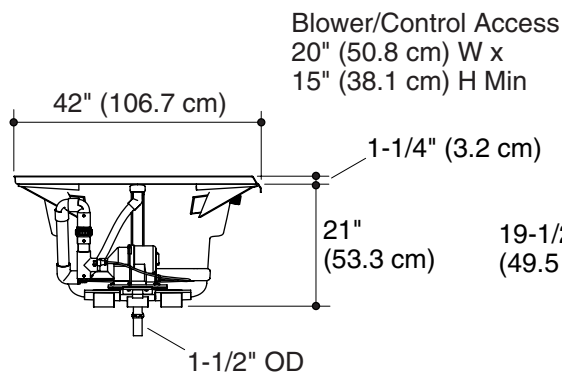
Recommended faucet area



Tile Flange Detail



Drop-In Rim Detail



Blower/Control Access
20" (50.8 cm) W x
15" (38.1 cm) H Min

