

Product Information

| | |
|---|-----------|
| Applicable products: | |
| Bath whirlpool with integral apron and heater – left drain | K-1112-HL |
| Bath whirlpool with integral apron and heater – right drain | K-1112-HR |

| | |
|---|--|
| Fixture*: | |
| Bathing well: | |
| Basin area, bottom | 43" (109.2 cm) x 20-1/2" (52.1 cm) |
| Basin area, top | 53-1/2" (135.9 cm) x 32-1/8" (81.6 cm) |
| Weight | 120 lbs (55 kg) |
| To overflow; | |
| Water depth | 15" (38.1 cm) |
| Capacity | 57 gal (215.9 L) |
| * Approximate measurements for comparison only. | |

| | |
|---|--|
| Drop-in cut-out dimensions: | |
| 58-1/2" (148.6 cm) x 40-1/2" (102.9 cm) | |

| | | | |
|---------|-----|-----|------|
| Pump: | V | Hz | A |
| 1-speed | 120 | 60 | 7.5 |
| Heater | kW | V | Hz |
| | 1.5 | 120 | 60 |
| | | | A |
| | | | 12.5 |

| | |
|------------------------------------|----------|
| Minimum access panel pump/control: | |
| 20" (50.8 cm) W x 15" (38.1 cm) H | required |

**Required Electrical Service
(2 required)**

| | |
|---|--------------------|
| Two dedicated circuits required, both protected with a Class A Ground-Fault Circuit-Interrupter (GFCI): | |
| Pump/control | 120 V, 15 A, 60 Hz |
| Heater | 120 V, 15 A, 60 Hz |
| Locate the outlets behind the whirlpool and within 24" (61 cm) of the pump and, if supplied, heater. | |

Installation Notes

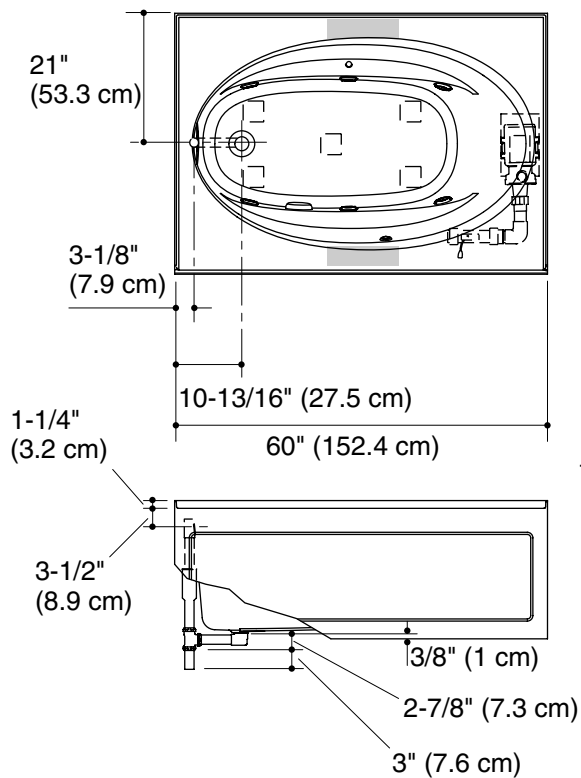
Install this product according to the installation guide.

Floor support under whirlpool must provide for a minimum of 36 lbs/square foot (174 kg/square meter) loading.

If installing a rim-mount faucet, make sure there is no interference with the drain overflow and circulating system before drilling any holes. Consult local and national codes for minimum air gap requirements if installing a spout on the faucet deck.

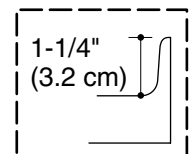
Fixture conforms to ANSI Standard Z124.1.2. All dimensions are nominal.

WINDWARD®



No change in measurements if connected with drain illustrated. (K-11677 or K-11677M)

Recommended faucet area



Tile Flange Detail

