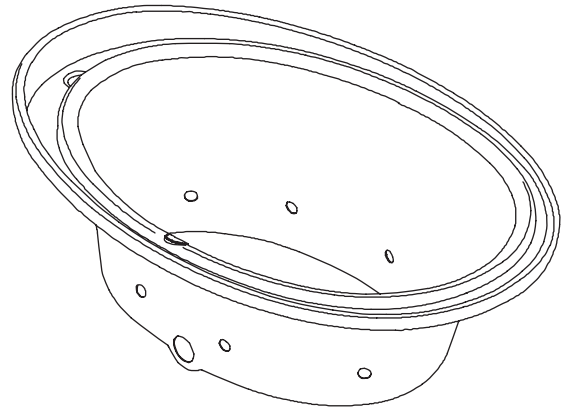


#### Features

- Acrylic
- Coordinates with the Purist® Suite
- 8 Flexjets™
- Less all trim
- Variable speed pump with 1.5 kW heater and back-lit user keypad
- Deep bathing well 21" (53.3 cm)
- 72" (182.9 cm) x 46" (116.8 cm) x 25-11/16" (65.2 cm)



#### Codes/Standards Applicable

Specified model meets or exceeds the following:

- ANSI Z124.1.2
- ASME A112.19.7M
- UL 1795

#### Colors/Finishes

- 0: White
- Other: Refer to Price Book for additional colors/finishes

#### Accessories

- CP: Polished Chrome
- NA: None applicable
- Other: Refer to Price Book for additional colors/finishes

#### Specified Model

Model	Description	Colors/Finishes	
K-1110	Bath whirlpool	<input type="checkbox"/> 0	<input type="checkbox"/> Other_____

Required Accessories			
K-589	Undermount template kit (for undermount installations only)		<input type="checkbox"/> NA
K-7273	Clearflo horizontal overflow bath drain	<input type="checkbox"/> CP	<input type="checkbox"/> Other_____
K-9698	Jet trim kit	<input type="checkbox"/> CP	<input type="checkbox"/> Other_____

Optional Accessories			
K-1491	Pillow	<input type="checkbox"/> 0	<input type="checkbox"/> Other_____
K-1601	Footstop	<input type="checkbox"/> 0	<input type="checkbox"/> Other_____
K-1703	Remote control		<input type="checkbox"/> NA

#### Product Specification

The acrylic bath whirlpool shall be 72" (182.9 cm) in length, 46" (116.8 cm) in width, and 25-11/16" (65.2 cm) in height. Product shall have a variable speed pump with 1.5 kW heater and back-lit user keypad. Product shall have 8 Flexjets. Product shall feature a 21" (53.3 cm) deep bathing well. Product shall be less all trim. Product shall coordinate with Purist Suite. Bath whirlpool shall be Kohler Model K-1110-\_\_\_\_\_.

# PURIST®

## Technical Information

Fixture*:				
Bathing well:				
Basin area, bottom	45" (114.3 cm) x 25-1/2" (64.8 cm)			
Basin area, top	63" (160 cm) x 31-1/2" (80 cm)			
Weight	160 lbs (72.6 kg)			
To overflow:				
Water depth to rim	21" (53.3 cm)			
Capacity	115 gal (435.3 L)			
* Approximate measurements for comparison only.				
Included components:				
Cut-out template (drop-in only)	1016369-7			
Pump	Heater	V	Hz	A
	1.5 kW	240	50/60	15

## Required Electrical Service

Dedicated circuit required, protected with Class A Ground-Fault Circuit-Interrupter (GFCI) or Residual Current Device (RCD):	
Pump/control	220/240 V, 20 A, 50/60 Hz

## Installation Notes

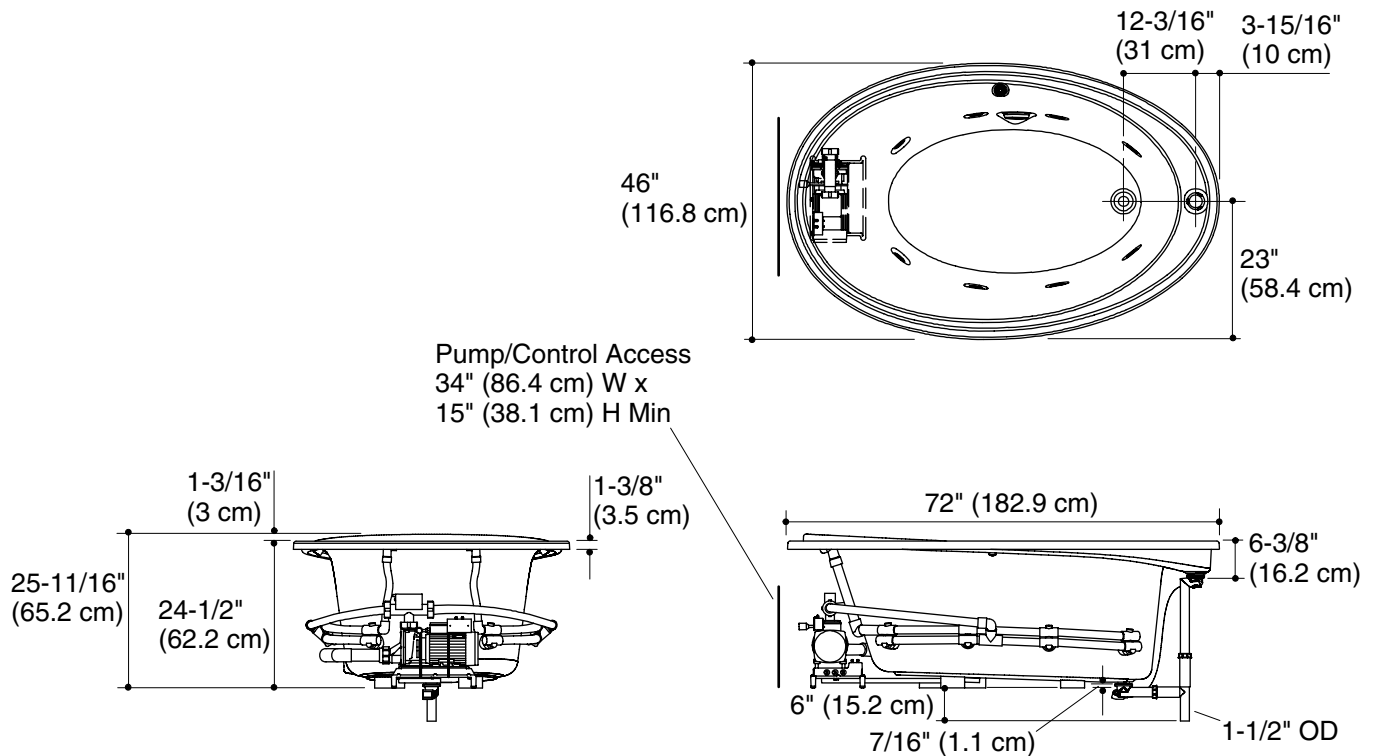
Install this product according to the installation guide.

Pump/piping protrudes beyond rim (see below).

Floor support under whirlpool must provide a minimum of 50 lbs/square foot (243 kg/square meter) loading.

Hot water supply should be 70% of capacity or greater. Installations will vary.

No change in measurements with drain shown. (K-7273)



## Product Diagram