

Features

- Brass construction
- Fixture-mount design
- Includes four 1.5 V AA batteries
- Electronic infrared sensor with TriPoint™ technology for accurate activation
- Intended for urinal installations with 1-1/4" spud coupling connection
- Retrofit models require a control stop and vacuum breaker
- 1.0 gal (3.8 L) per flush flow rate
- Slow-closing piston technology

Codes/Standards Applicable

Specified model meets or exceeds the following:

- ADA
- ICC/ANSI A117.1
- CSA B651
- OBC
- CSA B64
- ASME A112.18.1/CSA B125.1
- ASSE 1037
- FCC 47, Part 15
- EN 55022
- Canadian ICES-003 class B

EXPOSED FLUSH VALVE

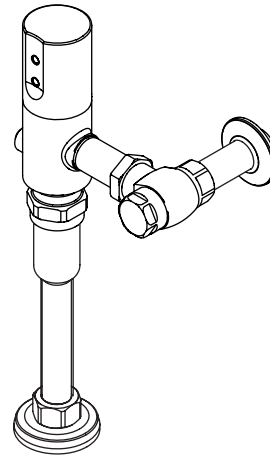
K-10959

ALSO K-10964

ADA

CSA B651

OBC



Colors/Finishes

- CP: Polished Chrome

Specified Model:

Model	Description	Colors/Finishes
K-10959	Exposed flush valve – 1.0 gal (3.8 L) per flush with TriPoint™ technology, blowout	<input type="checkbox"/> CP
K-10964	Exposed flush valve – 1.0 gal (3.8 L) per flush with TriPoint technology, blowout retrofit	<input type="checkbox"/> CP

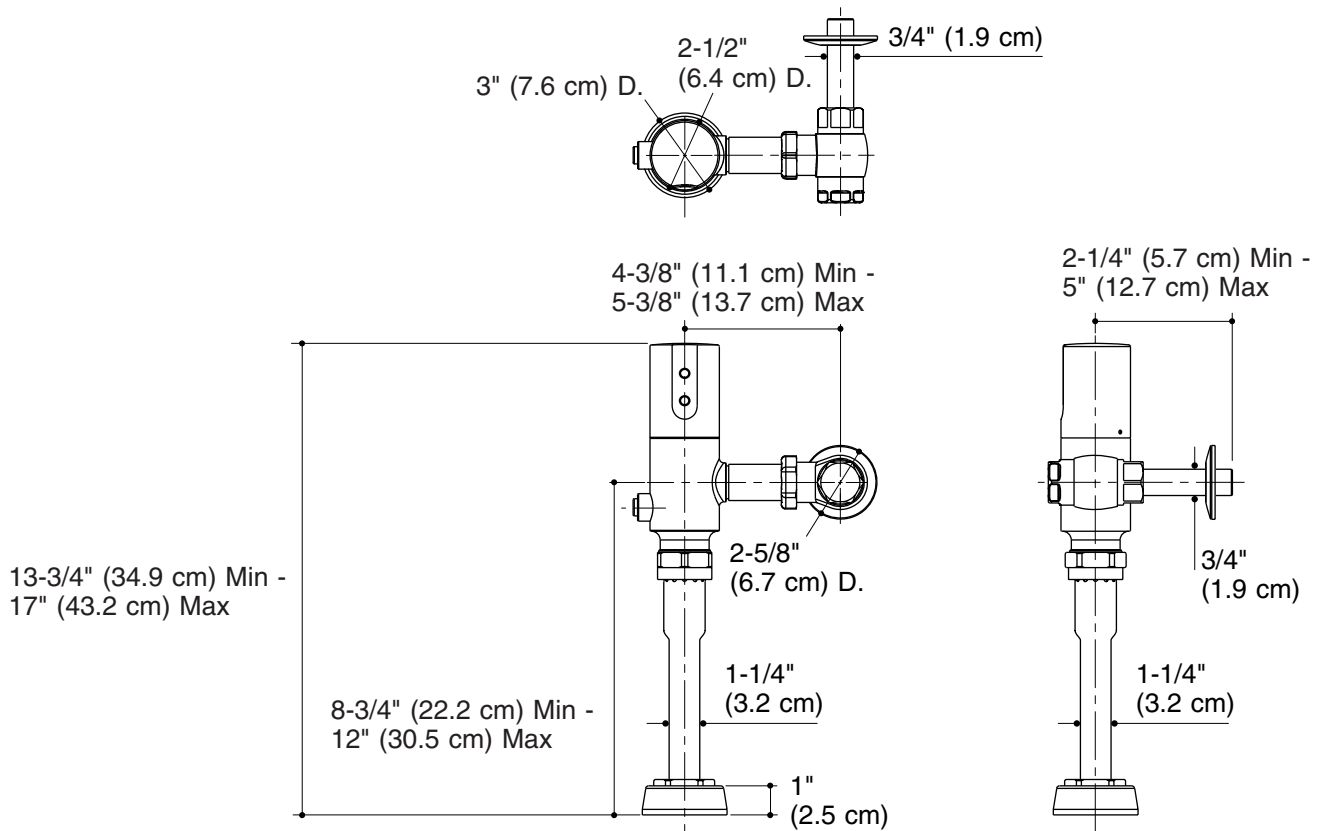
PRODUCT SPECIFICATION

Exposed flush valve shall be made of brass construction. Valve shall feature electronic infrared sensor with TriPoint technology for accurate activation. Valve shall be of a fixture-mount design. Product is intended for urinal installations with a 1-1/4" spud coupling connection and requires a control stop and vacuum breaker. Valve shall have a 1.0 gal (3.8 L) per flush flow rate and slow-closing piston technology. Valve includes four 1.5 V AA batteries. Exposed flush valve shall be Kohler Model K-____-CP.

Installation Notes

Install this product according to the installation guide.

ADA, CSA B651, OBC compliant when installed to the specific requirements of these regulations.



Product Diagram