

Features

- Brass construction
- Fixture-mount design
- Electronic infrared sensor with TriPoint™ technology for accurate activation
- Intended for urinal installations with 3/4" spud coupling connection
- Includes a 1.9 V lithium battery
- Retrofit models require a control stop and vacuum breaker
- 1 gal (3.79 L) per flush flow rate [K-10676, K-10679]
- 0.5 gal (1.9 L) per flush flow rate [K-10675, K-10678]

Codes/Standards Applicable

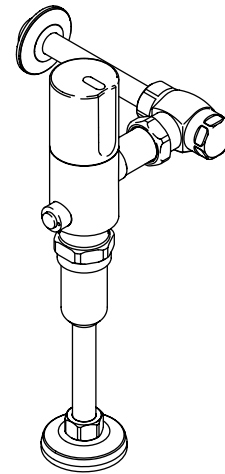
Specified model meets or exceeds the following:

- ASSE 1037
- ASME A112.18.1
- CSA B64
- ADA
- FCC 47, Part 15
- EN 55022
- Canadian ICES-003 class B

**EXPOSED FLUSH VALVE
K-10675**

ALSO K-10676, K-10678, K-10679

ADA



Colors/Finishes

- CP: Polished Chrome

Specified Model:

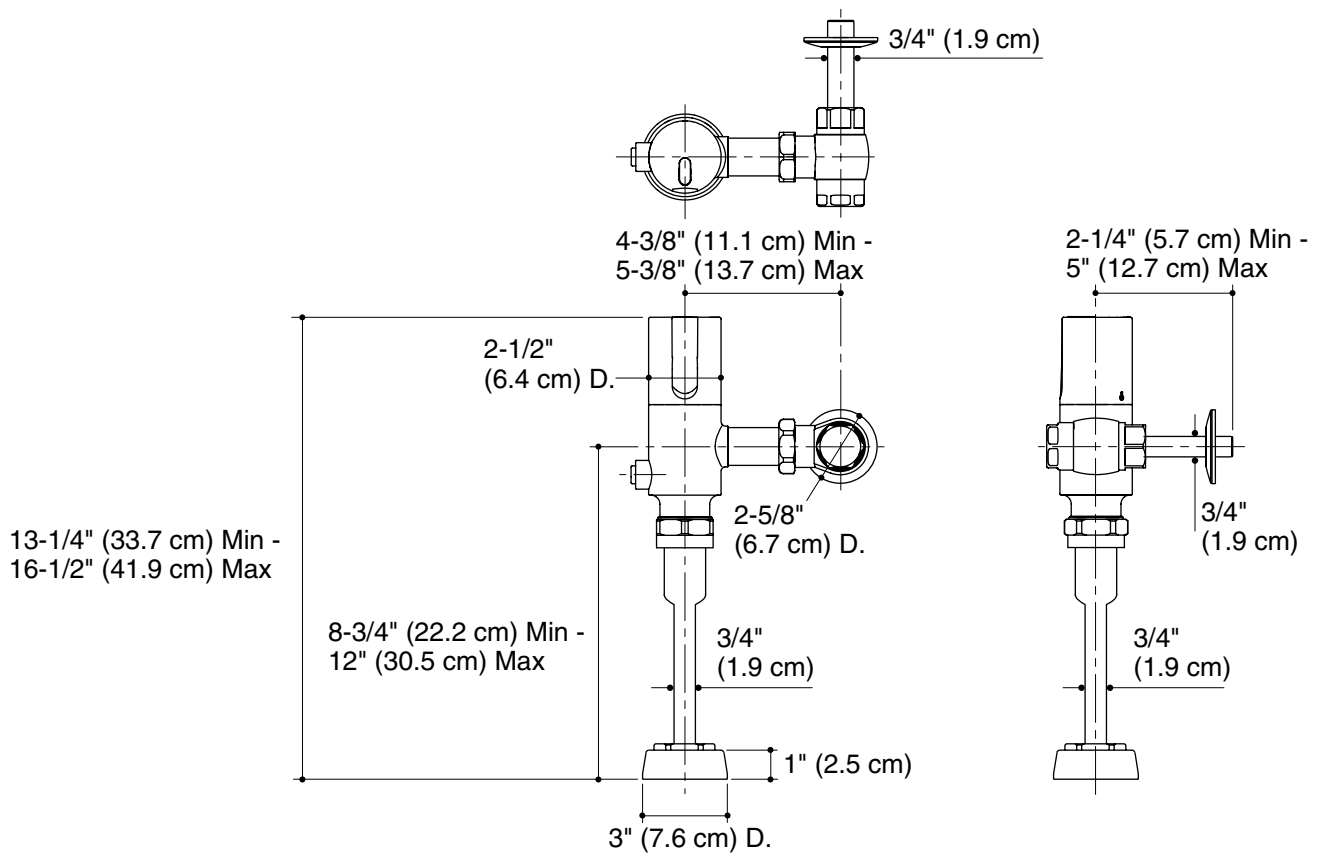
Model	Description	Colors/Finishes
K-10675	Exposed wave flush valve, 0.5 washdown	<input type="checkbox"/> CP
K-10678	Exposed wave flush valve, 0.5 washdown	<input type="checkbox"/> CP
K-10676	Exposed wave flush valve, 1 washdown	<input type="checkbox"/> CP
K-10679	Exposed wave flush valve, 1 washdown	<input type="checkbox"/> CP

PRODUCT SPECIFICATION

Electronic flush valve shall be made of brass construction. Valve shall feature electronic infrared sensor with TriPoint technology for accurate activation. Valve shall be fixture-mount design. Product is intended for urinal installations with a 3/4" spud coupling connection and retrofit models require a control stop and vacuum breaker. Valve shall have a 1 gal (3.79 L) per flush flow rate [K-10676, K-10679] or 0.5 gal (1.9 L) per flush flow rate [K-10675, K-10678]. Valve includes a 1.9 V lithium battery. Exposed flush valve shall be Kohler Model K-____-CP.

Installation Notes

Install this product according to the installation guide.



Product Diagram