

**WIDESPREAD LAVATORY FAUCET
K-10577**

Features



- Metal construction
- Flexible connections for easy installation
- Brass valve bodies
- Reversible quarter-turn washerless ceramic disc valves
- 2.2 gallons (8.3 L) per minute
- Pop-up drain with lift rod and tailpiece
- Lever handles
- Complements Bancroft™ Suite
- 4-7/8" (12.4 cm) spout

Codes/Standards Applicable

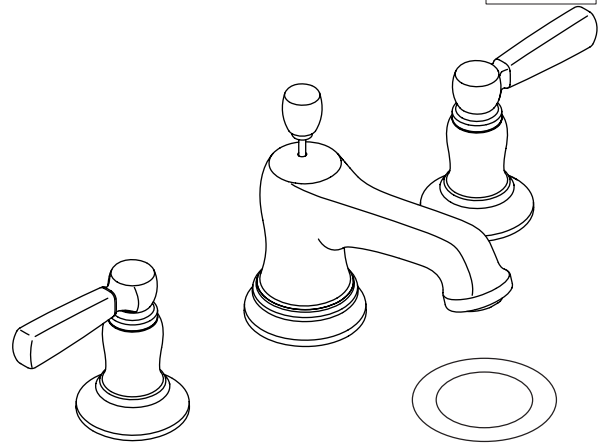
Specified model meets or exceeds the following:

- ASME A112.18.1
- CSA B125
- IAPMO/UPC
- NSF 61
- Energy Policy Act of 1992 (EPACT)
- ADA

Specified Model

Model	Description				
K-10577-4	Lavatory faucet with metal lever handle and metal drain	<input type="checkbox"/> CP	<input type="checkbox"/> Other ____		
K-10577-4P	Lavatory faucet with ceramic lever handle and metal drain			<input type="checkbox"/> CP	<input type="checkbox"/> Other ____

ADA



Colors/Finishes

- CP: Polished Chrome
- Other: Refer to Price Book for additional colors/finishes

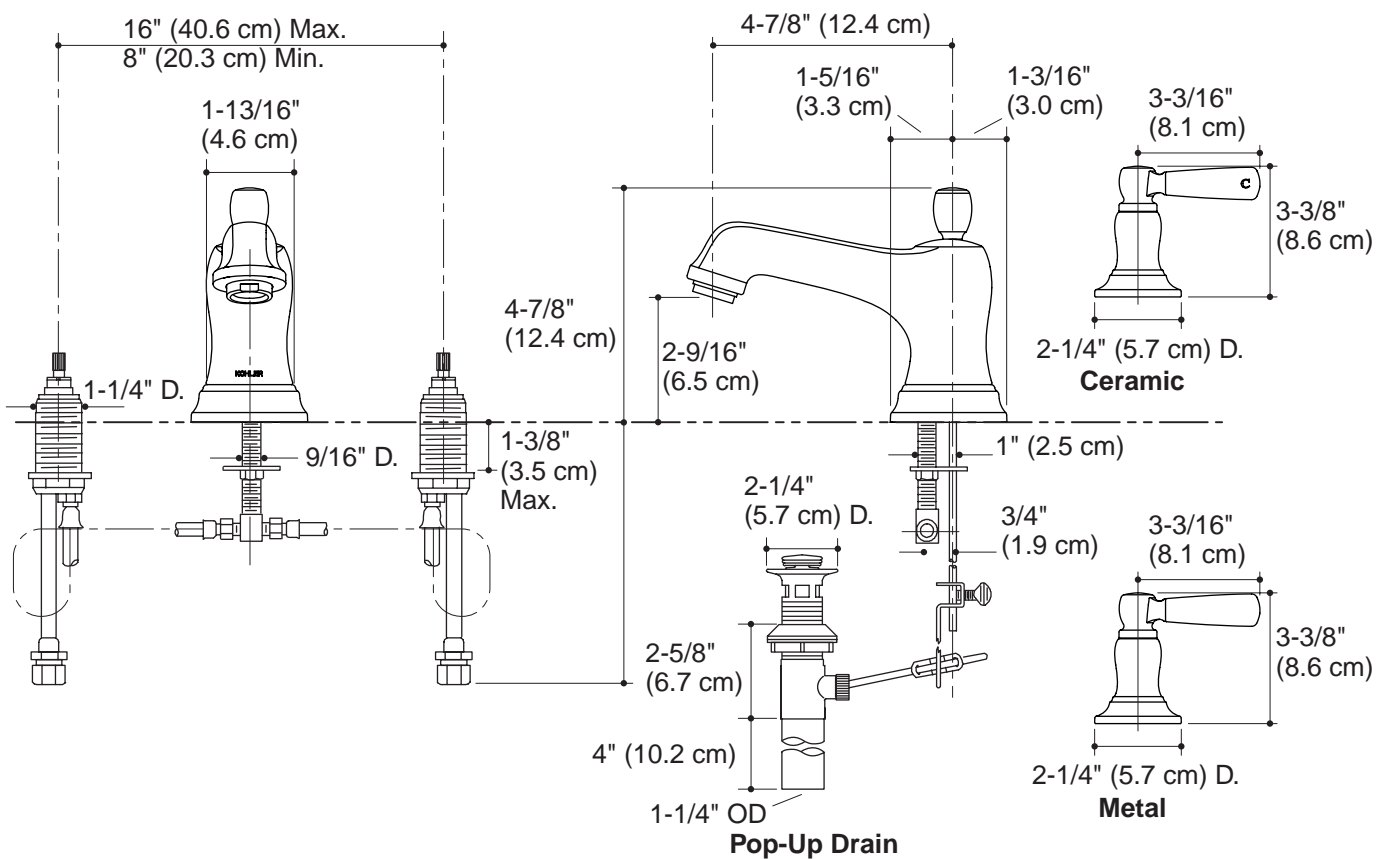
Product Specification

The two-handle widespread lavatory faucet shall be of metal construction with brass valve bodies. Faucet shall have a 2.2 gpm (8.3 lpm) flowrate. Faucet shall feature reversible quarter-turn washerless ceramic disc valves, assuring positive handle stop positioning. Product shall include flexible connections, 4-7/8" (12.4 cm) spout, pop-up drain with lift rod and tailpiece, and lever handles. Product shall complement the Bancroft™ Suite. Faucet shall be Kohler Model K-10577-____-____.

BANCROFT™

Installation Notes

Install this product according to the installation guide.



Product Diagram