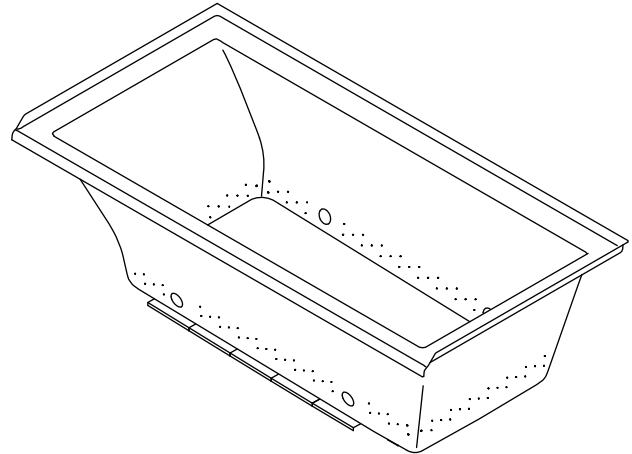


Features

- Acrylic
- Blower motor with 300 W heater and electronic back-lit user control
- 122 BubbleMassage™ airjets
- With Zones of Control™ feature
- Available with chromatherapy [-LGCR, -RGCR]
- Integral 3-sided tiling flange for alcove installation
- 60" (1524 mm) x 30" (762 mm) x 19" (483 mm)

BUBBLEMASSAGE™ BATH K-1167-LFG ALSO K-1167-RFG, K-1167-LGCR, K-1167-RGCR



Codes/Standards Applicable

Specified model meets or exceeds the following:

- CSA B45.5/IAPMO Z124
- ASME A112.19.7
- ASTM E162
- ASTM E662
- UL 1795

Colors/Finishes

- 0: White
- Other: Refer to Price Book for additional colors/finishes

Specified Model

Model	Description	Colors/Finishes	
K-1167-LFG	Integral flange BubbleMassage bath – without chromatherapy, left drain	<input type="checkbox"/> 0	<input type="checkbox"/> Other _____
K-1167-RFG	Integral flange BubbleMassage bath – without chromatherapy, right drain	<input type="checkbox"/> 0	<input type="checkbox"/> Other _____
K-1167-LGCR	Integral flange BubbleMassage bath – with chromatherapy, left drain	<input type="checkbox"/> 0	<input type="checkbox"/> Other _____
K-1167-RGCR	Integral flange BubbleMassage bath – with chromatherapy, right drain (shown)	<input type="checkbox"/> 0	<input type="checkbox"/> Other _____

Required Accessories

K-7271	Clearflo slotted overflow brass bath drain OR	<input type="checkbox"/> CP	<input type="checkbox"/> PB	<input type="checkbox"/> Other _____
K-7272	Clearflo slotted overflow bath drain – PVC pipe	<input type="checkbox"/> CP	<input type="checkbox"/> PB	<input type="checkbox"/> Other _____

Optional Accessories

K-1491	Pillow			<input type="checkbox"/> 0		<input type="checkbox"/> Other _____
K-1601	Footstop			<input type="checkbox"/> 0		<input type="checkbox"/> Other _____
K-1705	Remote control				<input type="checkbox"/> NA	
K-9497	2-1/2" (64 mm) metal finish keypad trim	<input type="checkbox"/> CP	<input type="checkbox"/> PB			<input type="checkbox"/> Other _____

Product Specification

The acrylic BubbleMassage bath shall be 60" (1524 mm) in length, 30" (762 mm) in width, and 19" (483 mm) in height. Bath shall have a blower motor with 300 W heater, and electronic back-lit user control. Bath shall have 122 BubbleMassage airjets. Bath shall be with Zones of Control™ feature. Bath shall have integral 3-sided tiling flange for alcove installation. Bath shall be available with chromatherapy [-LGCR, -RGCR]. Bath shall be Kohler Model K-1167-____-____.

UNDERSCORE®

Technical Information

Fixture*:	
Bathing well:	
Basin area, bottom	42-7/16" (1078 mm) x 20" (508 mm)
Basin area, top	54-5/16" (1380 mm) x 24-1/4" (616 mm)
Weight	100 lbs (45.4 kg)
To overflow:	
Water depth	15-1/8" (384 mm)
Capacity	59.8 gal (226 L)
* Approximate measurements for comparison only.	

Blower motor/control:	Heater	V	Hz	A
	300 W	220-240	50/60	15

Required Electrical Service

Dedicated circuit required, protected with Class A Ground-Fault Circuit-Interrupter (GFCI) or Residual Current Device (RCD):	
Blower motor/control:	220-240 V, 15 A, 50/60 Hz

Installation Notes

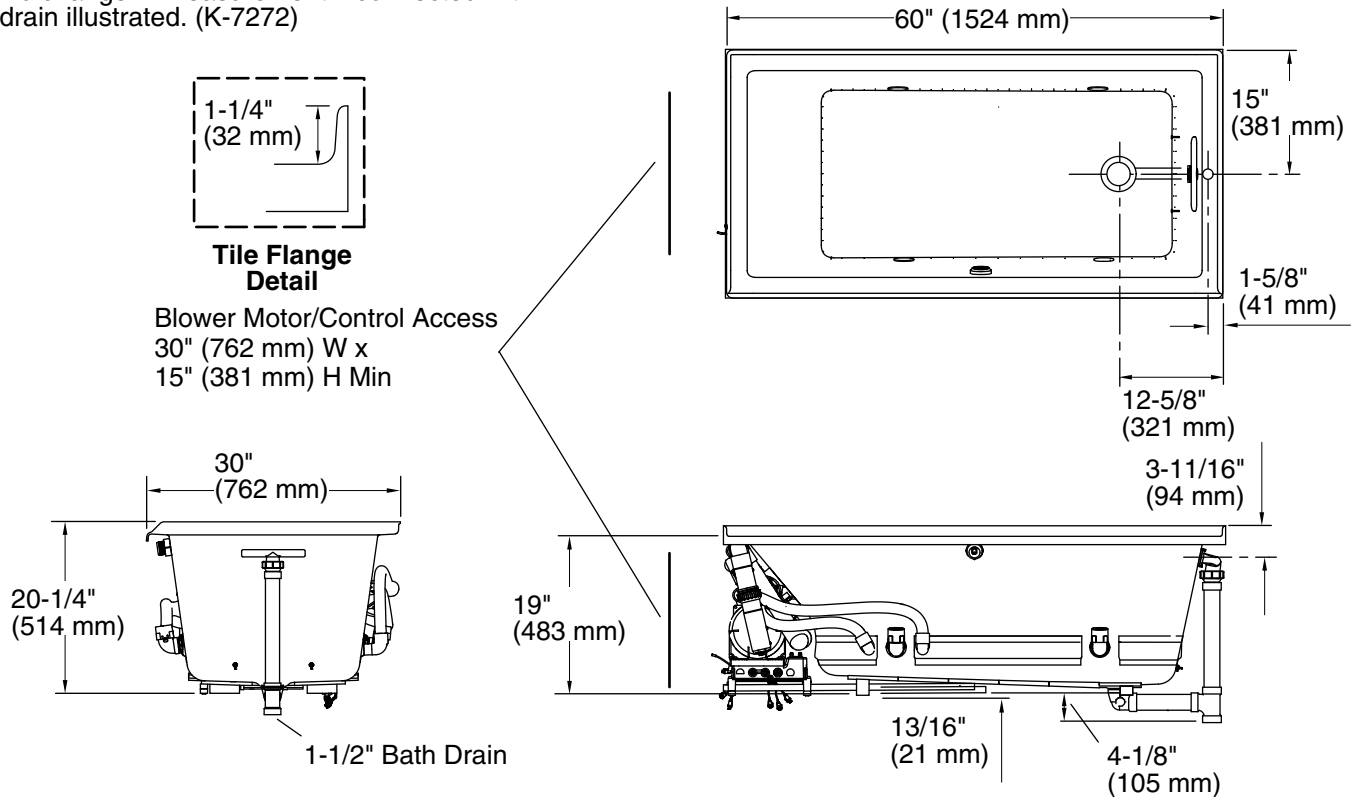
Install this product according to the installation guide.

This unit is not intended for flush-mount apron installation.

Floor support under bath must provide for a minimum of 44 lbs/square foot (212 kg/square meter) loading.

Hot water supply should be 70% of capacity or greater. Installations will vary.

No change in measurement if connected with drain illustrated. (K-7272)



Product Diagram